

THE STYLE B KELLY AUTOMATIC PRESS BOOK OF PARTS



ALWAYS GIVE SERIAL NUMBER OF PRESS WHEN
REFERRING TO PARTS. ORDER PARTS
FROM NEAREST SELLING HOUSE

KELLY PRESS DIVISION
AMERICAN TYPE FOUNDERS COMPANY

MANUFACTURER OF KELLY AUTOMATIC PRESSES
EL MORA AVENUE, ELIZABETH, NEW JERSEY

EDITION F—July, 1927

CLASSIFICATION OF PARTS

ILLUSTRATED BOOK
OF PARTS

For your convenience
has been arranged to
refer to the part of the
Automatic Press
of which

KELLY AUTOMATIC PRESS BOOK OF PARTS



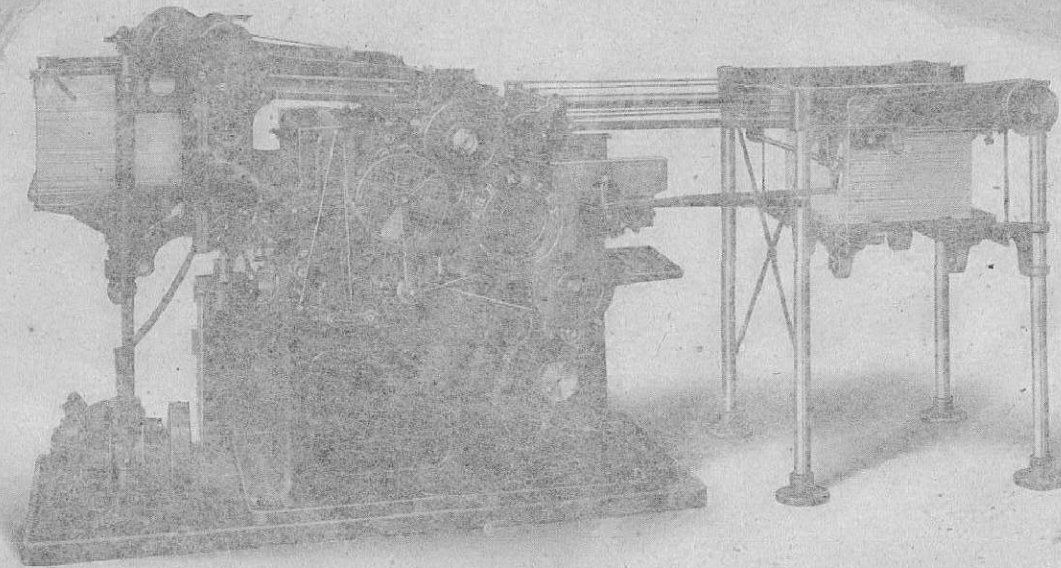
ALWAYS GIVE SERIAL NUMBER OF PRESS WHEN
REFERRING TO PARTS. ORDER PARTS
FROM NEAREST SELLING HOUSE

Motor Brush and Controller Parts on pages 40 to 47

KELLY PRESS DIVISION . . .
AMERICAN TYPE FOUNDERS COMPANY

MANUFACTURER OF KELLY AUTOMATIC PRESSES
EL MORA AVENUE, ELIZABETH, NEW JERSEY

EDITION F—July, 1927



THE KELLY PRESS—WITH EXTENSION DELIVERY AND FAN ATTACHED

Without the Delivery the Press is Equipped with an Automatic Jogger
The Extension Delivery and Fan are Extras

ILLUSTRATED BOOK OF PARTS

For your convenience in case you have occasion to write us and wish to refer to any part of the Kelly Press, Automatic Feeder or Extension Delivery, or to motor brushes or controller parts, we have arranged the following lists and illustrations.

In the column to the right on this page you will find the general group, with the classification and the page number.

The illustrations of the press parts proper will be found on the pages with the lists or on pages opposite. The Automatic Feeder and Extension Delivery illustrations are arranged in closer assembly, and may be more readily located by the position of the part.

Always give serial number of press, feeder, motor or controller when ordering any part of each. The serial number of press is stamped on end of cylinder shaft on gear side and on top of tracks at delivery end. The serial number of feeder is stamped on gear side of frame directly under gears. Serial number of motor is stamped on name plate on top of motor, and controller serial number and data is stamped on plate on panel.

CLASSIFICATION OF PARTS

PRESS

	Page
Column Parts	4
Motor Drive Parts	4
Bed Movement Parts	6
Tracks and Slider Parts	8
Air Spring Parts	8
Air Cylinder Piping	8
Cylinder and Housing Parts	10
Cylinder Raising and Lowering Parts	12
Gripper and Shoofly Operating Parts	14
Inking Mechanism	16
Vibrator Operating Mechanism	16
Delivery Parts	18
Feed Board Parts	20
Gear Cover, Counter and Miscellaneous Parts	20
Jogger Board and Operating Parts	22
Fan Parts	23

EXTENSION DELIVERY

Parts	24-25
-----------------	-------

FEEDER

Transmission Parts	26
Blower Parts	26
Paper Lift Table Parts	28
Blast and Suction Parts	28
Double Roll Parts	29
Suction Tube Parts	29
Feed Starting Parts	29
Two Sheet Stop Parts	32
Caliper Parts	32
Sheet Conveyor Parts	32
Sheet Detainer and Detector Parts	33
Snap Guide Parts	34
Impression Throw-Off Parts	34
Frames, Plates, Guards, Rods, for Paper Separating Parts	36
Frames, Plates, Rods, for Conveyor Parts	36

MOTOR BRUSHES AND CONTROLLER PARTS

Brushes	40
Controllers	41-47

COLUMN PARTS

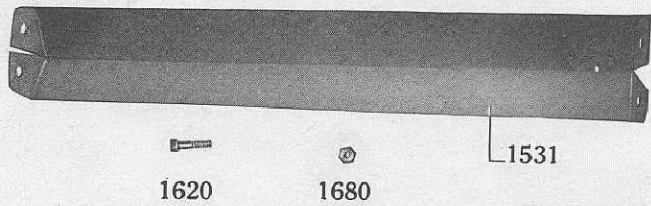
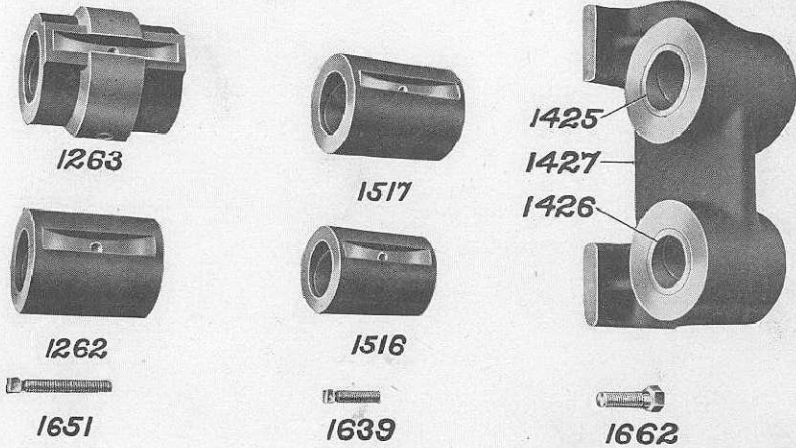
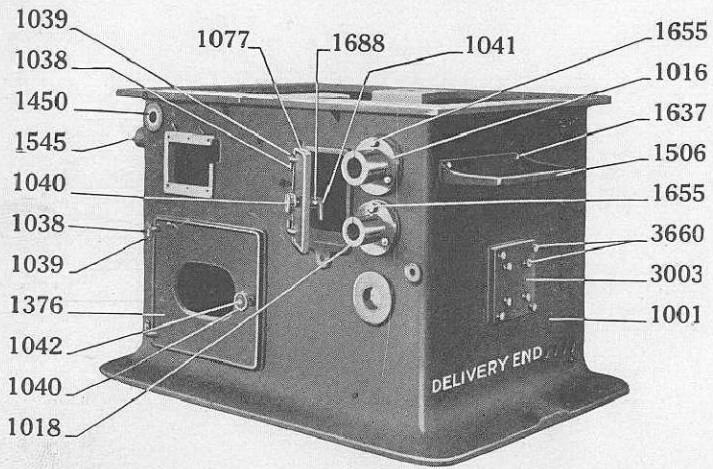
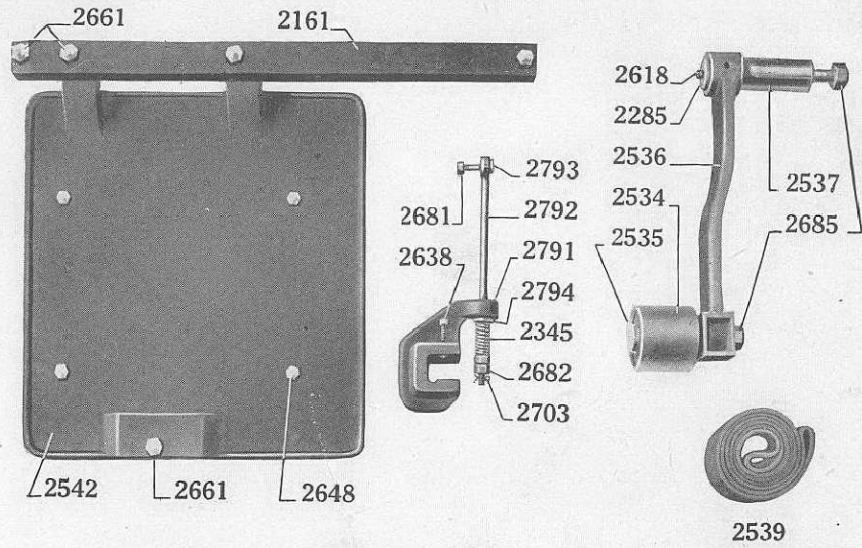
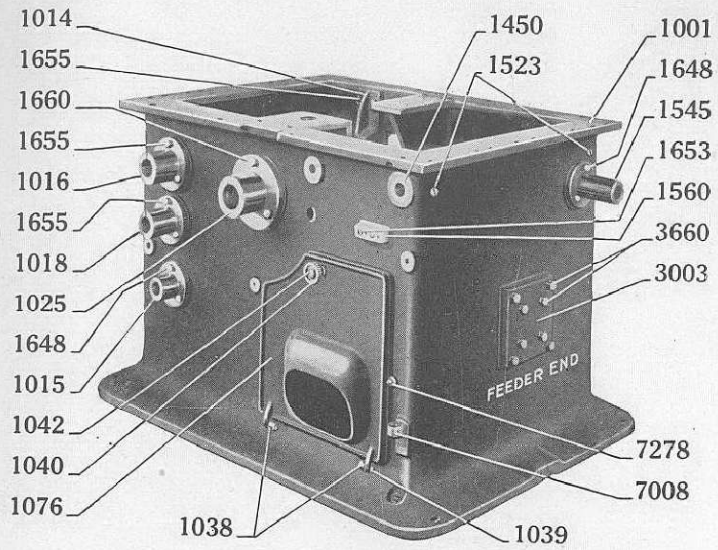
1001	Machine Column
1490	Floor Plate
1665	Plate Screw [Holds Column to Floor Plate]
1863	Screw Washer
1861	Floor Plate Clamp
1025	Crank Shaft Bushing
1660	Bushing Screw
1015	Pulley Shaft Bearing [Feeder Side]
	Pulley Shaft Bearing [Gear Side]
	See sheet 21, No. 13094
1648	Bearing Screw
1018	Hand Wheel Shaft Bearing
1655	Bearing Screw
1016	Intermediate Driving Shaft Bearing
1655	Bearing Screw
1262	Hand Wheel Shaft Center Bearing [Straight]
1263	Intermediate Driving Shaft Center Bearing
	[Straight]
1651	Bearing Screw
1516	Hand Wheel Shaft Center Bearing [Taper]
1517	Intermediate Driving Shaft Center Bearing
	[Taper]
1639	Bearing Screw
1426	Hand Wheel Shaft Center Bearing
1425	Intermediate Driving Shaft Center Bearing
1427	Center Bearing Bracket
1662	Bracket Screw
1014	Ink Mechanism Cam Shaft Bracket
1655	Bracket Screw
1545	Ink Mechanism Cam Shaft Bearing
1648	Bearing Screw
1450	Impression Lever Shaft Bushing
1523	Bushing Set Screw
1076*	Column Door [Feeder Side]
1077*	Small Column Door [Gear Side]
1376*	Large Column Door [Gear Side]
1038*	Hinge Lug
1039*	Hinge Pin
1703*	Cotter Pin
1041*	Door Latch
1688*	Latch Pin
1040*	Latch Handle [Gear Side]
1052*	Latch Handle [Feeder Side]
1254*	Handle Pin
1042*	Latch Shaft

* Discarded

1560	Impression Connection Lever Stop Block
1653	Block Screw
1506	Tool Tray [Small]
1637	Tray Screw
1073	Tool Tray [Large] See sheet 21, No. 13073
1633	Tray Screw
1531	Oil Drip Pan
1620	Pan Screw
1680	Screw Nut
1891	Roller Racks (2)

MOTOR DRIVE PARTS

2542	Motor Base Plate
2661	Plate Screw
2161	Support Bar
2661	Bar Screw
2534	Motor Belt Tightener Pulley
2535	Pulley Stud
2685	Stud Nut
2536	Pulley Arm
2537	Arm Stud
2685	Stud Nut
2285	Arm Stud Head
2618	Head Screw
2791	Motor Belt Tightener Bracket
2638	Bracket Screw
2792	Motor Belt Tightener Rod
2682	Rod Nut
2794	Rod Washer
2703	Rod Cotter Pin
2793	Rod Stud
2681	Stud Nut
2345	Rod Spring
2539	Motor Belt
2648	Motor Screw [D C]
2644	Motor Bolt [D C]
2275	Motor Guard [A C]
2611	Guard Screw
2782	Motor Elevating Frame [A C]
2649	Frame Screw
2644	Frame Bolt
2794	Screw Washer
2655	Motor Screw [A C]

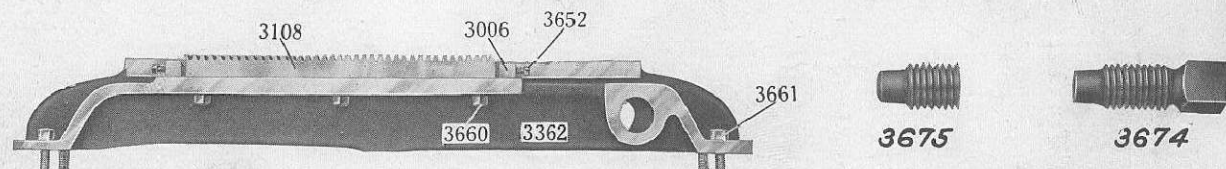
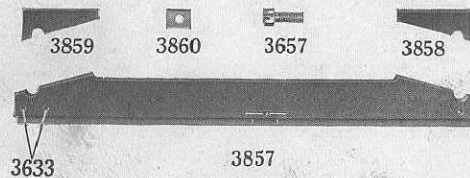


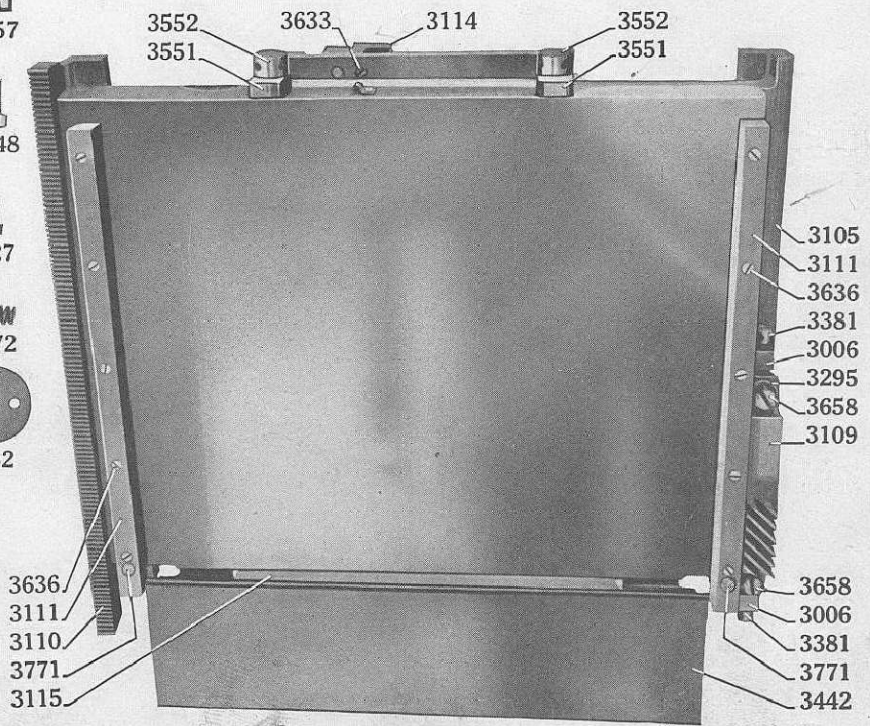
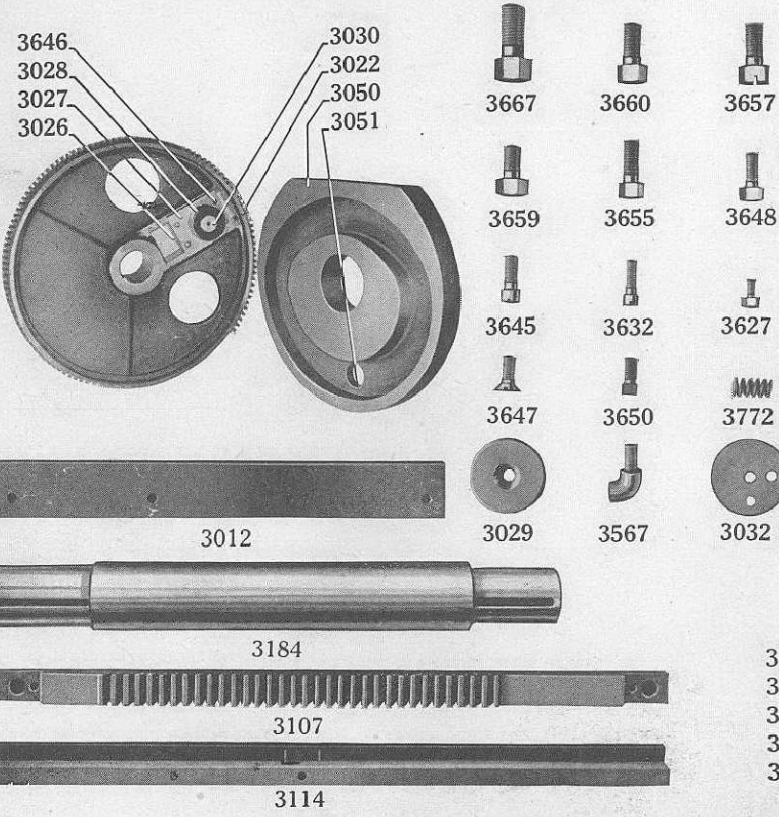
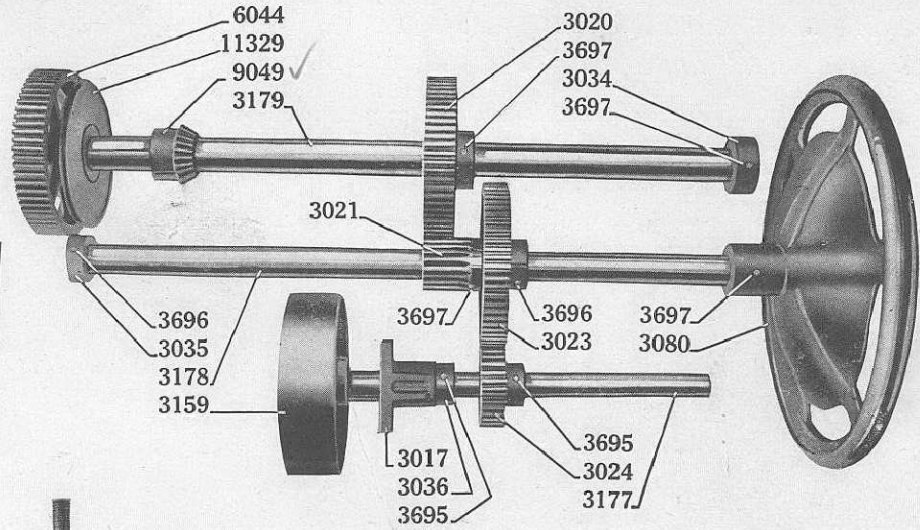
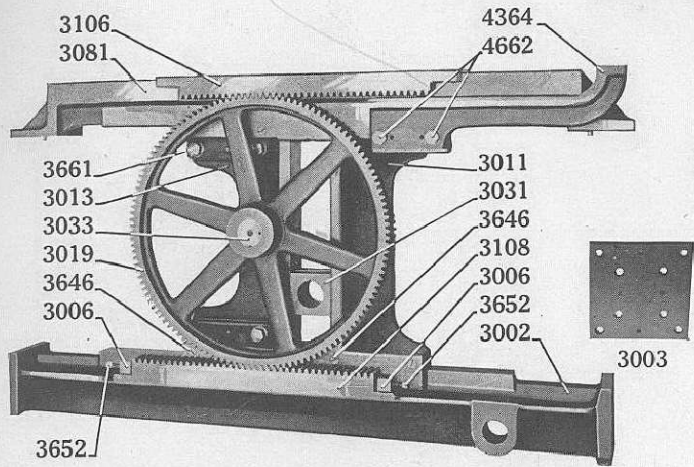
BED MOVEMENT PARTS

3105	Type Bed	3144	Crank Cam [2¼ inches deep]—See Note 2	3660	Guide Screw
3114	Bed Gib	3667	Cam Screw	3003	Column Cap
3633	Gib Screw	3051	Cam Plug [for 1½ inch cam]	3660	Cap Screw
3857	Bed Gib [Wedge Type]	3762	Cam Plug [for 2¼ inch cam]	3362	Lower Cross Head Guide
3633	Gib Screw	3627	Plug Screw	3661	Guide Screw
3858	Gib Adjusting Wedge [Delivery End]	3028	Cam Roll	3177	Pulley Shaft [Short]
3859	Gib Adjusting Wedge [Feeder End]	3022	Crank Gear	3123	Pulley Shaft [Long] See sheet 21, No. 13123
3657	Wedge Clamp Screw	3645	Gear Retaining Screw	3036	Shaft Collar
3860	Screw Washer	3816	Gear Key	3695	Collar Pin
3112	Bed Roller Shoe	3184	Gear Shaft	3024	Shaft Gear
3625	Shoe Screw	3030	Crank Pin [for 1½ inch cam]—See Note 1	3695	Gear Pin
3111	Bed Bearer	3761	Crank Pin [for 2¼ inch cam]—See Note 2	3675	Gear Screw
3636	Bearer Screw	3029	Pin Washer	3808	Gear Key
3724	Bed Lock-up Bars (See page 20)	3647	Washer Screw	3017	Shaft Bracket
3771	Cylinder Brake Plug	3026	Guide Block	3655	Bracket Screw
3772	Plug Spring	3027	Block Cap	3159	9 inch Pulley
3106	Traveling Gear Bed Rack	3646	Cap Screw	3650	Pulley Set Screw
3657	Rack Screw	3019	Traveling Gear	3080	Hand Wheel
3107	Segment Gear Bed Rack	3033	Gear Stud	3697	Hand Wheel Pin
3657	Rack Screw	3654	Stud Set Screw	3178	Shaft
3110	Distributor Roll Rack [16 pitch]	3032	Stud Washer	3023	Shaft Gear
3092	Distributor Roll Rack [10 pitch]	3648	Washer Screw	3696	Gear Pin
3632	Rack Screw	3567	Gear Oil Elbow	3674	Gear Screw
3109	Register Rack	3108	Traveling Gear Stationary Rack	3808	Gear Key
3658	Rack Screw	3659	Rack Screw [Used with 3002]	3035	Shaft Collar
3295	Screw Washer	3660	Rack Screw [Used with 3362]	3696	Collar Pin
3006	Rack Stop Plug	3006	Rack Stop Plug	3021	Driving Pinion
3381	Rack Adjusting Screw	3652	Rack Adjusting Screw	3697	Pinion Pin
3442	Ink Plate	3011	Cross Head Frame	3675	Pinion Screw
3660	Plate Screw	3013	Cross Head Tie	3810	Pinion Key
3115	Head Form Clamp	3661	Tie Screw	3179	Intermediate Driving Gear Shaft
3660	Clamp Screw	3012	Cross Head Gib	3034	Shaft Collar
3551	Chase Clamp	3646	Gib Screw	3697	Collar Pin
3552	Clamp Screw	3031	Cross Head Slide Block	3020	Intermediate Gear Driving Crank Gear
3050	Crank Cam [1½ inches deep]—See Note 1	3081	Upper Cross Head Guide	3697	Gear Pin
		6630	Guide Screw	3674	Gear Screw
		3002	Lower Cross Head Guide	3809	Gear Key

Note 1.—On presses up to 184, except 173, 175, 176, 178.

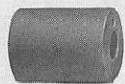
Note 2.—On presses 173, 175, 176, 178, 185 and up.





TRACKS AND SLIDER PARTS

4084	Feeder Side Outer Track
4085	Gear Side Outer Track
4667	Outer Track Screw
4082	Feeder Side Inner Track
4083	Gear Side Inner Track
4660	Inner Track Screw
4113	Track Roller Shoe
4635	Shoe Screw
4201	Outer Track End Plate
4202	Inner Track End Plate
4637	End Plate Screw
4364	Slider Connection Bracket
4662	Bracket Screw
4367	Cross Bar
4631	Bar Screw
4368	Block
4618	Block Screw
4884	Slider Connection Head
4648	Screw
4366	Slider Side Plate [Long] [Feeder Side]
4365	Slider Side Plate [Long] [Gear Side]
4200	Slider Side Plate [Short]
4195	Slider Spacing Piece
4624	Spacing Piece Screw
4194	Bed Roller [Solid]
4255	Bed Roller [With Hole]
4256	Roller Pin
4239	Slider Side Plate [Long] [Feeder Side]
4238	Slider Side Plate [Long] [Gear Side]
4237	Slider Side Plate [Short]
4844	Plate Connection Pin
4195	Slider Spacing Piece
4624	Spacing Piece Screw



4255



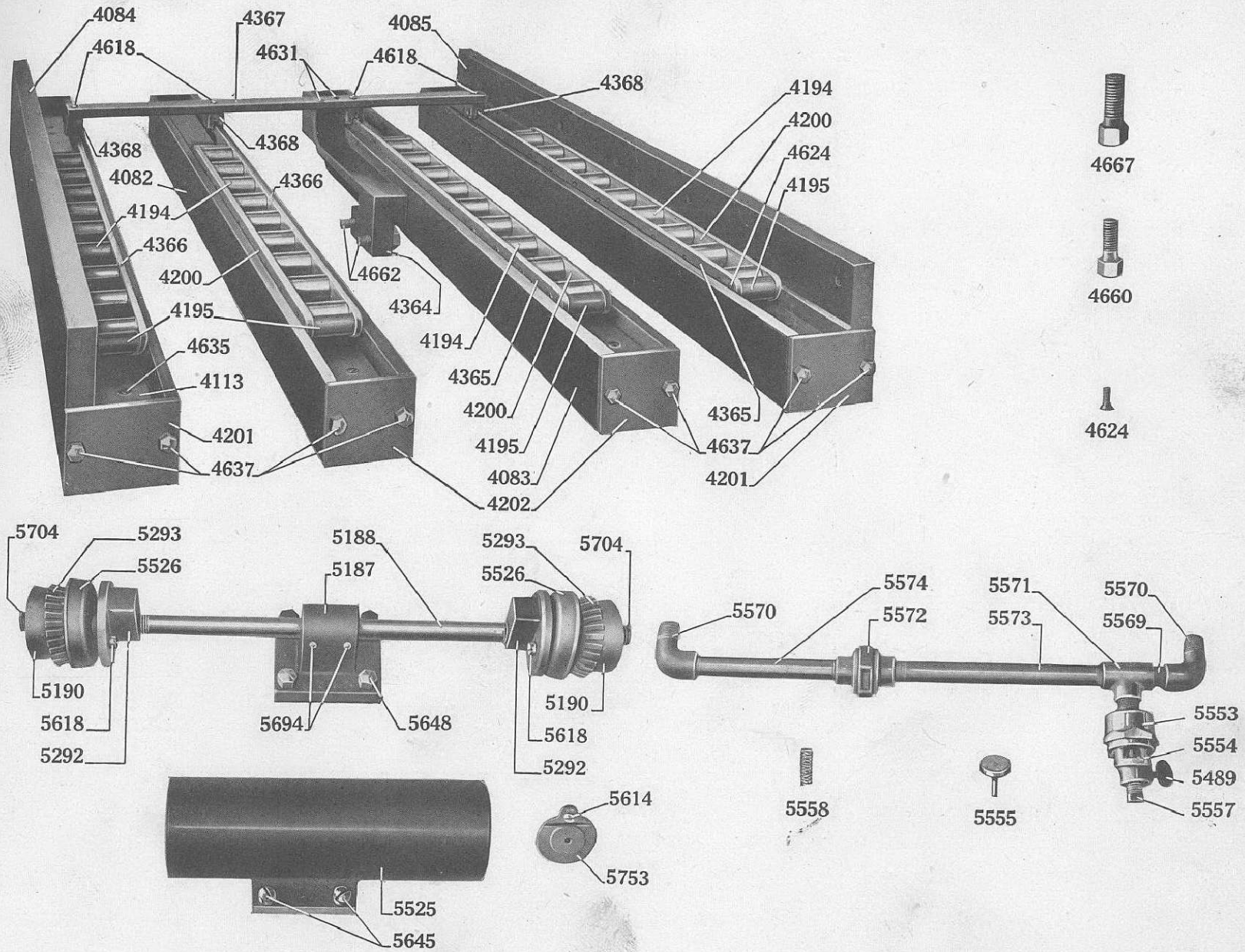
4256

AIR SPRING PARTS

5525	Air Cylinder
5645	Cylinder Screw
5187	Plunger Bracket
5648	Bracket Screw
5188	Plunger Stem
5694	Stem Pin
5704	Stem Cotter Pin
5526	Plunger Cup
5293	Cup Spring
5190	Cup Expander Head
5618	Head Screw
5292	Plunger Follower Head
5753	Valve [Assembled]
5614	Valve Screw

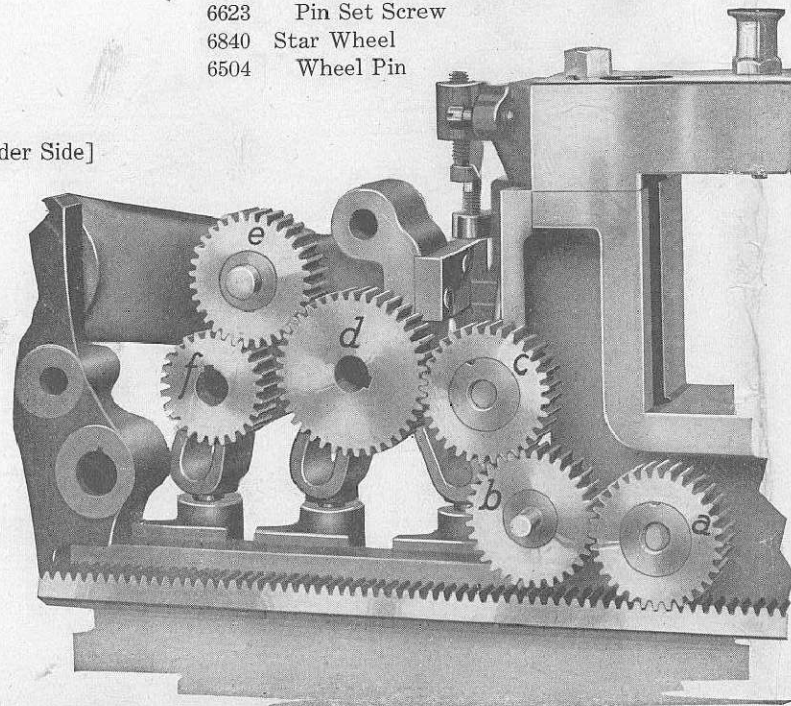
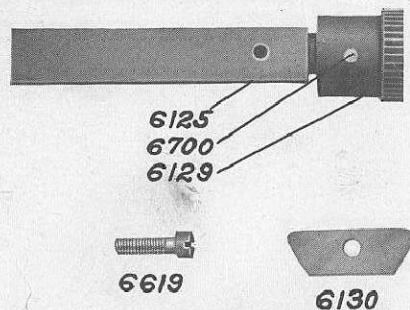
AIR CYLINDER PIPING

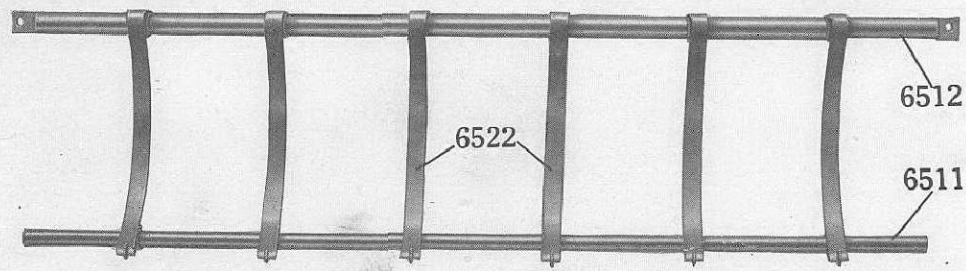
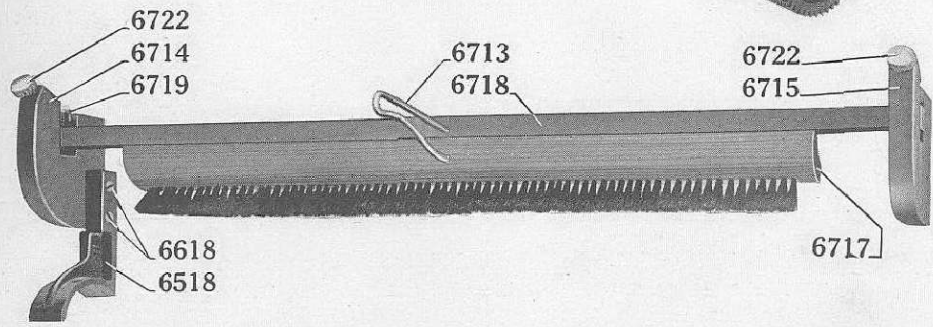
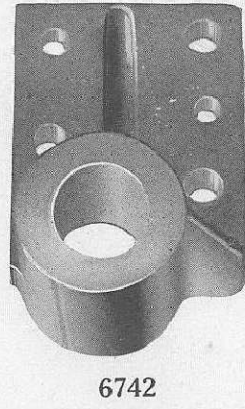
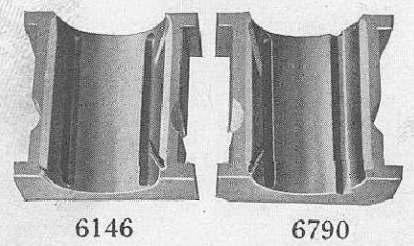
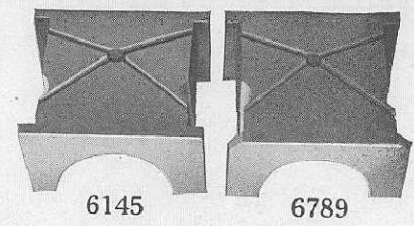
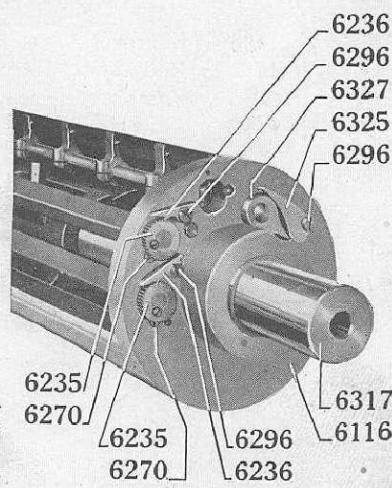
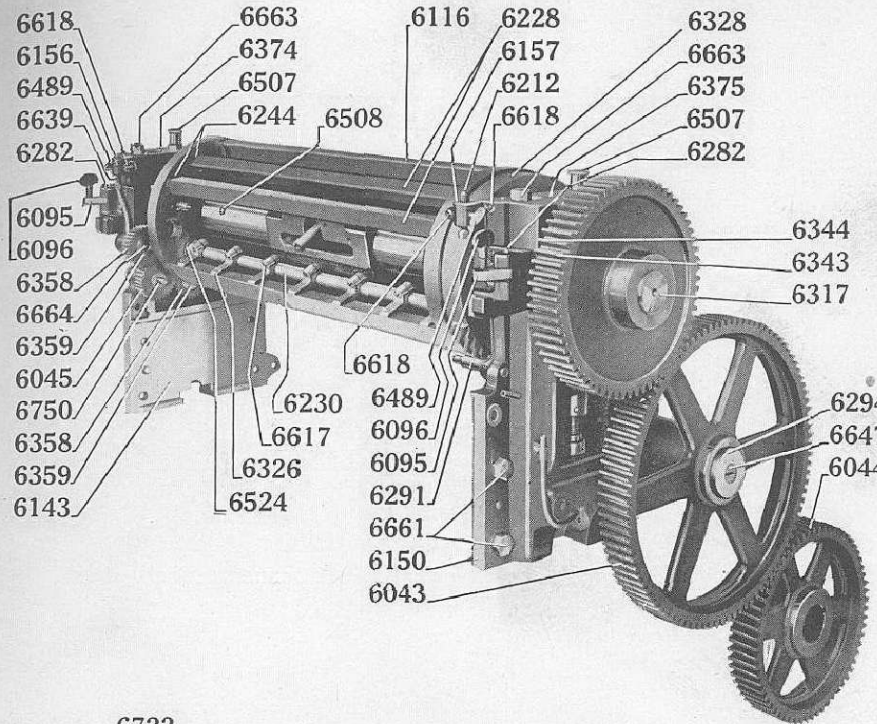
5569	3/8 inch Nipple
5570	3/8 inch Street Elbow
5571	3/8 inch Tee
5572	3/8 inch Union
5573	3/8 inch Pipe, 7/4 inches long
5574	3/8 inch Pipe, 5 1/2 inches long
5553	Relief Valve Body
5554	Valve Bonnet
5555	Valve
5558	Valve Spring
5557	Spring Adjusting Screw
5489	Adjusting Screw Set Screw
5758	Brass Shoe



CYLINDER AND HOUSING PARTS

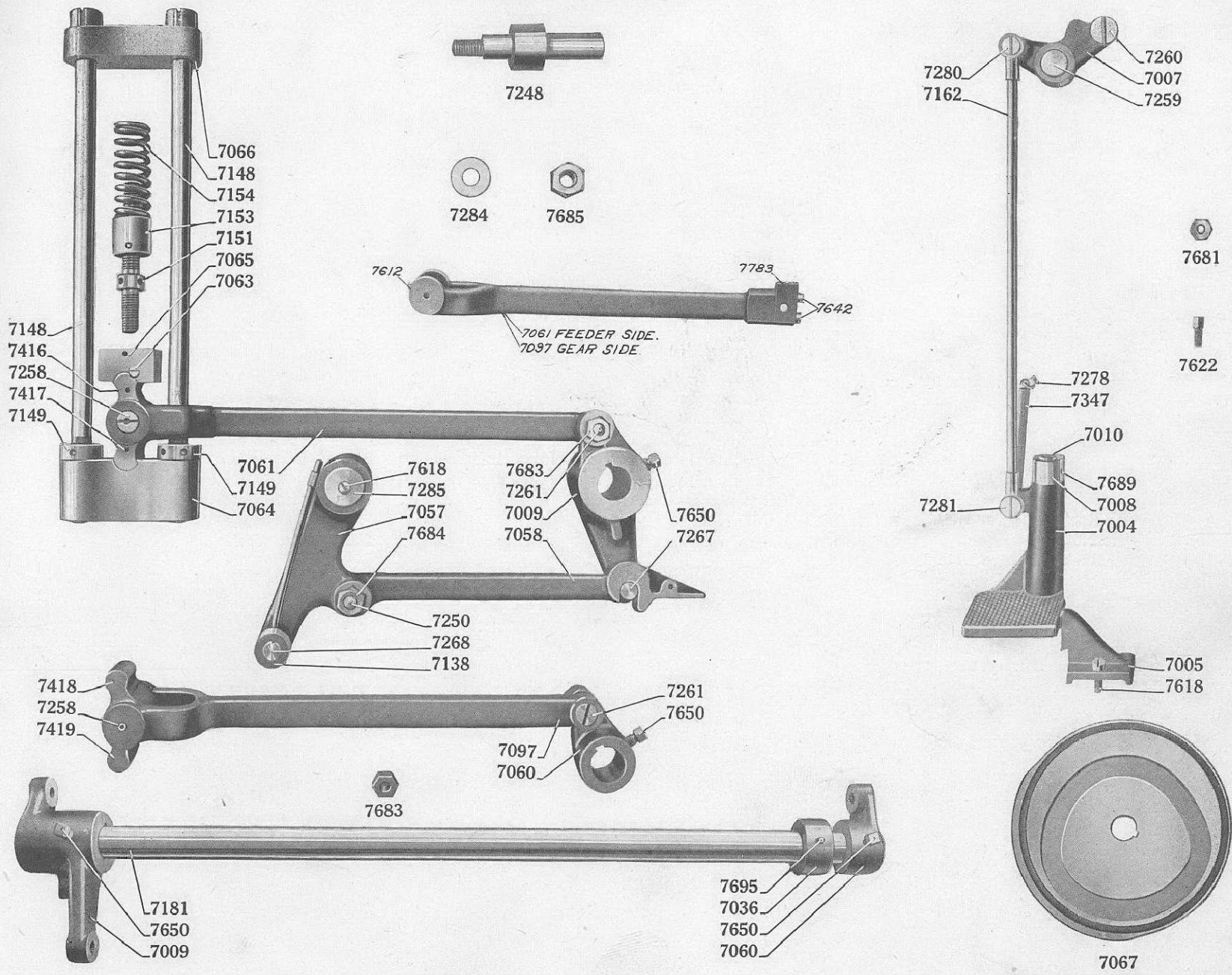
6116	Impression Cylinder	6236	Ratchet Pawl	6639	Rest Screw [Feeder Side]
6317	Cylinder Shaft	6296	Pawl Stud	6489	Rest Screw Set Screw
6508	Shaft Oil Hole Cover	6143	Feeder Side Housing	6758	Brass Shoe
6328	Cylinder Segment Gear—(Press No. necessary)	6150	Gear Side Housing	6157	Feed Board Rest Bracket [Gear Side]
6660	Gear Screw	6661	Housing Screw	6618	Bracket Screw
6343	Cylinder Gear—(Order with 6344)	6145	Upper Half Cylinder Bearing [Feeder Side]	6212	Rest Screw [Gear Side]
6814	Gear Key	6146	Lower Half Cylinder Bearing [Feeder Side]	6489	Rest Screw Set Screw
6697	Gear Pin	6789	Upper Half Cylinder Bearing [Gear Side]	6758	Brass Shoe
6344	Cylinder Spring Gear—(Order with 6343)	6790	Lower Half Cylinder Bearing [Gear Side]	6714	Brush Bar Bracket [Feeder Side]
6345	Gear Spring	6374	Feeder Side Housing Cap	6715	Brush Bar Bracket [Gear Side]
6043	Cylinder Intermediate Gear	6375	Gear Side Housing Cap	6629	Bracket Screw
6247	Gear Stud	6663	Housing Cap Screw	6717	Brush Back [Filled]
6294	Stud Head	6507	Cylinder Oil Cup	6718	Brush Back Bar
6647	Head Screw	6358	Intermediate [Driving Vibrators] Gear [a and c] 16 pitch—(Press No. necessary)	6719	Brush Adjusting Screw
6638	Stud Set Screw	6090	Intermediate [Driving Vibrators] Gear [a and c] 10 pitch—(Press No. necessary)	6722	Brush Clamp Screw
6742	Stud Bracket	6359	Gear Bearing Sleeve	6713	Sheet Band
6661	Bracket Screw	6664	Sleeve Screw	6621	Band Set Screw
6044	Intermediate Driving Shaft Gear (adjustable)	6045	Intermediate [Driving Vibrators] Gear [b] 16 pitch—(Press No. necessary)	6339	Cylinder Rear Guard
6697	Gear Pin	6091	Intermediate [Driving Vibrators] Gear [b] 10 pitch—(Press No. necessary)	6620	Guard Screw
6675	Gear Screw	6750	Gear Stud	6291	Guard Pin [Gear Side]
6812	Gear Key	6684	Stud Nut	6522	Cylinder Rear Sheet Band [Assembled]
6326	Packing Clamp	6518	Vibrator Gear Cover	6512	Sheet Band Shaft [Upper]
6617	Clamp Binding Screw	6618	Cover Screw	6618	Shaft Screw
6230	Clamp Shaft	6095	Vibrator Roll Arm Latch	6511	Sheet Band Shaft [Lower]
6524	Shaft Collar	6096	Latch Screw	6856	Shaft Pin [Gear Side]
6327	Clamp Arm	6628	Latch Hinge Pin	6623	Pin Set Screw
6700	Arm Pin	6156	Feed Board Rest Bracket [Feeder Side]	6840	Star Wheel
6325	Clamp Cam	6618	Bracket Screw	6504	Wheel Pin
6296	Cam Stud				
6228	Packing Winding Shaft				
6244	Shaft Bushing				
6270	Bushing Retaining Screw				
6235	Shaft Ratchet				
6621	Ratchet Screw				
6125	Packing Winding Shaft [With long hub ratchet]				
6129	Shaft Ratchet				
6700	Ratchet Pin				
6130	Shaft Keeper Plate				
6619	Plate Screw				





CYLINDER RAISING AND LOWERING PARTS

7416	Feeder Side Upper Toggle	7138	Cam Roll	7783	Connection Head
7417	Feeder Side Lower Toggle	7268	Roll Stud	7642	Head Screw
7418	Gear Side Upper Toggle	7248	Cam Lever Stud	7261	Connection Stud
7419	Gear Side Lower Toggle	7285	Stud Head	7683	Stud Nut
7063	Toggle Retaining Screw	7618	Head Screw	7004	Impression Throw-Off Pedal
7258	Toggle Hinge Pin	7284	Cam Lever Stud Washer	7005	Pedal Latch Bracket
7612	Pin Lock Screw	7685	Stud Nut	7618	Bracket Screw
7065	Upper Toggle Bearing	7058	Impression Release Connection	7010	Pedal Guide Rod
7064	Lower Toggle Bearing	7250	Connection Stud	7008	Guide Rod Support
7148	Impression Bolt	7684	Stud Nut	7689	Support Pin
7149	Bolt Lock Nut	7009	Connection Lever	7347	Pedal Spring
7066	Impression Cylinder Bearing Strap	7813	Lever Key	7278	Spring Pin
7154	Cylinder Lift Spring	7650	Lever Set Screw	7162	Throw-Off Connection [Assembled]
7151	Spring Adjusting Screw	7267	Lever Stud	7280	Connection Stud [Upper]
7153	Adjusting Screw Nut	7689	Stud Pin	7681	Stud Nut
7067	Impression Cam	7181	Impression Lever Shaft	7281	Connection Stud [Lower]
7697	Cam Pin	7036	Shaft Collar	7007	Throw-Off Lever
7674	Cam Screw	7695	Collar Pin	7259	Lever Stud
7817	Cam Key	7060	Impression Lever	7622	Stud Screw
7057	Cam Lever	7811	Lever Key	7260	Throw-Off Connection Lift Stud
		7650	Lever Set Screw	7681	Lift Stud Nut
		7061	Impression Toggle Connection [Feeder Side]		
		7097	Impression Toggle Connection [Gear Side]		

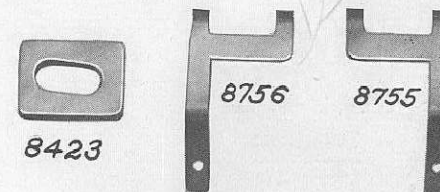


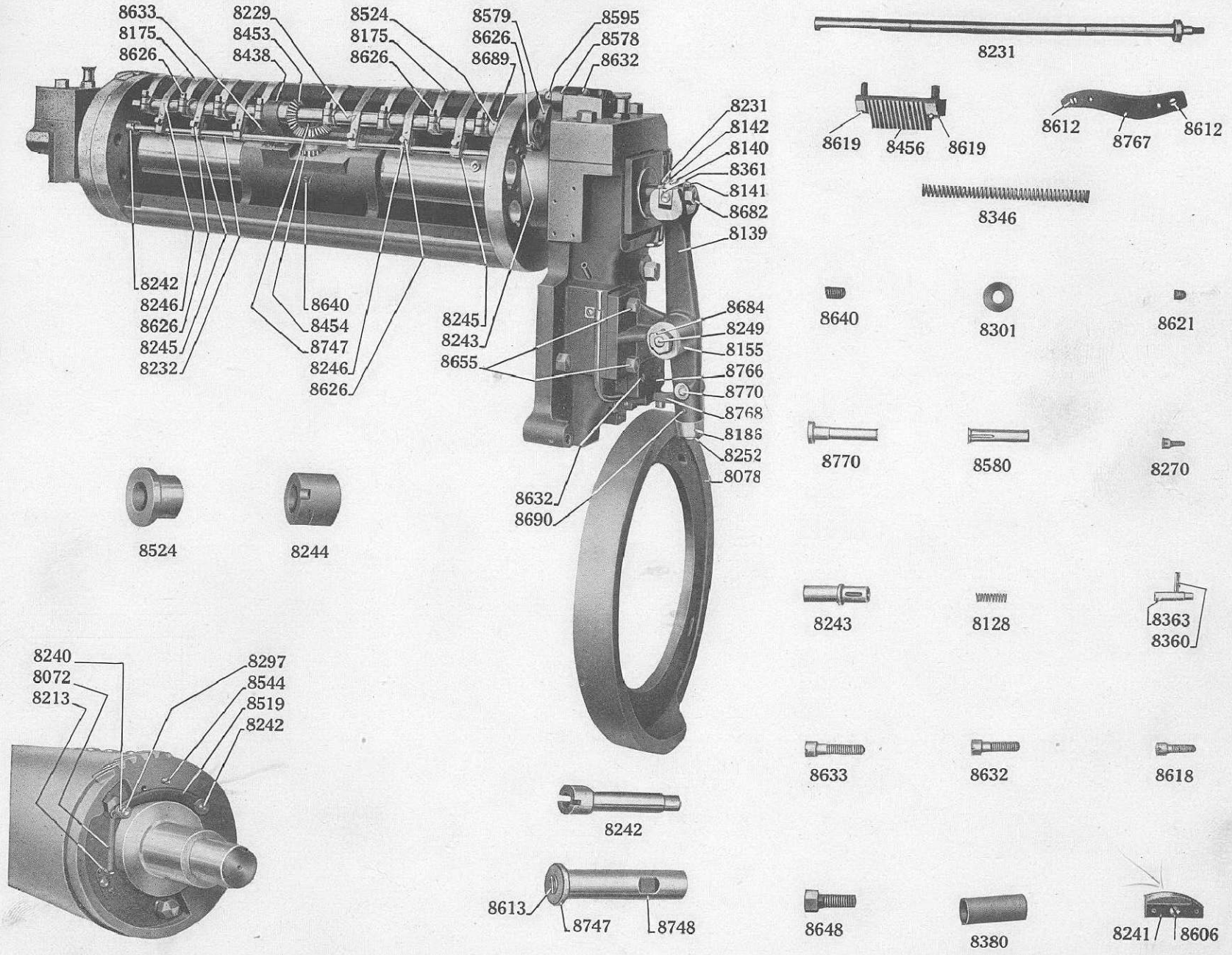
GRIPPER AND SHOOFLY OPERATING PARTS

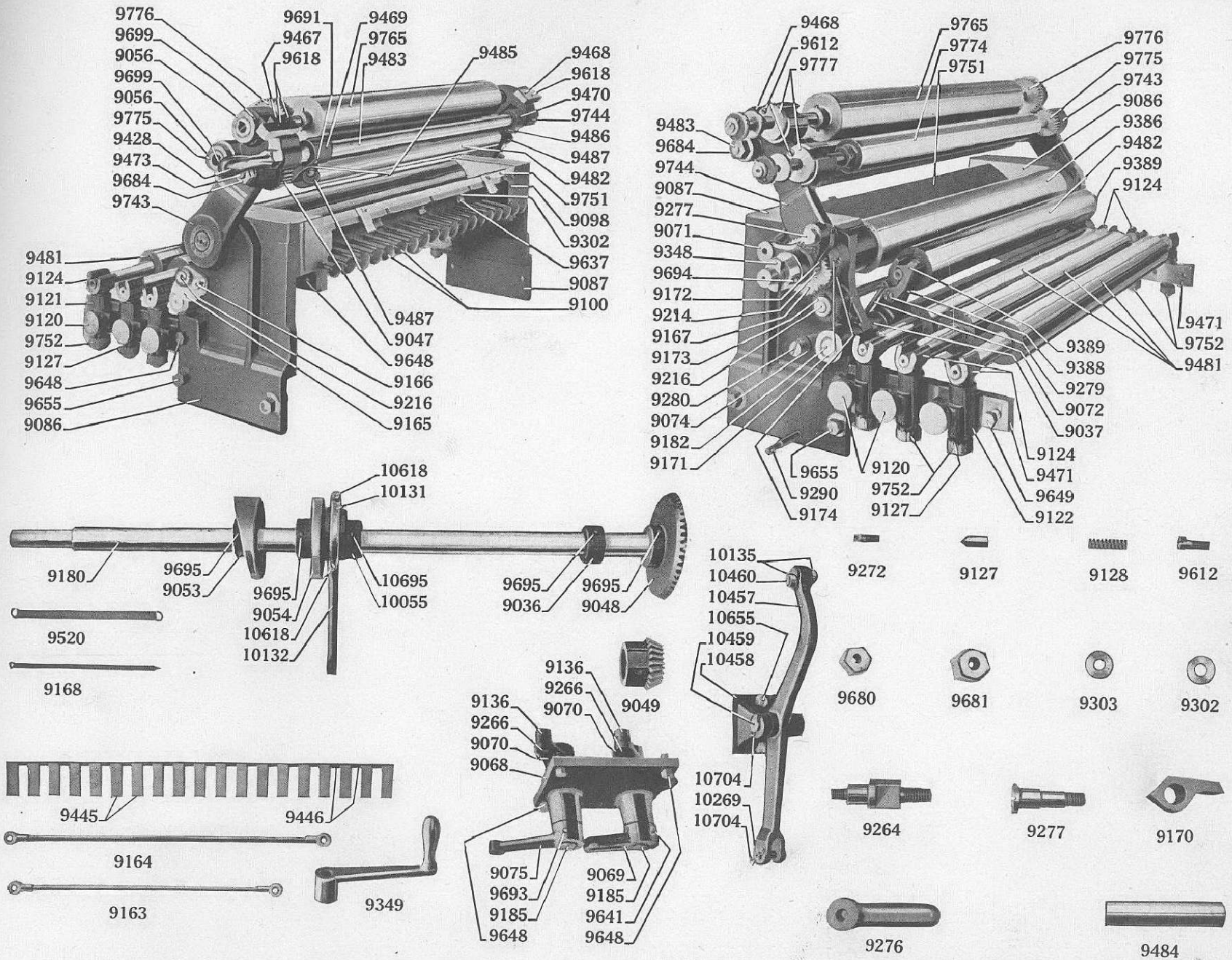
8078	Gripper Cam	8682	Rod Nut	8595	Closing Finger Roll
8648	Cam Screw	8141	Rod Collar	8580	Roll Stud
8301	Screw Washer	8142	Rod Washer [Fibre]	8621	Stud Set Screw
8618	Cam Locating Screw	8456	Gripper Shaft Operating Rack	8578	Closing Roll Bracket
8139	Cam Lever	8619	Rack Screw	8632	Bracket Screw
8186	Cam Roll	8454	Gripper Shaft Operating Gear	8246	Shoofly Finger
8252	Cam Roll Stud	8748	Gear Stud	8755	Double Shoofly Finger [Feeder Side]
8690	Stud Pin	8640	Stud Set Screw	8756	Double Shoofly Finger [Gear Side]
8249	Cam Lever Stud	8747	Stud Washer	8245	Finger Hub
8684	Stud Nut	8613	Washer Screw	8626	Hub Screw
8155	Cam Lever Bracket	8175	Gripper Finger	8232	Shoofly Finger Rod
8655	Bracket Screw	8626	Finger Clamp Screw	8779	Rod Key
8768	Gripper Lever Returning Finger	8229	Gripper Shaft	8243	Rod Bearing Sleeve
8770	Finger Stud	8453	Shaft Pinion	8363	Rod Bearing
8769	Finger Rest Pin	8805	Pinion Key	8360	Bearing Handle Pin
8766	Finger Guide Bracket	8380	Shaft Sleeve	8128	Bearing Spring
8632	Bracket Screw	8438	Shaft Center Bearing	8242	Shoofly Cam Lever Shaft
8767	Finger Cam	8633	Bearing Screw	8519	Cam Lever
8612	Cam Screw	8423	Bearing Lock	8687	Lever Pin
8140	Trunnion Collar	8800	Lock Screw	8072	Lever Spring
8361	Collar Block	8244	Gripper Shaft Bushing	8213	Spring Pin
8231	Gripper Operating Rack Rod—See Note 1	8270	Bushing Retaining Screw [$\frac{5}{16}$ diameter head]	8544	Cam Lever Stop Screw
8346	Rod Spring—See Note 1	8763	Bushing Retaining Screw [$\frac{5}{16}$ diameter head]	8240	Shoofly Cam Roll
8726	Gripper Operating Rack Rod—See Note 2	8524	Gripper Shaft Collar	8297	Cam Roll Stud
8721	Rod Sleeve—See Note 2	8689	Collar Pin	8241	Shoofly Cam
8728	Rod Spring—See Note 2	8579	Gripper Closing Finger	8606	Cam Screw
		8626	Finger Screw		

Note 1.—On presses 2148, 2146, 2139, 2131, 2128 and below

Note 2.—On presses 2129 and up, except 2131, 2139, 2146 and 2148

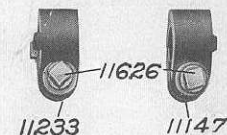
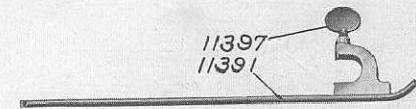
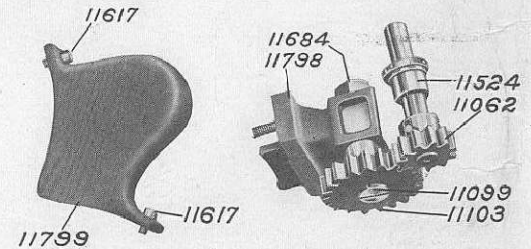


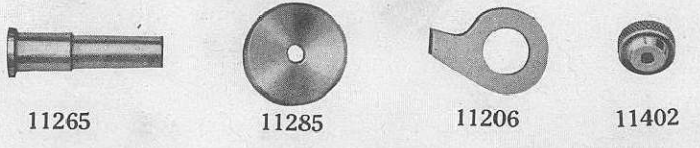
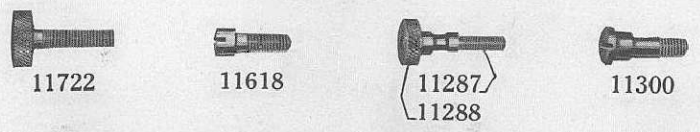
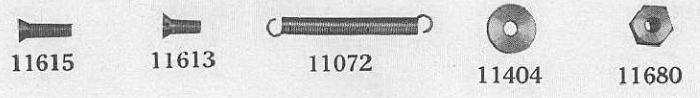
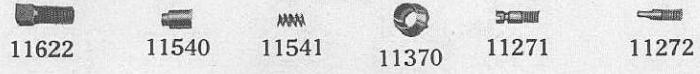
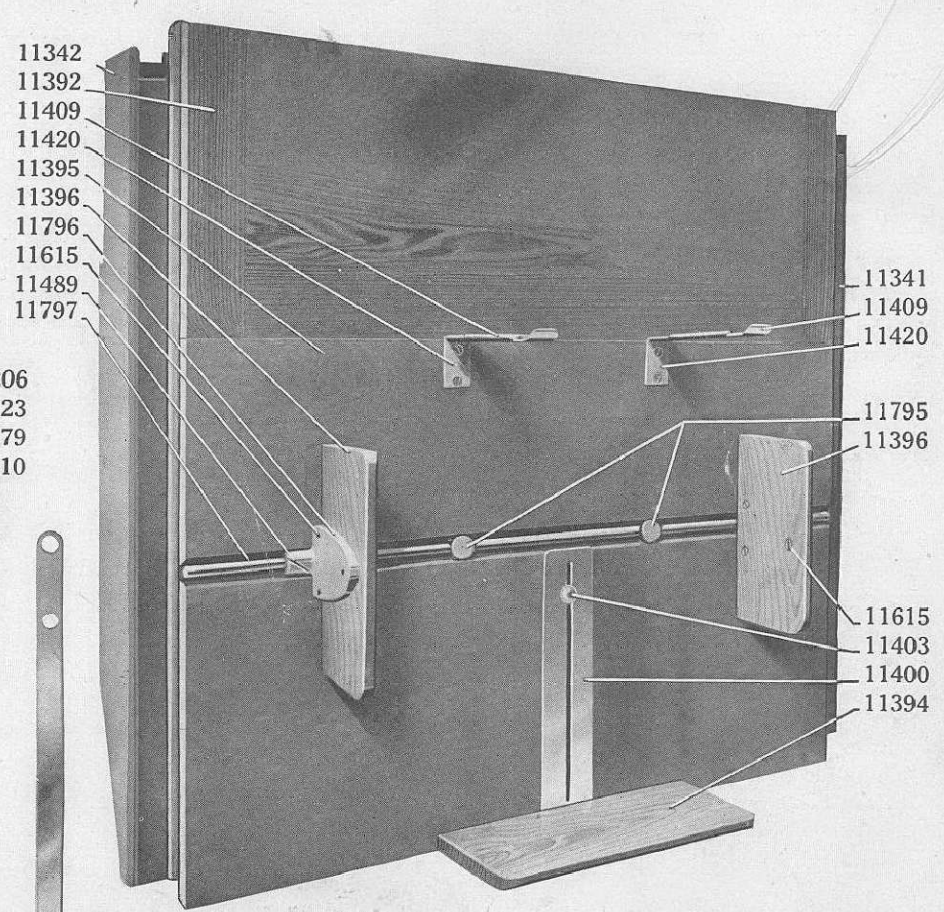
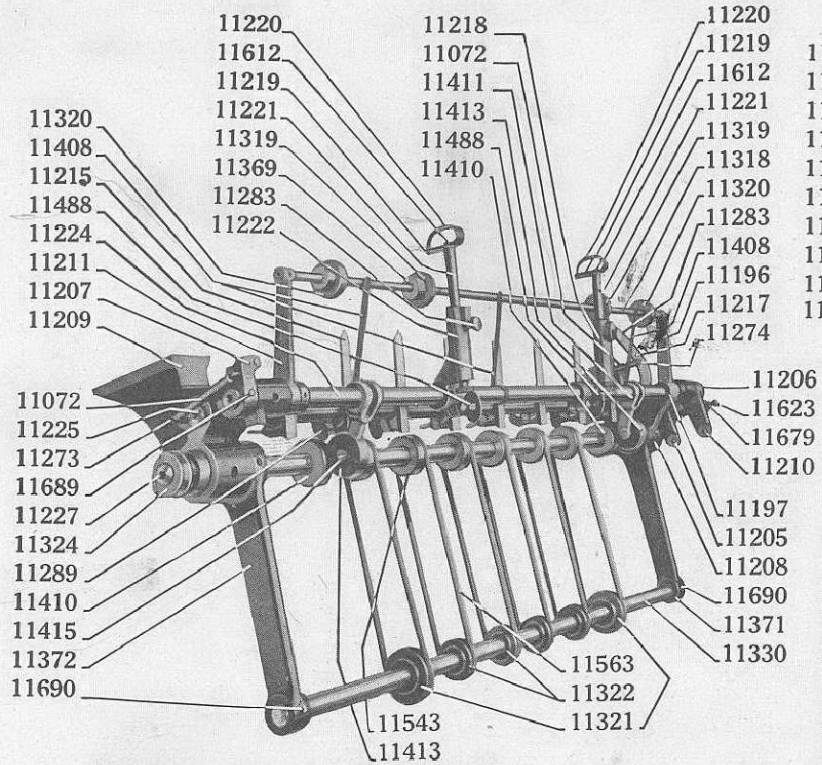




DELIVERY PARTS

11219	Drop Guide Plate	11206	Shaft Lug	11371	Delivery Shaft Supporting Arm [Feeder Side]
11220	Drop Guide Top Guide	11690	Lug Pin	11372	Delivery Shaft Supporting Arm [Gear Side]
11612	Top Guide Screw	11205	Finger Connection Lever	11690	Arm Pin
11221	Drop Guide Stem	11544	Lever Stop Screw	11208	Delivery Shaft Bracket [Feeder Side]
11283	Stem Set Screw	11272	Lever Spring Pin	11209	Delivery Shaft Bracket [Gear Side]
11287	Drop Guide Adjusting Screw	11072	Lever Spring	11618	Bracket Screw
11288	Adjusting Screw Head	11271	Spring Pin [In-11208]	11341	Delivery Board Support [Feeder Side]
11218	Drop Guide Arm [Feeder Side]	11217	Stripper Finger Stop	11342	Delivery Board Support [Gear Side]
11222	Drop Guide Arm [Gear Side]	11689	Stop Pin	11613	Support Screw
11223	Arm Key	11274	Finger Stop Spring Pin	11392	Inner Delivery Board
11488	Arm Clamp Screw	11072	Finger Stop Spring	11395	Outer Delivery Board
11224	Drop Guide Shaft	11272	Spring Pin [In-11208]	11420	Delivery Board Front Paper Guide —[14412 now used]
11206	Shaft Lug	11329	Delivery Driving Pulley	11412	Delivery Board Front Paper Guide
11690	Lug Pin	11640	Pulley Set Screw	11396	Delivery Board Side Paper Guide
11207	Drop Guide Stop Lug	11561	Driving Belt	11615	Guide Screw
11690	Stop Lug Pin	11562	Belt Fastener	11797	Guide Rod
11271	Lug Spring Pin	11324	Delivery Band Roll Shaft Pulley	11795	Rod Bracket
11072	Lug Spring	11690	Pulley Pin	11796	Guide Head
11273	Spring Pin [In-11209]	11062	Delivery Band Roll Shaft Gear	11489	Head Set Screw
11210	Drop Guide Connection Lever	11689	Gear Pin	11394	Back Paper Guide
11623	Lever Stop Screw [Use 11722]	11227	Delivery Roll Shaft	11400	Guide Plate
11722	Lever Stop Screw	11285	Shaft Washer	11403	Plate Screw
11679	Lever Nut	11618	Washer Screw	11402	Plate Screw Nut
11203	Drop Guide Lever Connection	11524	Shaft Collar		
11300	Connection Stud	11689	Collar Pin		
11680	Stud Nut	11103	Delivery Intermediate Driving Gear		
11204	Drop Guide Cam Roll Lever	11099	Gear Stud		
11265	Lever Stud	11684	Stud Nut		
11622	Stud Set Screw	11798	Gear Bracket		
11136	Cam Roll	11631	Bracket Screw		
11266	Roll Stud	11799	Delivery Gear Guard		
11687	Stud Pin	11617	Guard Screw		
11319	Margin Roll	11410	Delivery Roll		
11370	Roll Clamp Ring	11540	Roll Friction Pin		
11369	Roll Clamp Nut	11541	Pin Spring		
11320	Bearer Roll	11413	Delivery Tension Roll		
11686	Roll Pin	11415	Roll Stud		
11318	Roll Shaft	11411	Roll Arm		
11196	Roll Shaft Arm [Feeder Side]	11408	Arm Locating Strip		
11211	Roll Shaft Arm [Gear Side]	11543	Delivery Band Driving Pulley		
11197	Arm Collar	11540	Pulley Friction Pin		
11689	Collar Pin	11541	Pin Spring		
11147	Arm Collar [Feeder Side] with screw	11563	Delivery Band		
11233	Arm Collar [Gear Side] with screw	11321	Band Idler Pulley [Large]—(obsolete, use 11322)		
11626	Collar Screw	11322	Band Idler Pulley [Small]		
11215	Stripper Finger	11330	Delivery Idler Pulley Shaft		
11289	Finger Clamp Screw	11576	Delivery Guide Wire		
11225	Finger Shaft	11391	Delivery Wing		
		11397	Clamp Screw		



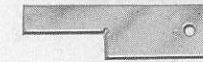


FEED BOARD PARTS

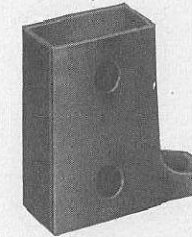
12117	Feed Board Supporting Bracket	[Feeder Side]
12118	Feed Board Supporting Bracket	[Gear Side]
12655	Bracket Screw	
12119	Composition Roller Supporting Bracket	
12618	Bracket Screw	
12406	Rear Section of Feed Board	
12407	Feed Board Trunnion Bracket	
12451	Trunnion Bracket Cover	
12452	Cover Screw	
12527	Feed Board Stop Pin	
12405	Front Section of Feed Board	
12340	Feed Board Plate	
12373	Board Rest Plate	
12311	Sheet Guide Tongue Bar	
12313	Tongue Bracket	
12314	Tongue	
12788	Tongue Guard	
12607	Tongue Screw	
12842	Feed Board Star Wheel Bracket	
12843	Star Wheel Finger	[Assembled]
12607	Finger Screw	
12840	Star Wheel	
12504	Wheel Pin	
12351	Side Guide Base	
12352	Base Screw	
12353	Side Guide Body Piece	
12354	Body Piece Screw	
12355	Side Guide Stem Holder	
12415	Stem Holder Stud	
12441	Side Guide Spring	
12356	Guide Stem	
12489	Stem Set Screw	
12287	Side Guide Adjusting Screw	
12288	Adjusting Screw Head	
12357	Side Guide Plate	
12220	Side Guide Top Guide	
12612	Top Guide Screw	

GEAR COVER, COUNTER AND MISCELLANEOUS

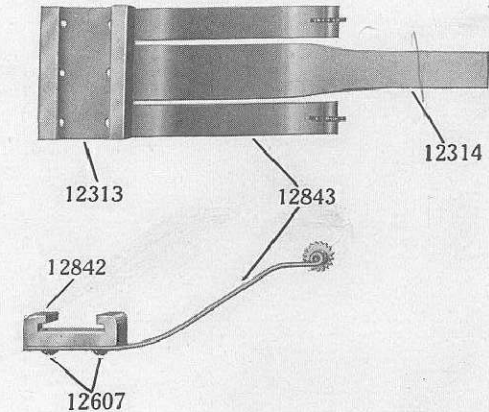
13332	Gear Guard	
13631	Guard Screw	
13336	Guard Support Pin	[Delivery End]
13778	Guard Support Pin	[Feeder End]
13338	Guard Support Bracket	
13634	Bracket Screw	[Long]
13631	Bracket Screw	[Short]
13333	Cam Guard	
13631	Guard Screw	
13335	Guard Support Pin	[Upper]
13334	Guard Support Pin	[Lower]
13597	Counter	
13607	Counter Screw	
13378	Counter Bracket	
13612	Bracket Screw	
13379	Counter Connection	
13377	Counter Operating Arm	
13521	Arm Stud	
13559	Standard Chase	[15x20¼ inches inside]
13133	Standard Skeleton Chase	[16¾x20⅞ in. inside]
13724	Bed Lock-up Bars	[Sold in Pairs]
13568	Style B Special Chase	[17¼x20¼ in. inside]
13903	Style B Special Skeleton Chase	[17¼x21 inside]
13304	Dead Line Gauge	
13073	Tool Tray	
13633	Tray Screw	
13123	Pulley Shaft	
13094	Shaft Bearing	[Gear Side]
13648	Bearing Screw	
13501	Oil Can	
13532	Oil Pipe Clip	[Single]
13533	Oil Pipe Clip	[Double]
13538	Oil Pipe Clip	[Triple]
13611	Clip Screw	
13494	¾ inch Pin Wrench	
13495	¼ inch Pin Wrench	
13305	Pin Wrench Box	
13613	Box Screw	
13496	¼ inch Gripper Wrench	
13497	⅜ inch and ¼ inch Thin Nut Wrench	
13498	¼ inch and ⅜ inch Set Screw Wrench	
13499	⅜ inch and ⅝ inch Set Screw Wrench	
13500	⅜ inch and ⅝ inch Nut Wrench	
13502	⅞ inch Screw Driver	
13503	⅝ inch Screw Driver	

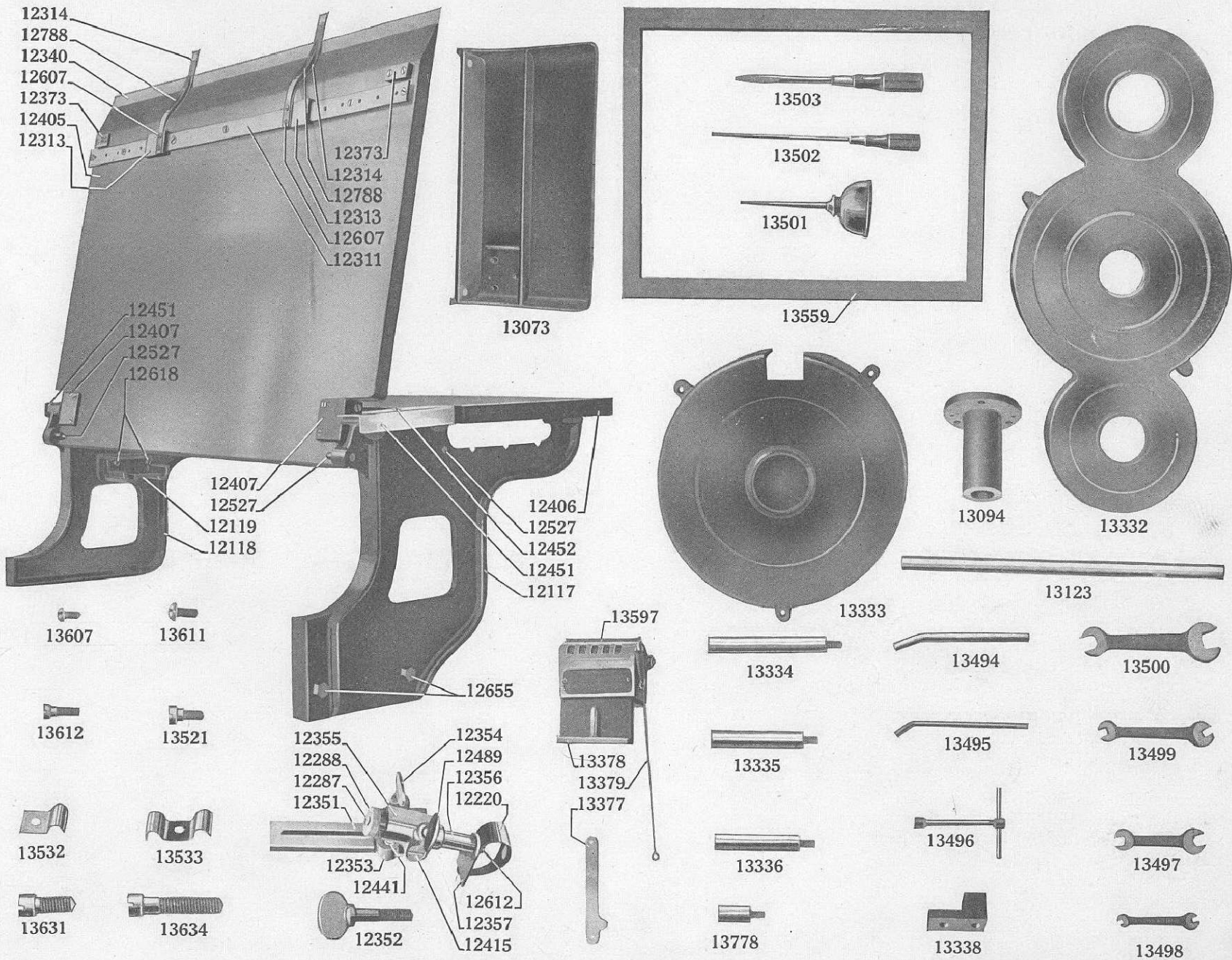


13304



13305

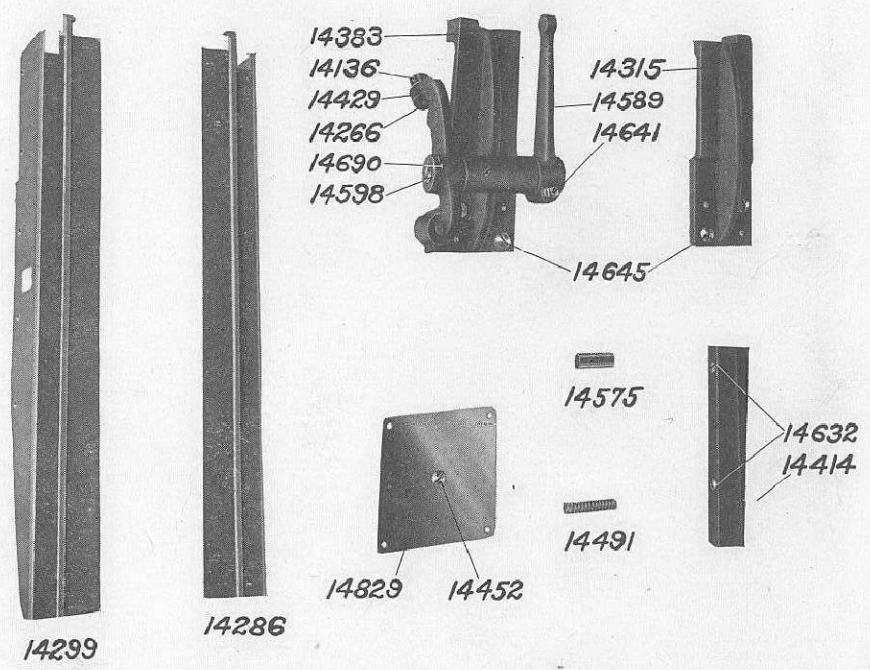
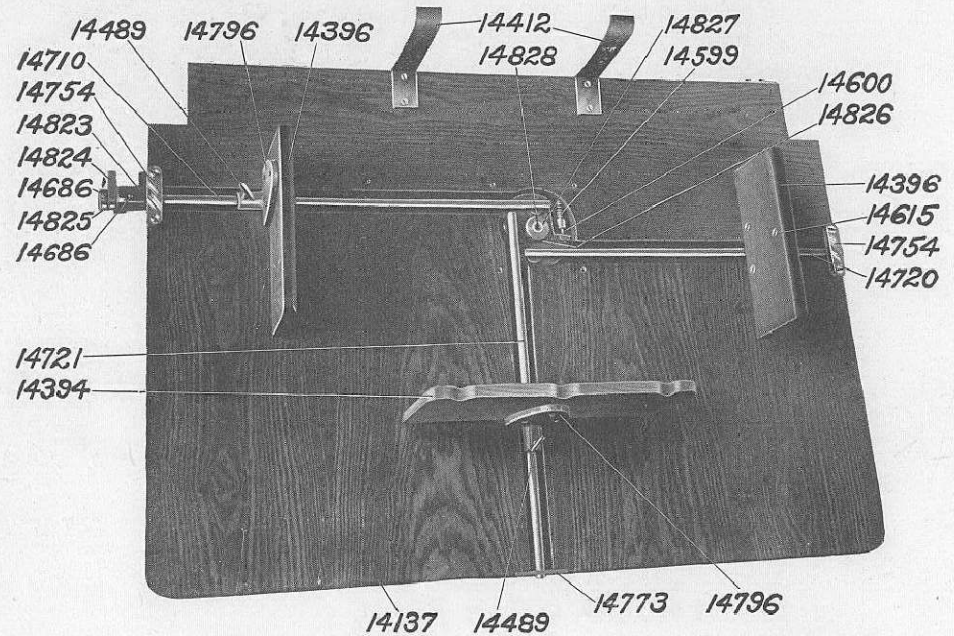




Above feedboard parts are for hand-fed presses only. See pages 20 and 31 to 37 for automatic feeder parts.

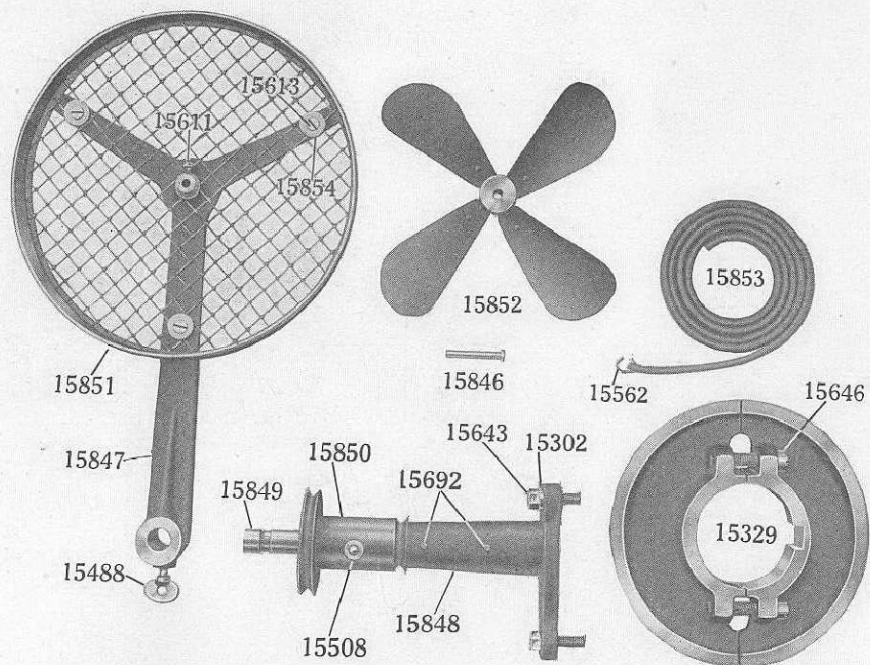
JOGGER BOARD AND OPERATING PARTS

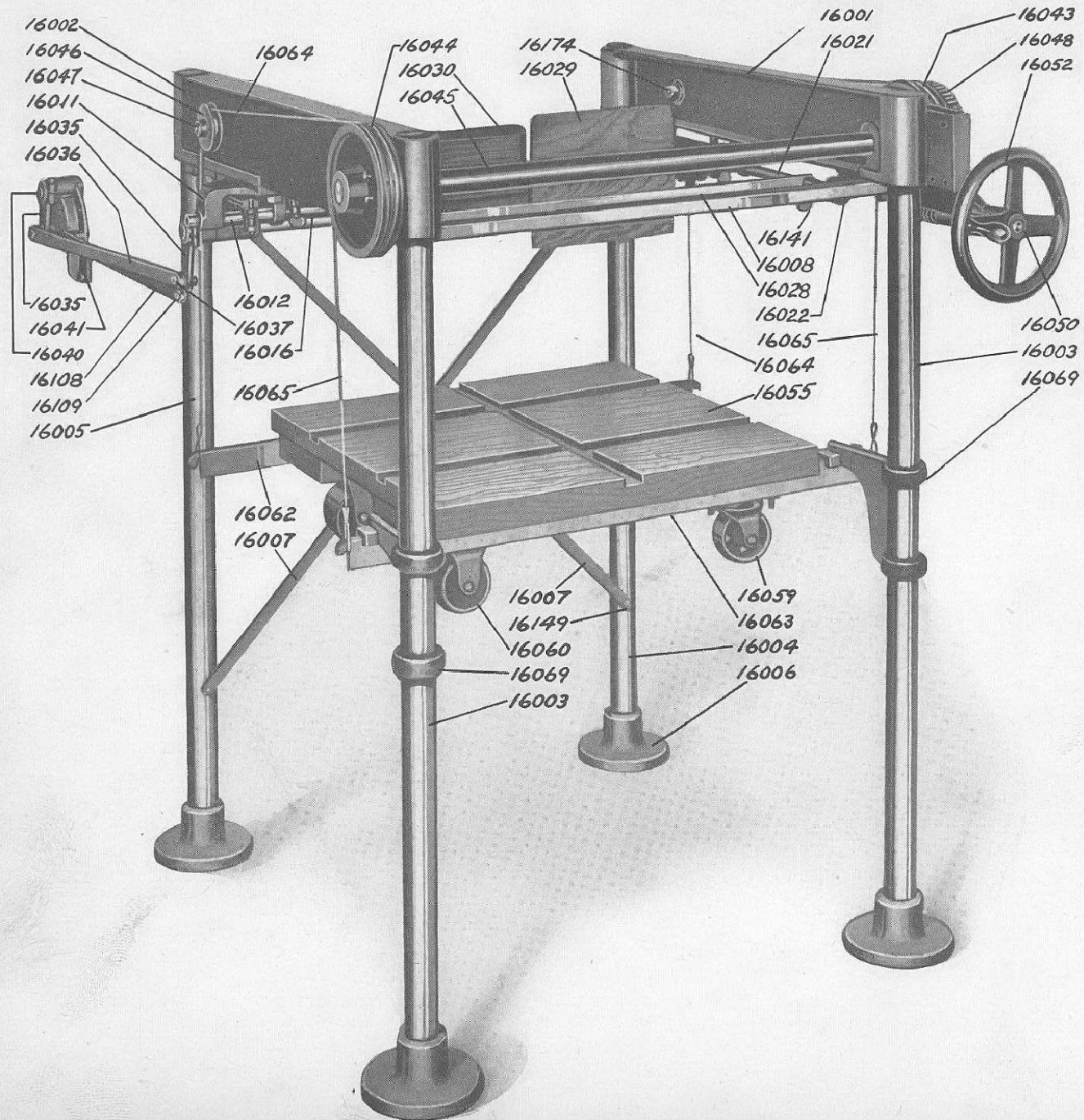
- 14137 Jogger Board
- 14412 Jogger Board Front Paper Guide
- 14396 Side Paper Guide
- 14394 Back Paper Guide
- 14615 Guide Screw
- 14796 Guide Head
- 14489 Head Screw
- 14286 Jogger Board Support [Feeder Side]
- 14299 Jogger Board Support [Gear Side]
- 14613 Support Screw
- 14383 Jogger Board Locating Bracket [Gear Side]
- 14315 Jogger Board Locating Bracket [Feeder Side]
- 14645 Bracket Screw
- 14414 Jogger Operating Cam for Jogger Board
Delivery—(See 16042 for Extension)
- 14632 Cam Screw
- 14429 Cam Lever
- 14690 Lever Pin
- 14136 Operating Cam Roll [Use 14834]
- 14266 Roll Stud [Use 14835]
- 14834 Operating Cam Roll
- 14835 Roll Stud
- 14688 Stud Pin
- 14491 Operating Cam Lever Spring
- 14575 Spring Plug
- 14589 Jogger Operating Lever
- 14896 Jogger Operating Lever Offset for Heater
- 14899 Filler Block
- 14641 Lever Screw
- 14598 Operating Lever Shaft
- 14599 Jogger Closing Spring
- 14600 Spring Pin
- 14708 Pin Head
- 14709 Pin Guide
- 14710 Jogger Operating Rod [Gear Side]
- 14720 Operating Rod [Feeder Side]
- 14721 Operating Rod [Rear]
- 14723 Rod Pin
- 14754 Operating Rod Bearing [Side]
- 14773 Operating Rod Bearing [Rear]
- 14823 Jogger Operating Rod Head
- 14686 Head Pin
- 14824 Head Plate
- 14825 Operating Rod Collar
- 14686 Collar Pin
- 14826 Jogger Operating Disc
- 14827 Disc Pivot
- 14828 Pivot Screw
- 14829 Operating Disc Cover
- 14452 Cover Screw



FAN PARTS

- 15852 Fan [9-inch diameter]
- 15846 Fan Bearing Pin
- 15611 Pin Set Screw
- 15847 Fan Arm
- 15488 Arm Set Screw
- 15851 Fan Guard
- 15854 Guard Washer
- 15613 Washer Screw
- 15848 Fan Arm Bracket
- 15643 Bracket Screw
- 15302 Screw Washer
- 15849 Fan Bracket Shaft
- 15692 Shaft Pin
- 15850 Fan Intermediate Pulley
- 15888 Fan Driving Band [Leather]
- 15853 Driving Belt
- 15562 Belt Fastener
- 15329 Driving Pulley
- 15646 Pulley Screw
- 15508 Oil Hole Cover





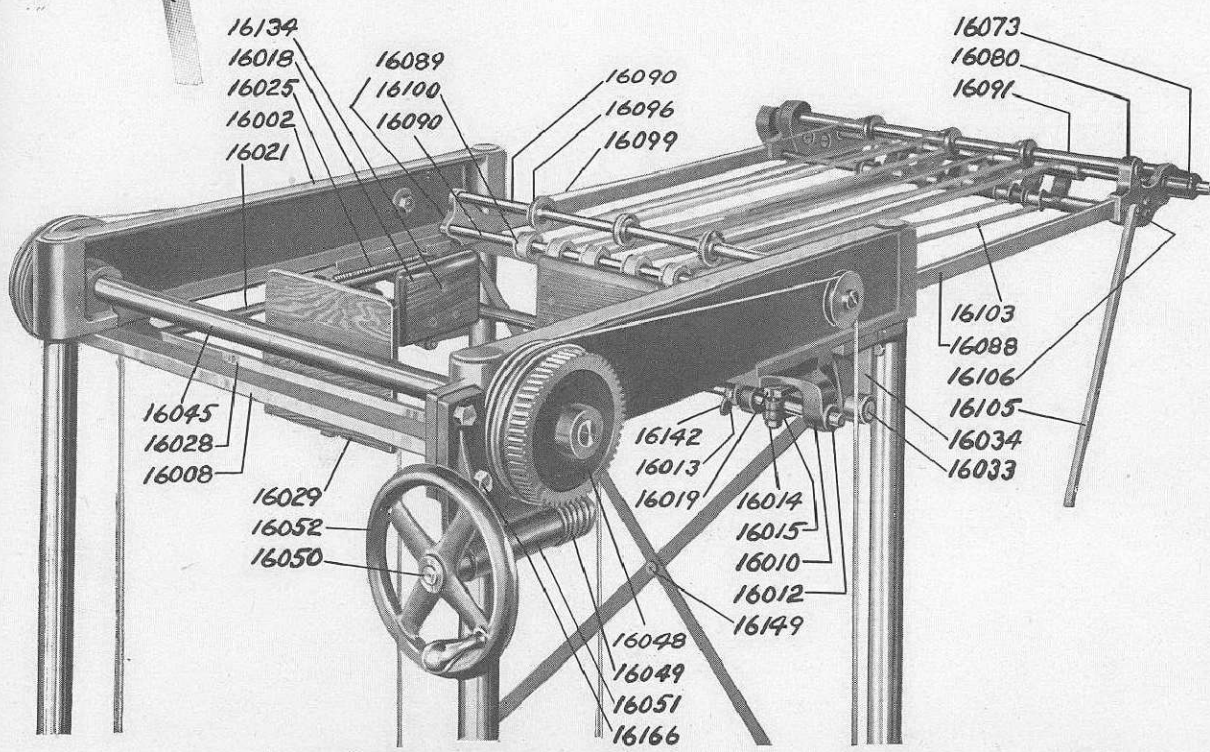
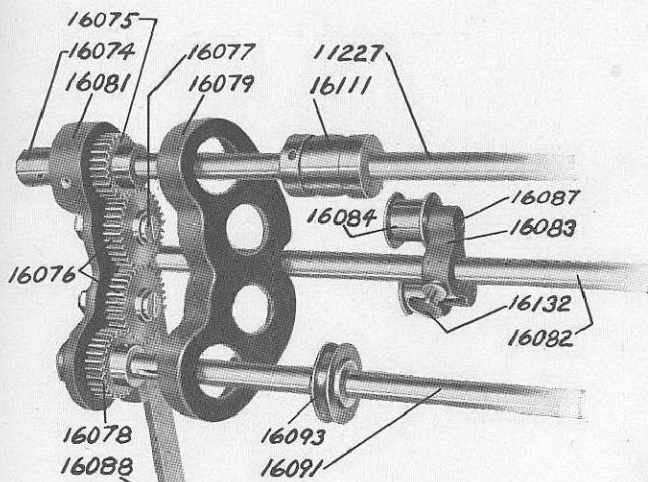
EXTENSION DELIVERY

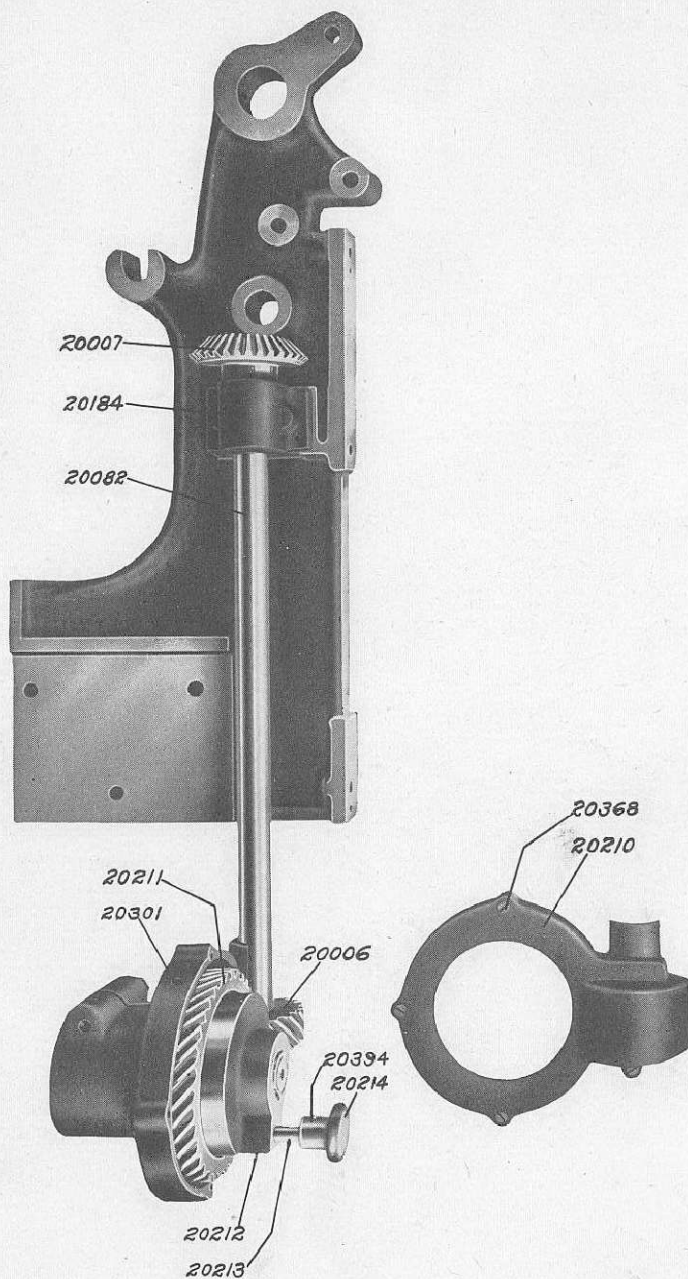
16001	Delivery Frame [Feeder Side]
16002	Delivery Frame [Gear Side]
16003	Frame Support [Rear]
16004	Frame Support [Front Feeder Side]
16005	Frame Support [Front Gear Side]
16158	Support Screw
16006	Support Foot
16158	Foot Screw
16007	Support Rod Brace
16149	Brace Screw
16171	Brace Screw Nut
16008	Frame Tie [Rear]
16009	Frame Tie [Front]
16166	Frame Tie Screw
16010	Side Jogger Bracket [Feeder Side]
16011	Side Jogger Bracket [Gear Side]
16166	Bracket Screws
16012	Side Jogger Rod Tube
16013	Rod Tube Clamp
16142	Thumbscrew
16014	Tube Stud
16171	Stud Nut
16015	Tube Stud Head
16016	Jogger Rod
16017	Jogger Rod Head
16018	Jogger Board
16134	Jogger Board Screw
16019	Jogger Bell Crank Lever
16020	Lever Stud
16021	End Jogger Rod
16022	Rod Bracket
16150	Bracket Screw
16023	Jogger Rod Stud
16024	Rod Pin
16025	Rod Spring
16026	Spring Pin [Short]
16027	Spring Pin [Long]
16028	Jogger Bar
16141	Thumbscrew
16029	Jogger Board [Rear]
16135	Board Screw
16030	Jogger Board [Front]
16134	Board Screw
16031	Jogger Board Bracket
16143	Bracket Screw
16032	Jogger Rod Lever
16188	Lever Pin
16033	Lever Shaft
16034	Lever Shaft Bracket
16150	Bracket Screw
16035	Jogger Connection Lever
16150	Connection Lever Screw
16036	Jogger Connection
16037	Connection Stud
16038	Jogger Cam Roll
16037	Cam Roll Stud
16039	Cam Roll Lever
16188	Lever Pin
16040	Lever Shaft
16041	Lever Shaft Bracket
16159	Bracket Screw

EXTENSION DELIVERY—Continued

- 16042 Jogger Operating Cam
- 16151 Cam Screw
- 16043 Lowering Cable Drum [Feeder Side]
- 16044 Lowering Cable Drum [Gear Side]
- 16064 Cable [Long]
- 16065 Cable [Short]
- 16066 Cable Shackle
- 16143 Cable Screw
- 16110 Cable Washer
- 16045 Cable Drum Shaft
- 16116 Drum Shaft Key [Feeder Side]
- 16117 Drum Shaft Key [Gear Side]
- 16046 Cable Idler
- 16047 Idler Stud
- 16174 Stud Nut
- 16048 Lowering Cable Worm Gear
- 16116 Worm Gear Key
- 16158 Worm Gear Set Screw
- 16049 Cable Worm
- 16187 Worm Pin
- 16050 Worm Shaft
- 16051 Worm Shaft Bracket
- 16166 Bracket Screw
- 16052 Handwheel

- 16055 Delivery Truck
- 16059 Swivel Caster
- 16060 Stationary Caster
- 16067 Handle
- 16062 Front Bar
- 16063 Rear Bar
- 16069 Truck Guide
- 16073 Delivery Tape Roll Shaft Bushing [F. S.]
- 16074 Delivery Tape Roll Shaft Bushing [G. S.]
- 16080 Tape Frame Hinge Bracket [F. S.]
- 16149 Bracket Screw
- 16081 Tape Frame Hinge Bracket [G. S.]
- 16149 Bracket Screw
- 16088 Frame Side Bar
- 16089 Frame Head Bracket
- 16149 Head Bracket Screw
- 16105 Frame Latch
- 16106 Latch Stud
- 16131 Latch Stud Screw
- 16107 Latch Stud Washer
- 16103 Delivery Tape—(Give No. Extension Delivery)
- 16111 Tape Driving Pulley
- 16094 Pulley Friction Pin
- 16095 Friction Pin Spring
- 16090 Tape Idler Pulley Shaft
- 16152 Idler Pulley Shaft Screw
- 16100 Idler Pulley [Assembled]
- 16101 Idler Pulley
- 16102 Idler Pulley Bushing
- 16083 Tape Tightening Arm
- 16132 Tightening Arm Screw
- 16194 Brass Shoe
- 16082 Tightening Arm Shaft
- 16153 Tightening Arm Shaft Screw
- 16084 Tightening Pulley [Assembled]
- 16085 Tightening Pulley
- 16086 Pulley Bushing
- 16087 Pulley Stud
- 16075 Delivery Top Band Driving Gear
- 16186 Driving Gear Pin
- 16076 Top Band Inter-Driving Gear
- 16077 Inter-Driving Gear Stud
- 16172 Stud Nut
- 16078 Top Band Shaft Gear
- 16186 Gear Pin
- 16079 Gear Guard
- 16091 Top Band Driving Pulley Shaft
- 16092 Shaft Collar
- 16185 Collar Pin
- 16093 Driving Pulley
- 16094 Driving Pulley Friction Pin
- 16095 Friction Pin Spring
- 16096 Top Band Idler Pulley [Assembled]
- 16097 Idler Pulley
- 16098 Pulley Bushing
- 16099 Top Band
- 16115 Coupling
- 16108 Delivery Frame Brace
- 16109 Brace Stud
- 16112 Bed Roller Guard [Feeder Side]
- 16136 Guard Screw
- 16113 Bed Roller Guard [Gear Side]
- 16136 Guard Screw



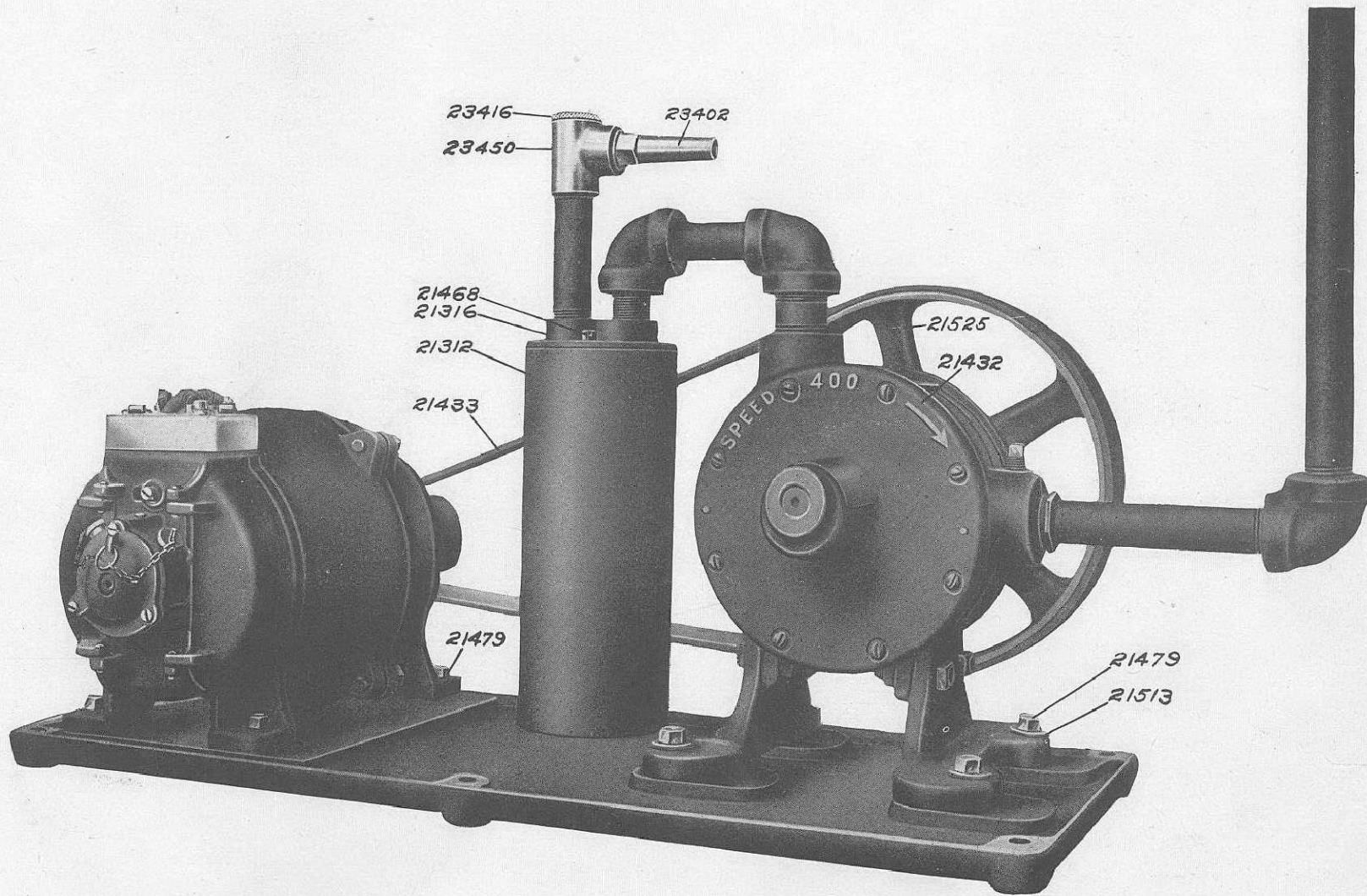


TRANSMISSION PARTS

20301	Spiral Gear Case
20382	Clamp Screw
20392	Dowel Pin
20210	Spiral Gear Case Cover
20368	Cover Screw
20211	Feeder Clutch Spiral Gear
20006	Feeder Clutch Spiral Pinion
20401	Pinion Pin
20212	Feeder Clutch Head
20400	Clutch Head Pin
20213	Feeder Clutch Pin
20214	Clutch Pin Handle
20394	Handle Pin
20426	Feeder Clutch Pin Latch
20303	Latch Spring
20082	Vertical Driving Shaft
20007	Bevel Gear
20398	Gear Pin
20184	Vertical Shaft Bracket
20376	Bracket Screw

BLOWER PARTS

21432	Blower
21525	Blower Pulley
21433	Driving Belt
21584	One-half H. P. Blower Motor Base Plate
21479	Motor and Blower Screw
21513	Screw Washer
21546	Motor and Blower Base Plate
21476	Motor Bolt D. C.
21477	Motor Bolt A. C.
21513	Bolt Washer
21490	Bolt Nut
21479	Blower Screw
21513	Screw Washer
21526	One-fourth H. P. Blower Motor Base Plate [Used with 1490]
21479	Plate Screw
21513	Screw Washer
21312	Air Receiver Tank
21550	Tank Star
21316	Tank Cap
21468	Cap Screw
21520	Cap Packing
21436	3/4 inch Elbow
21439	3/4 x 2 1/2 inch Nipple
21441	3/4 x 4 inch Nipple
21443	3/4 x 7 inch Pipe
21446	1 x 3 1/2 inch Nipple
21437	1 inch to 3/4 inch Reducing Elbow
21579	Suction Hose
21402	Hose Connection



PAPER LIFT TABLE PARTS

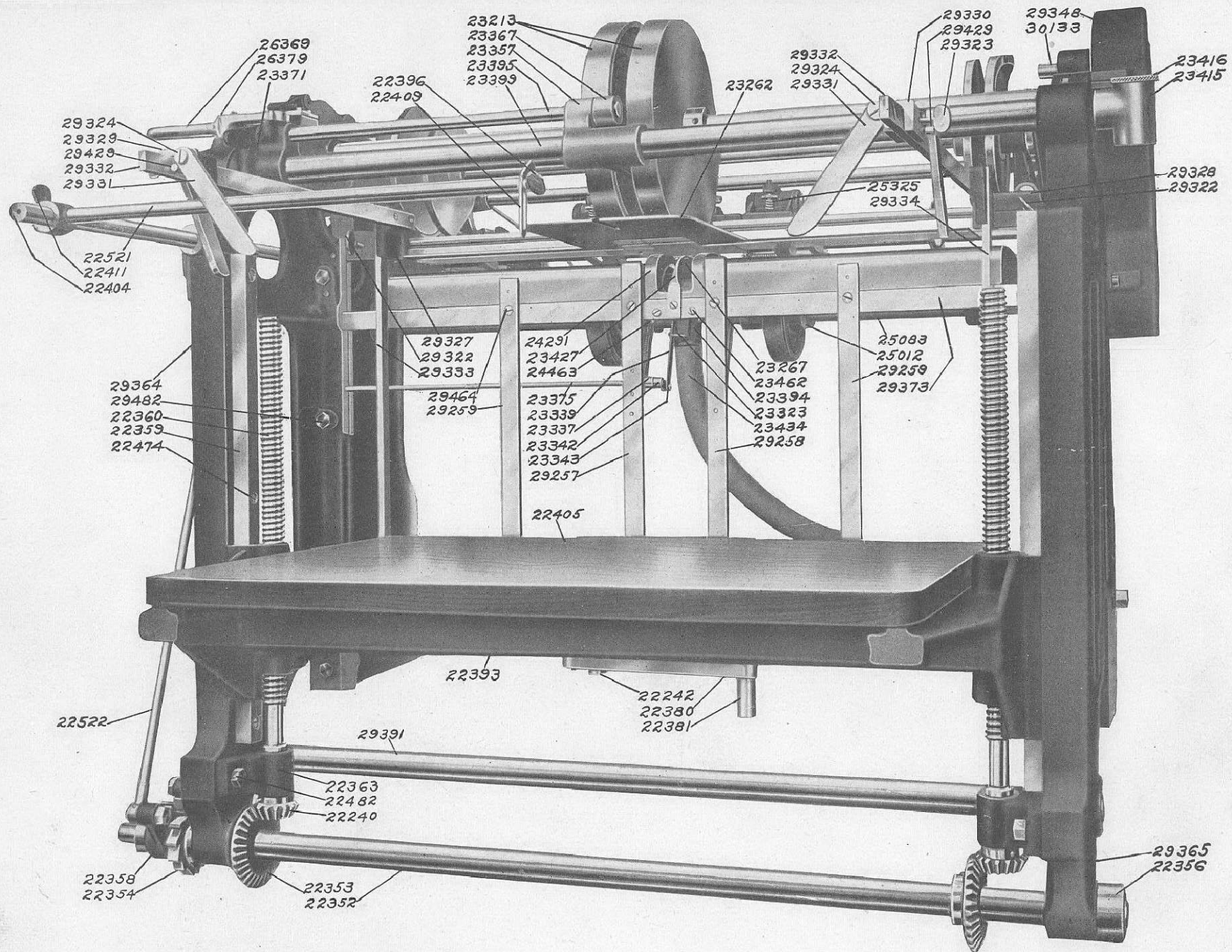
22393 Paper Lift Table
 22405 Table Board
 22359 Table Guide
 22474 Guide Screw
 22360 Lift Table Screw
 22240 Screw Gear
 22502 Gear Pin
 22363 Lift Table Screw Bearing
 22482 Bearing Screw
 22353 Screw Driving Gear
 22505 Gear Pin
 22352 Lift Table Screw Connecting Shaft
 22356 Shaft Collar
 22506 Collar Pin
 22220 Shaft Clutch Collar
 22503 Collar Pin
 22554 Lift Table Crank Handle
 22503 Handle Pin
 22354 Feed Ratchet
 22504 Ratchet Pin
 22358 Ratchet Pawl Lever
 22414 Lever Latch Point [Flat]
 22461 Point Screw
 22358 Ratchet Pawl Lever [Round Point]
 22556 Lever Latch Point [Round]
 22471 Point Set Screw
 22366 Ratchet Pawl
 22448 Pawl Pin
 22243 Pawl Stud
 22488 Stud Nut
 22522 Feed Connection Rod
 22243 Rod Stud [Use 22572]
 22572 Rod Stud
 22488 Stud Nut
 22236 Feed Operating Crank Disc
 22504 Crank Pin
 22242 Crank Stud
 22392 Feed Trip Lever
 22413 Lever Stud
 22252 Lever Stop Pin
 22486 Stop Pin Nut
 22388 Lever Bracket
 22468 Bracket Screw
 22389 Trip Connecting Lever
 22400 Lever Stud
 22468 Lever Screw

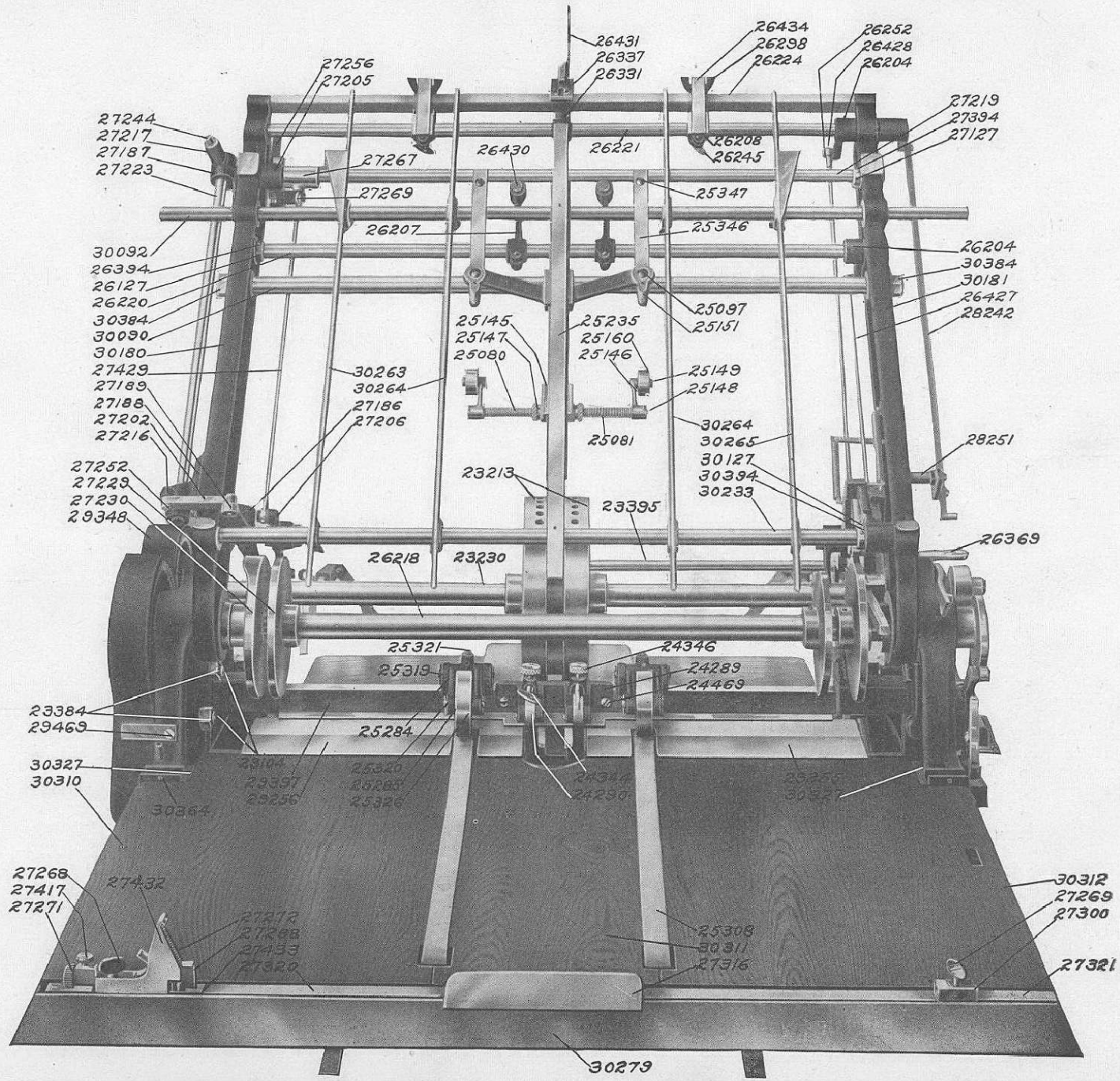
22390 Lever Head
 22501 Head Pin
 22361 Paper Lift Table Half Nut [Feeder Side]
 22362 Paper Lift Table Half Nut [Gear Side]
 22384 Half Nut Hinge Pin
 22383 Half Nut Connection
 22413 Connection Stud
 22385 Connection Pin
 22380 Half Nut Operating Lever
 22242 Lever Stud
 22381 Lever Knob
 22282 Lever Spring
 22401 Spring Pin
 22409 Height Gauge
 22396 Binding Screw
 22521 Height Gauge Arm
 22411 Arm Screw
 22404 Height Gauge Shaft
 22547 Shaft Key
 22387 Shaft Bracket [Rear]
 22469 Bracket Screw
 22403 Shaft Collar
 22500 Collar Pin
 22548 Pack Wedge

BLAST AND SUCTION PARTS

23266 Blast Pipe Mouthpiece
 23427 Mouthpiece Guard
 23460 Guard Screw
 23394 Mouthpiece Support
 23462 Support Screw
 23323 Mouthpiece Clamp Screw
 23267 Blast Deflecting Plate
 23339 Plate Adjusting Rod Connection
 23340 Connection Stud
 23375 Adjusting Rod
 23342 Rod Lever
 23343 Lever Stud
 23337 Rod Bracket
 23455 Bracket Screw
 23351 Rod Handle
 23396 Handle Screw
 23434 $\frac{5}{8}$ inch Blast Hose
 23402 Hose Connection
 23447 Hose Clip
 23468 Clip Screw
 23555 Hose Clamp

23416 Blast Regulating Valve
 23450 Valve Body
 23343 Valve Stud
 23213 Suction Wheel
 23505 Wheel Pin
 23230 Suction Wheel Shaft
 23241 Shaft Gear
 23504 Gear Pin
 23011 Suction Wheel Driving Gear
 23397 Gear Pin
 23010 Suction Wheel Intermediate Gear
 23104 Gear Stud
 23384 Stud Nut
 23399 Horizontal Suction Pipe
 23416 Suction Pipe Regulating Valve
 23415 Valve Body [Used with 21402]
 23552 Valve Body [For straight pipe]
 23343 Valve Stud
 23357 Suction Pipe Mouthpiece
 23469 Mouthpiece Screw
 23503 Mouthpiece Pin
 23367 Mouthpiece Valve
 23500 Valve Pin
 23395 Valve Operating Shaft
 23370 Operating Lever
 23500 Lever Pin
 23422 Lever Spring
 23419 Spring Plug
 23303 Lever Cam Roll
 23377 Cam Roll Stud
 23368 Operating Lever Latch
 23421 Latch Stud
 23371 Operating Lever Shaft Bracket
 23469 Bracket Screw
 23372 Bracket Cap
 23460 Cap Screw
 23410 Mouthpiece Valve Cam
 23558 Mouthpiece Valve Cam [Used with 23567]
 23505 Cam Pin
 23417 Air Trip Bar
 23418 Bar Guide
 23461 Guide Screw
 23255 Bar Locating Collar
 23422 Bar Spring
 23419 Spring Plug
 23262 Stripper Plate [4 inches wide at front]
 23538 Stripper Plate [Straight, 6 inches wide]
 23462 Plate Screw





TWO SHEET STOP PARTS

- 24290 Two Sheet Stop Finger
- 24345 Stop Finger Pivot
- 24289 Stop Finger Bracket
- 24469 Bracket Screw
- 24412 Stop Finger Spring
- 24291 Two Sheet Stop Bracket
- 24463 Bracket Screw
- 24346 Two Sheet Stop Adjusting Screw
- 24344 Binding Screw
- 24517 Brass Shoe

CALIPER PARTS

- 24527 Caliper Finger
- 24536 Finger Pivot
- 24511 Pivot Pin
- 24533 Caliper Finger Bracket
- 24463 Bracket Screw
- 24422 Caliper Finger Spring
- 24535 Spring Plug
- 24523 Caliper Finger Adjusting Screw
- 24510 Adjusting Screw Pin
- 24531 Adjusting Screw Binding Screw
- 24532 Brass Shoe
- 24530 Adjusting Screw Bracket
- 24469 Bracket Screw

SHEET CONVEYOR PARTS

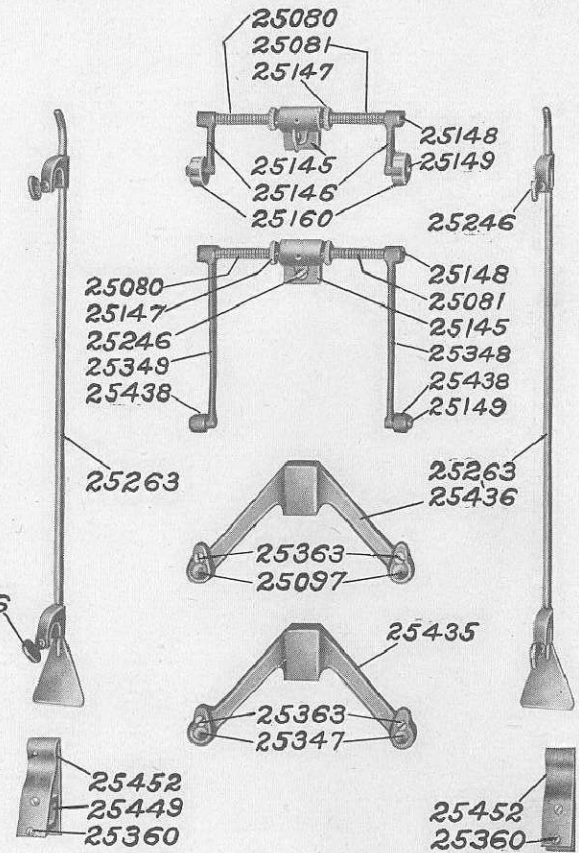
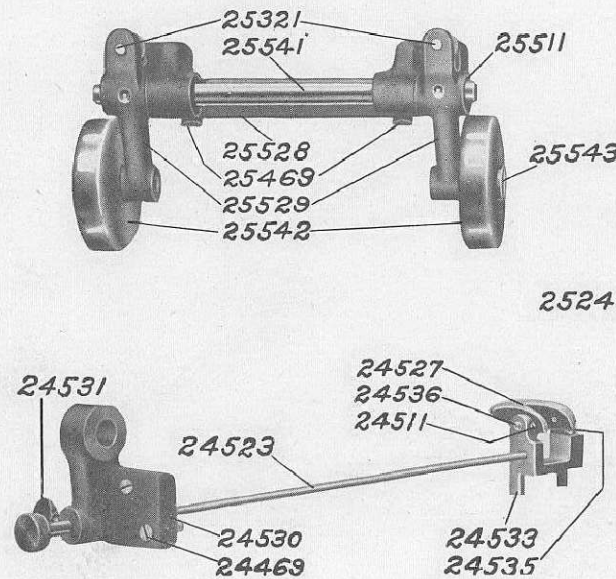
- 25326 Paper Feed Roll
- 25320 Roll Bearing Pin
- 25510 Bearing Pin Cotter Pin
- 25285 Feed Roll Arm
- 25319 Arm Hinge Pin
- 25510 Hinge Pin Cotter Pin
- 25284 Paper Feed Roll Bracket
- 25461 Bracket Screw
- 25325 Paper Feed Roll Tension Spring
- 25321 Spring Adjusting Screw
- 25542 Paper Feed Roll
- 25544 Roll Bushing
- 25543 Roll Stud
- 25529 Roll Arm
- 25541 Arm Shaft
- 25511 Shaft Pin
- 25528 Shaft Bracket
- 25469 Bracket Screw
- 25325 Paper Feed Roll Tension Spring
- 25321 Spring Adjusting Screw
- 25308 Conveyor Belt
- 25439 Belt Clamp
- 25451 Clamp Plate
- 25457 Clamp Screw
- 25012 Conveyor Belt Driving Pulley
- 25398 Pulley Pin
- 25083 Pulley Shaft

See
page 31

See
page 32

- 25008 Shaft Bevel Gear
- 25399 Gear Pin
- 25231 Conveyor Belt Adjusting Pulley
- 25250 Pulley Stud
- 25309 Pulley Arm
- 25119 Arm Spring Pin
- 25314 Arm Spacing Tube
- 25458 Arm Spring
- 25118 Spring Pin
- 25323 Conveyor Belt Idler Pulley
- 25318 Pulley Shaft
- 25357 Shaft Screw
- 25350 Tension Roll $1\frac{1}{2}$ inch diameter
- 25438 Tension Roll $\frac{5}{8}$ inch diameter
- 25149 Roll Stud
- 25348 Roll Arm [Long-Feeder Side]
- 25349 Roll Arm [Long-Gear Side]
- 25145 Tension Roll Head
- 25246 Head Screw
- 25148 Tension Roll Arm Shaft
- 25404 Shaft Cotter Pin
- 25080 Roll Arm Spring [Gear Side]
- 25081 Roll Arm Spring [Feeder Side]
- 25147 Spring Adjusting Wheel
- 25160 Tension Roll [Large]
- 25149 Roll Stud
- 25146 Roll Arm [Short]
- 25145 Tension Roll Head
- 25246 Head Screw
- 25148 Tension Roll Arm Shaft
- 25405 Shaft End Pin
- 25080 Roll Arm Spring [Gear Side]
- 25081 Roll Arm Spring [Feeder Side]

- 25147 Spring Adjusting Wheel
- 25235 Tension Roll Head Guide
- 25362 Guide Screw
- 25151 Double Ball Holder
- 25097 $\frac{5}{8}$ inch Ball
- 25254 Ball Retaining Screw
- 25153 Ball Holder Tension Spring
- 25346 Extension Ball Holder
- 25347 $\frac{1}{2}$ inch Ball
- 25436 V Shape $\frac{5}{8}$ inch Ball Holder
- 25097 $\frac{5}{8}$ inch Ball
- 25363 Ball Retaining Screw
- 25435 V Shape $\frac{1}{2}$ inch Ball Holder
- 25347 $\frac{1}{2}$ inch Ball
- 25363 Ball Retaining Screw
- 25263 Wing Guide [Assembled]
- 25246 Clamp Screw
- 25452 Sheet Corner Hold Down
- 25449 Hold Down Head
- 25360 Hold Down Screw

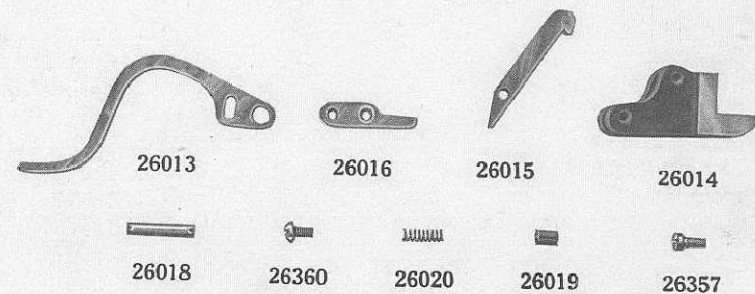


SHEET DETAINER AND DETECTOR PARTS

26369 Feed Starting Handle
 26379 Handle Stud
 26227 Sheet Detainer Cam
 26398 Cam Pin
 26192 Sheet Detainer Latch Lever
 26330 Lever Pin
 26118 Spring Pin
 26138 Cam Roll
 26252 Cam Roll Stud
 26258 Lever Spring
 26248 Spring Pin (In Frame)
 26236 Sheet Detainer Latch
 26252 Latch Stud
 26191 Sheet Detainer Operating Lever
 26118 Spring Pin
 26260 Lever Spring
 26119 Spring Pin (In Frame)
 26427 Sheet Detainer Connection
 26252 Connection Stud
 26204 Connection Lever
 26395 Lever Pin
 26207 Sheet Detaining Finger
 26430 Finger Rubber
 26371 Finger Screw

26220 Finger Shaft
 26127 Shaft Collar
 26394 Collar Pin
 26228 Sheet Detector Finger Cam
 26398 Cam Pin
 26193 Sheet Detecting Cam Roll Lever
 26118 Spring Pin
 26138 Cam Roll
 26252 Cam Roll Stud
 26260 Lever Spring
 26249 Spring Pin (In Frame)
 26428 Sheet Detector Connection
 26252 Connection Stud
 26204 Connection Lever
 26395 Lever Pin
 26298 Sheet Detector
 26208 Detector Lever
 26446 Detector Hinge Pin
 26245 Lever Screw
 26221 Lever Shaft
 26224 Sheet Detector Latch Bar
 26372 Bar Screw
 26434 Sheet Detector Stripper Finger
 26222 Operating Lever Shaft
 26396 Shaft Pin
 26127 Shaft Collar

26394 Collar Pin
 26218 Feeder Cam Shaft
 26009 Cam Shaft Gear
 26397 Gear Pin
 26431 Crumpled Sheet Detector Finger
 26337 Detector Bracket
 26357 Bracket Screw
 26331 Detector Lever
 26367 Lever Screw
 26333 Detector Lever Pin
 26370 Pin Set Screw
 26338 Detector Latch
 26339 Latch Pin
 26335 Latch Hook
 26341 Hook Collar
 26340 Hook Stud
 26013 Crumpled Sheet Detector Finger
 26360 Finger Clamp Screw
 26014 Detector Bracket
 26357 Bracket Screw
 26015 Detector Latch
 26016 Latch Hook
 26018 Hinge Pin
 26020 Latch Spring
 26019 Spring Plunger
 26021 Crumpled Sheet Detector [Assembled]

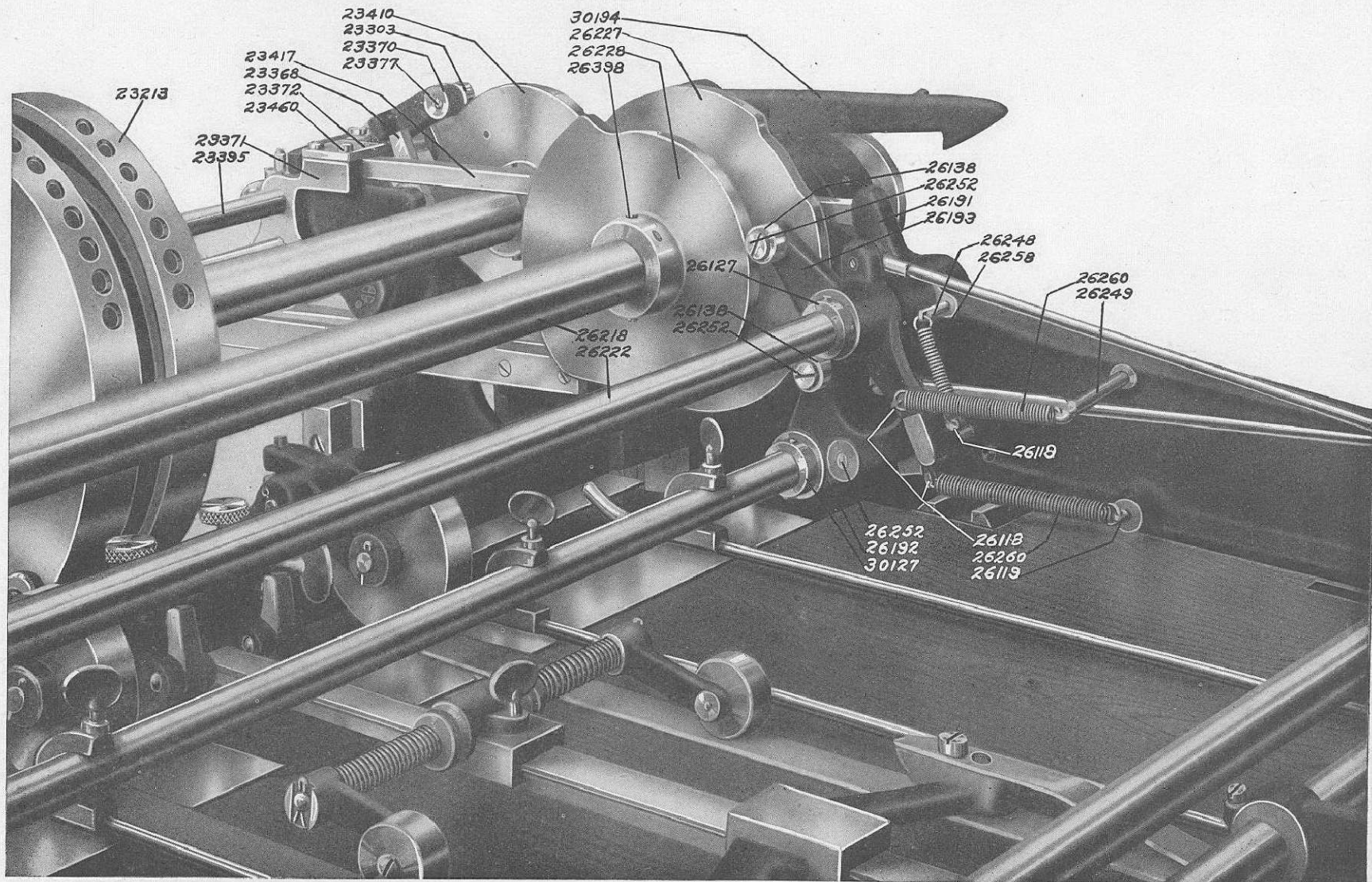


SNAP GUIDE PARTS

27432	Snap Guide Frame [Furnished Assembled only]	27219	Snap Guide Opening and Closing Shaft
27268	Clamp Screw	27127	Shaft Collar
27271	Snap Guide Adjusting Screw	27394	Collar Pin
27417	Adjusting Screw Binding Screw	27205	Snap Guide Opening and Closing Lever
27419	Brass Shoe	27395	Lever Pin
27288	Snap Guide Gripper	27260	Lever Spring
27454	Gripper Bushing	27119	Spring Pin
27272	Gripper Spring	27429	Opening and Closing Connection [Assembled]
27291	Spring Rod	27252	Connection Stud
27292	Rod Guide	27206	Opening and Closing Cam Lever
27433	Side Register Adjusting Plate	27138	Lever Cam Roll
27300	Bunter Block [Assembled]	27252	Roll Stud
27440	Bunter Block	27229	Opening and Closing Cam
27441	Block Spring	27398	Cam Pin
27442	Block Spring Plate	27217	Snap Guide Bar Operating Lever
27443	Block Spring Plug	27367	Lever Screw
27268	Block Screw	27244	Lever Operating Pin
27321	Snap Guide Mounting Bar [Feeder Side]	27386	Operating Pin Stop Pin
27320	Snap Guide Mounting Bar [Gear Side]	27303	Operating Pin Spring
27282	Mounting Bar Gib [Front]	27223	Snap Guide Bar Operating Lever Shaft
27357	Gib Screw	27187	Shaft Bracket [Front]
27425	Mounting Bar Gib [Rear]	27361	Bracket Screw
27357	Gib Screw	27188	Shaft Bracket [Rear]
27324	Mounting Bar Stop	27361	Bracket Screw
27361	Stop Screw	27117	Spring Pin
27283	Mounting Bar Connection	27202	Bar Operating Connection
27284	Connection Lever	27252	Connection Stud
27307	Lever Stud	27216	Connection Lever
27383	Stud Nut	27394	Lever Pin
27404	Stud Cotter Pin	27189	Bar Operating Cam Lever
27423	Mounting Bar Spring	27261	Cam Lever Spring
27422	Spring Plug	27118	Spring Pin
27316	Mounting Bar Cover	27138	Lever Cam Roll
27322	Mounting Bar Support	27252	Roll Stud
27267	Snap Guide Opening and Closing Finger	27186	Bar Operating Cam Lever Bracket
27455	Finger Key	27361	Bracket Screw
27269	Finger Screw	27106	Bar Operating Cam Lever Stud
		27230	Operating Cam
		27398	Cam Pin

IMPRESSION THROW-OFF PARTS

28203	Impression Trip Operating Lever
28395	Lever Pin
28242	Impression Trip Connection
28253	Connection Stud
28195	Connection Lever
28149	Lever Stud
28251	Stud Post
28196	Impression Throw-Off Pawl
28117	Spring Pin
28304	Pawl Spring
28252	Pawl Stud
28190	Impression Throw-Off Lever
28118	Spring Pin
28386	Pawl Stop Pin
28250	Lever Stud
28138	Lever Cam Roll
28252	Roll Stud
28257	Impression Throw-Off Lever Spring
28030	Spring Pin
28226	Throw-Off Cam
28398	Cam Pin
28198	Throw-Off Rod
28252	Rod Stud
28185	Rod Bracket
28361	Bracket Screw
28343	Stop Switch Pawl
28253	Pawl Stud
28197	Impression Throw-Off Rod Lever
28250	Lever Stud
28199	Impression Throw-Off Connection
28252	Connection Stud
28201	Connection Stud Post

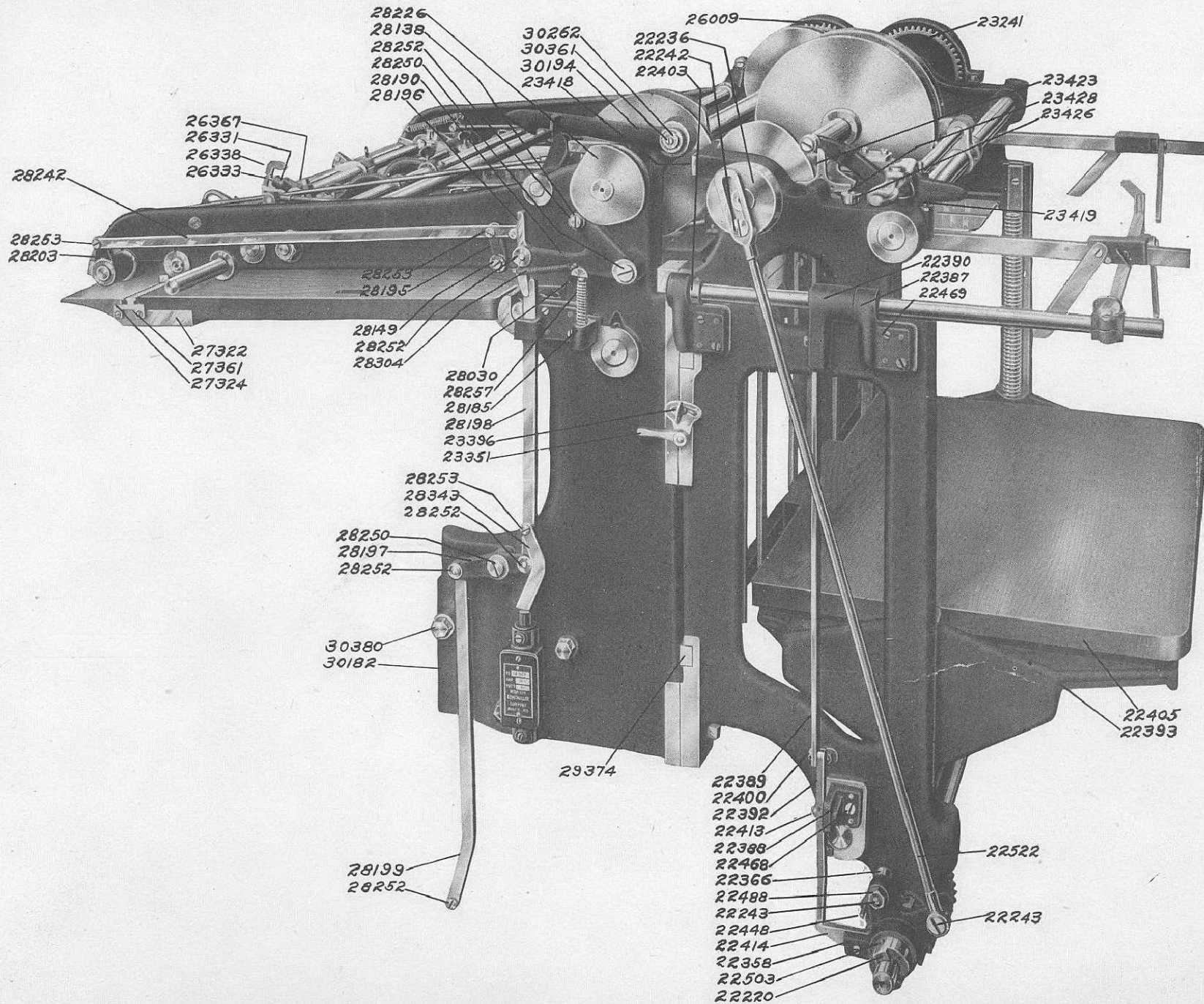


FRAMES, PLATES, GUARDS, RODS, FOR PAPER SEPARATING PARTS

29364	Side Frame [Feeder Side]
29482	1/16 inch Hexagon Head Screw
29470	1/4-24 Headless Screw
29465	10-32 Headless Screw
29365	Side Frame [Gear Side]
29482	1/16 inch Hexagon Head Screw
29391	Side Frame Tie
29506	Tie Pin
29348	Gear Guard
29469	Guard Screw [Threaded in Frame]
29371	Guard Screw [Threaded in Guard]
29255	Paper Guide Plate [Feeder Side]
29456	Plate Screw
29256	Paper Guide Plate [Gear Side]
29456	Plate Screw
29307	Paper Top Guide Plate [Used with 23262]
29539	Paper Top Guide Plate [Feeder Side] Used with 23538
29540	Paper Top Guide Plate [Gear Side] Used with 23538
29451	Plate Screw
29333	Pack Guide Bar [Feeder Side]
29460	Bar Screw
29327	Bar Head
29322	Head Clamp Screw
29334	Pack Guide Bar [Gear Side]
29460	Bar Screw
29328	Bar Head
29322	Head Clamp Screw
29331	Pack Guide Finger
29324	Finger Stud
29429	Finger Stop
29329	Sliding Head [Feeder Side]
29330	Sliding Head [Gear Side]
29323	Head Clamp Screw
29332	Head Support Bar
29460	Bar Screw
29397	1/8 inch Square Support Bar [Used with 23262]
29537	1/8 inch Square Support Bar [Used with 23538]
29478	Bar Screw
29259	Pack Front Guide Rod [Outer]
29257	Pack Front Guide Rod [Feeder Side Inner]
29258	Pack Front Guide Rod [Gear Side Inner]
29464	Rod Screw
29373	Guide Rod Support Bar [Upper]
29374	Guide Rod Support Bar [Lower]
29469	Bar Screw

FRAMES, PLATES, RODS, FOR CONVEYOR PARTS

30182	Main Frame [Feeder Side]
30380	1/16 inch Hexagon Head Screw
30369	1/4-24 Headless Screw
30364	10-32 Headless Screw
30183	Main Frame [Gear Side]
30380	1/16 inch Hexagon Head Screw
30369	1/4-24 Headless Screw
30364	10-32 Headless Screw
30181	Swing Frame [Feeder Side]
30180	Swing Frame [Gear Side]
30022	Frame Trunnion Sleeve
30090	Frame Tie Rod
30384	Tie Rod Nut
30237	Frame Stop Pin [Feeder Side]
30133	Frame Stop Pin [Gear Side]
30312	Section of Feed Board [Feeder Side]
30311	Section of Feed Board [Center]
30310	Section of Feed Board [Gear Side]
30415	Feed Board Screw
30279	Feed Board Extension Plate
30352	Plate Screw [Front]
30354	Plate Screw [Rear]
30327	Feed Board Trunnion Bracket
30319	Trunnion Bracket Connection
30194	Feed Board Latch
30262	Latch Washer
30361	Washer Screw
30274	Sheet Guide Finger Bar
30363	Bar Screw
30263	Paper Top Guide [Gear Side]
30264	Paper Top Guide [Center]
30265	Paper Top Guide [Feeder Side]
30246	Clamp Screw
30092	Top Guide Supporting Bar [Long]
30233	Top Guide Supporting Bar [Short]
30396	Bar Pin
30127	Bar Collar
30394	Collar Pin



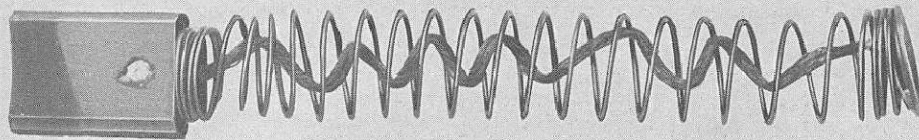
Diagrams and Parts Numbers of

**MOTOR BRUSHES AND MONITOR
CONTROLLERS**

DIRECT AND ALTERNATING CURRENT

When ordering Electrical Parts always give the Serial Number and Voltage, and the Serial Number of the Kelly Press.

When ordering Parts for controllers not covered in diagrams, a complete copy of controller data plate should be given, and if possible a sketch of the part required.



110-220-440 A. C.

$\frac{1}{2}$ H. P.-TYPE S. A.

60-50-40-25 CYCLE
2 TO MOTOR

(New Brushes $\frac{7}{8}$ in. long, $\frac{5}{8}$ in. wide, $\frac{5}{16}$ in. thick)

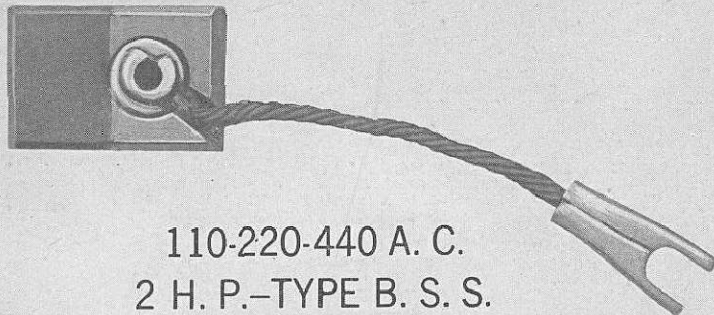


110-220-440 A. C.

$\frac{1}{2}$ H. P.-TYPE R. S. A.

60-50-40-25 CYCLE
4 TO MOTOR

(New Brushes $\frac{15}{16}$ in. long, $\frac{5}{16}$ in. square)



110-220-440 A. C.

2 H. P.-TYPE B. S. S.

(NEW STYLE)
(8 TO MOTOR)
60-50-40-25 CYCLE

(New Brushes $\frac{3}{4}$ in. wide, $1\frac{1}{8}$ in. long, $\frac{5}{16}$ in. thick)

110-220 D. C.

$\frac{1}{4}$ H. P.-TYPE R. T.

2 BRUSHES TO MOTOR

(New Brushes $1\frac{1}{16}$ in. long, $\frac{1}{2}$ in. wide, $\frac{3}{8}$ in. thick)

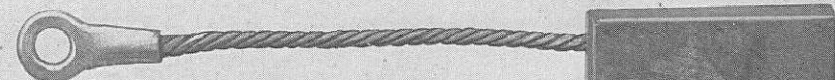


110-220-500 D. C.

$\frac{1}{2}$ H. P.-TYPE R. T.

2 BRUSHES TO MOTOR

(New Brushes $1\frac{1}{4}$ in. long, $\frac{7}{8}$ in. wide, $\frac{7}{16}$ in. thick)

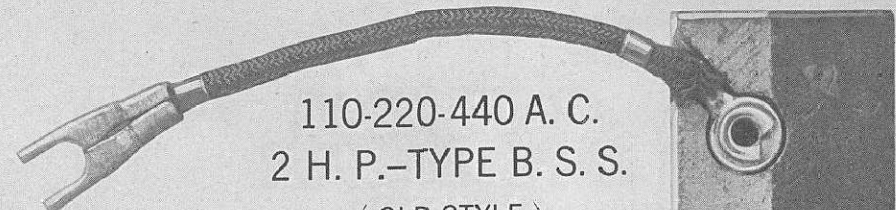


110-220-500 D. C.

1 H. P.-TYPE R. T.

2 BRUSHES TO MOTOR

(New Brushes $1\frac{1}{4}$ in. long, $1\frac{1}{8}$ in. wide, $\frac{7}{16}$ in. thick)

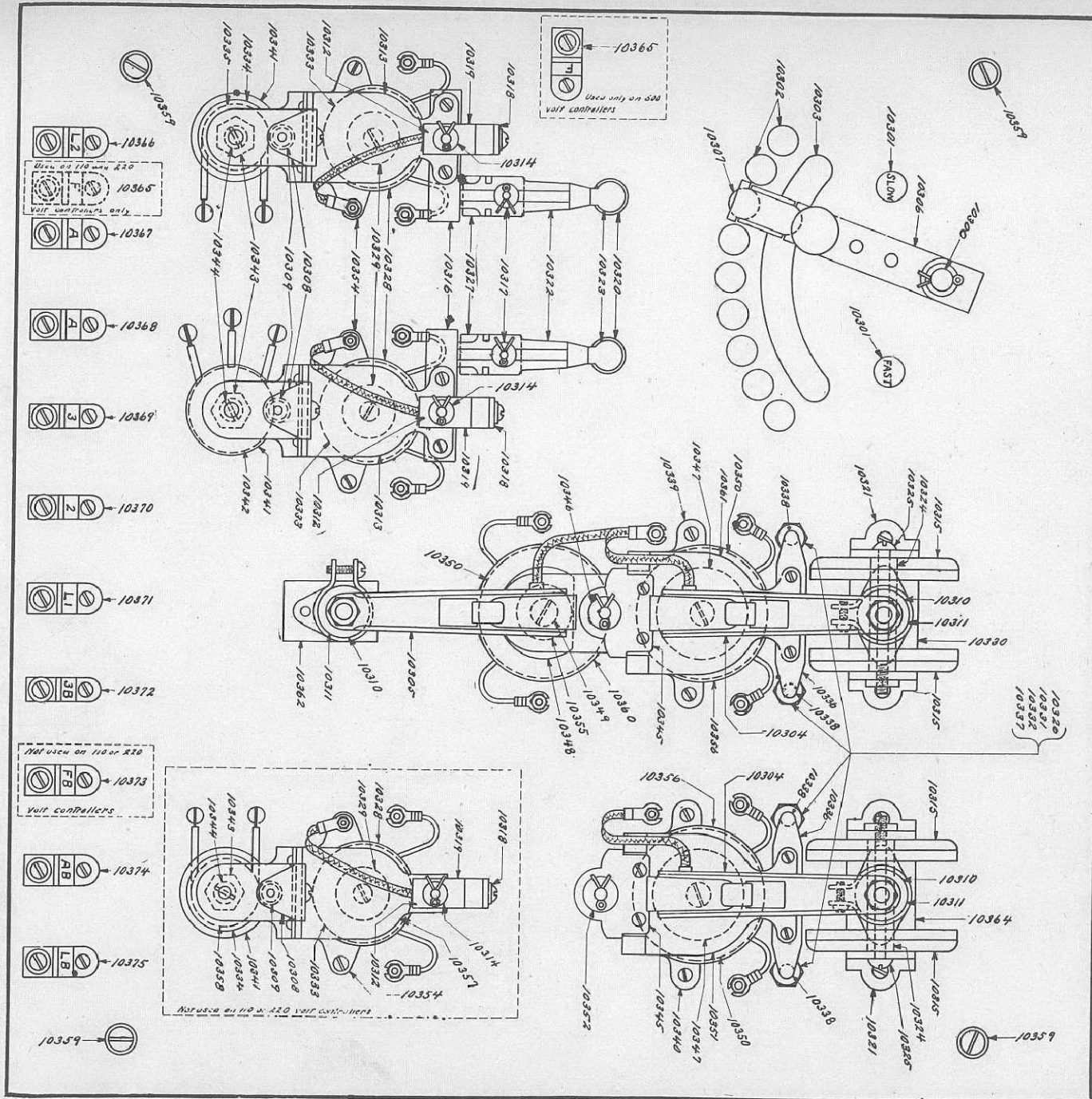


110-220-440 A. C.

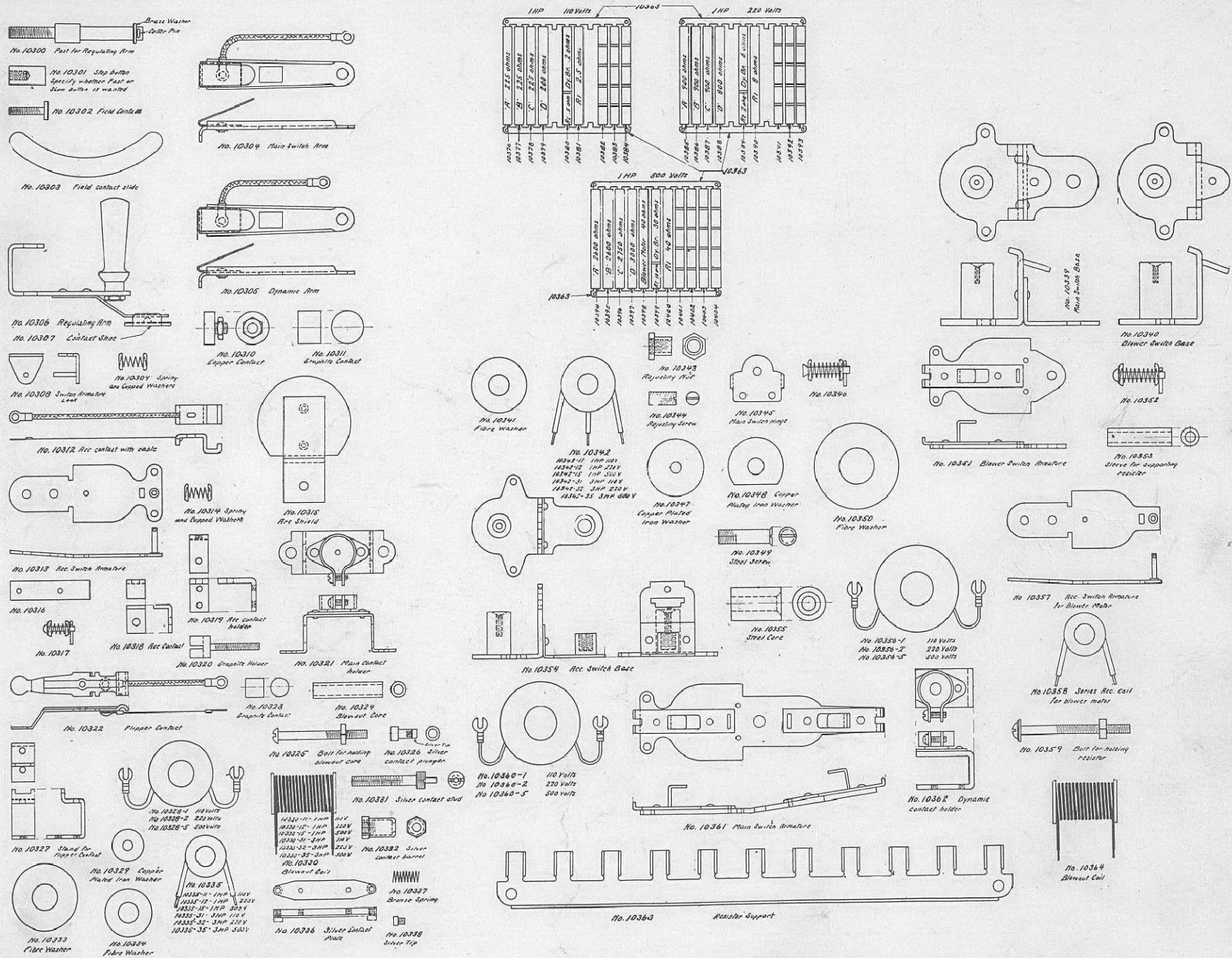
2 H. P.-TYPE B. S. S.

(OLD STYLE)
(4 TO MOTOR)
60-50-40-25 CYCLE

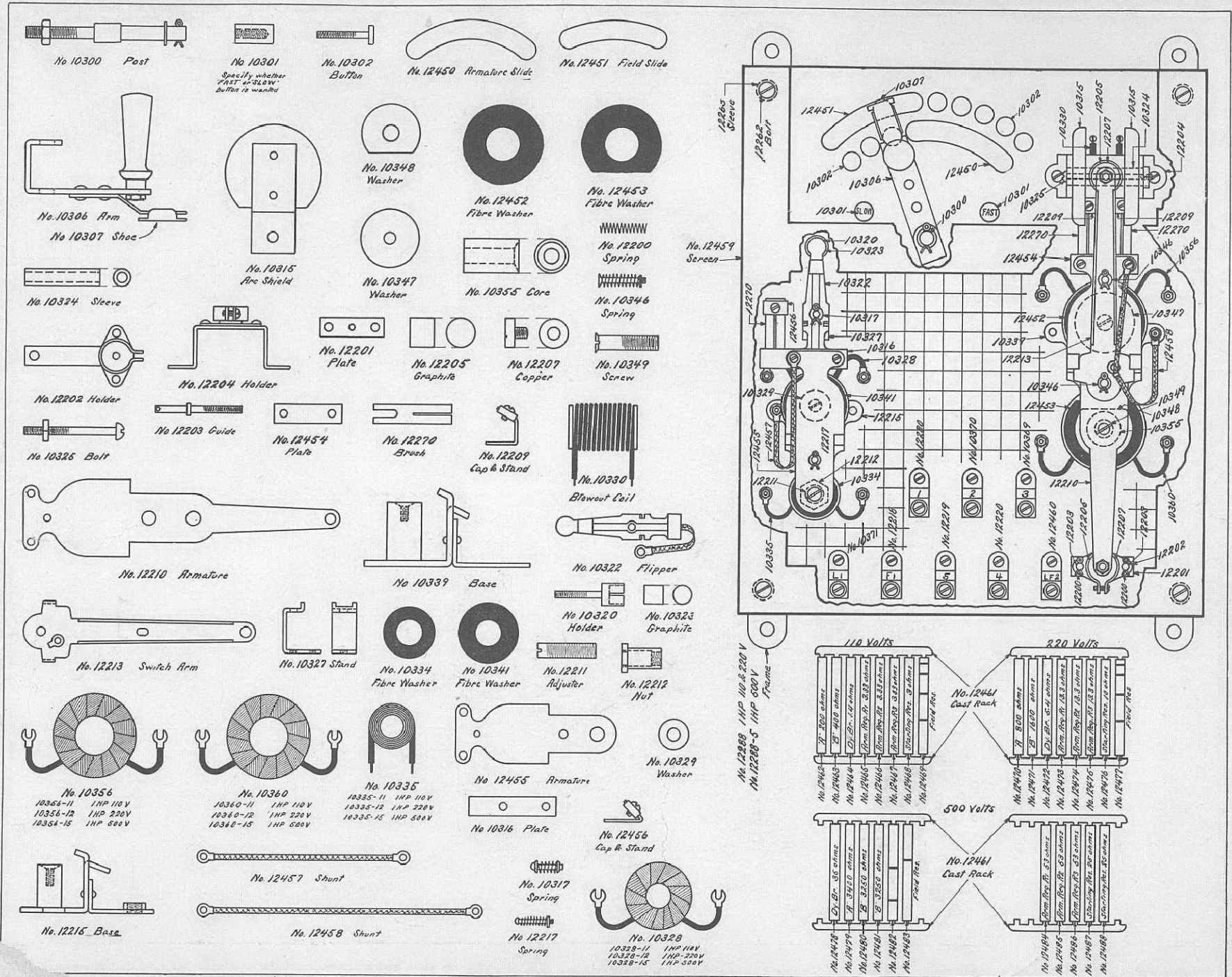
(New Brushes $1\frac{1}{4}$ in. wide, $1\frac{1}{8}$ in. long, $\frac{5}{16}$ in. thick)



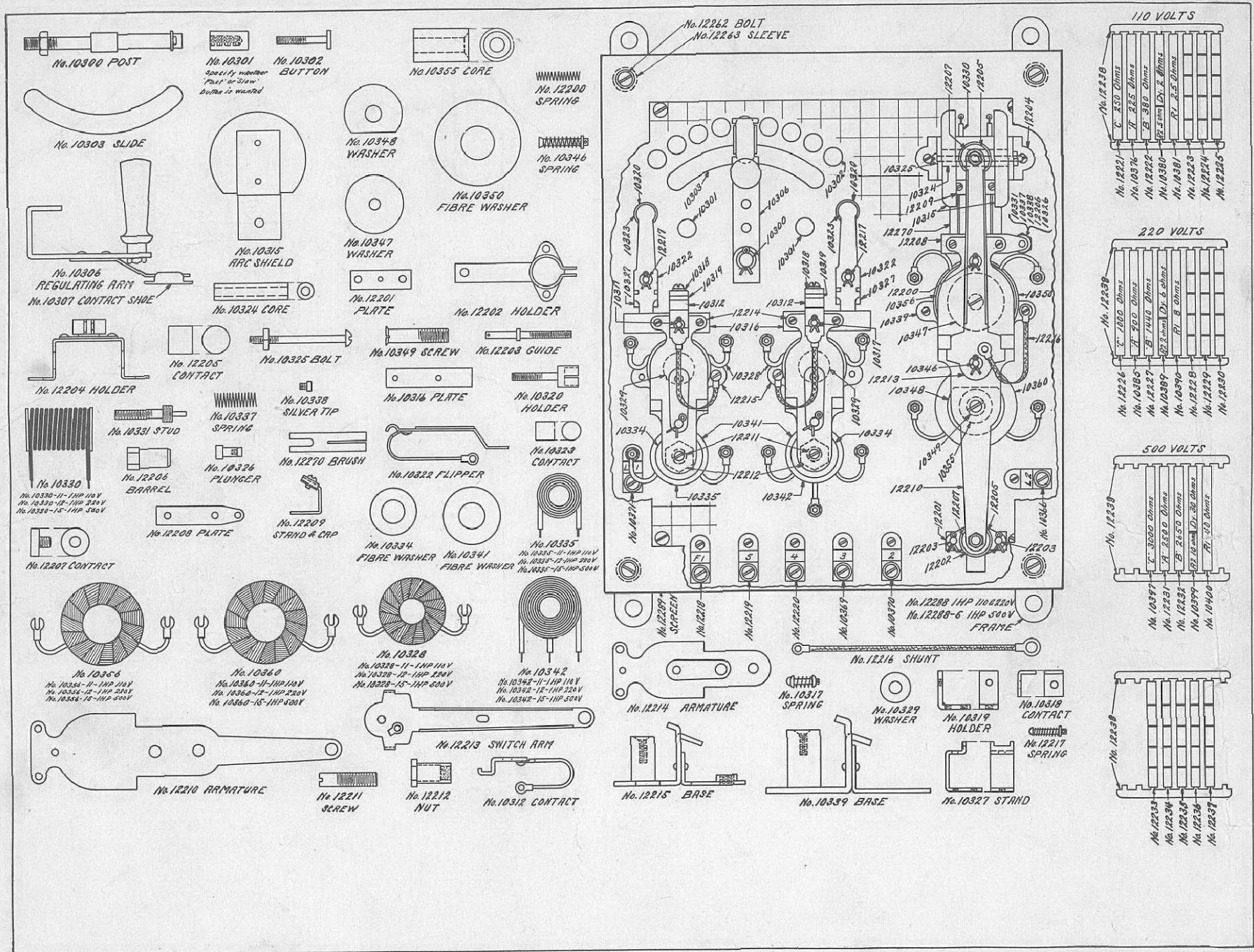
Type 5705 Direct Current Controller—110, 220, 500 Volts (attached to presses Serial No. 2209 and up).



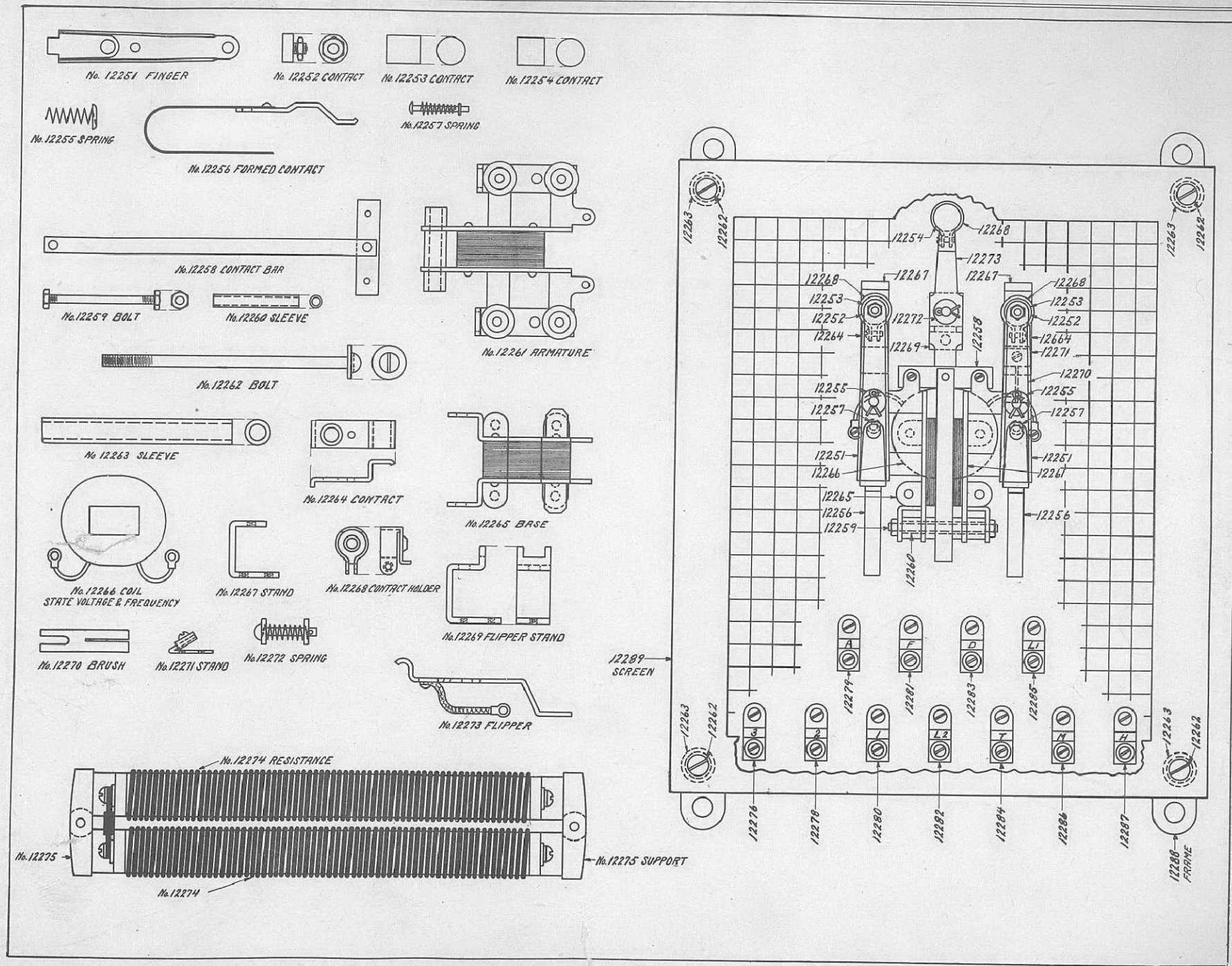
Parts for Type 5705 Direct Current Controller—110, 220, 500 Volts (attached to presses Serial No. 2209 and up).



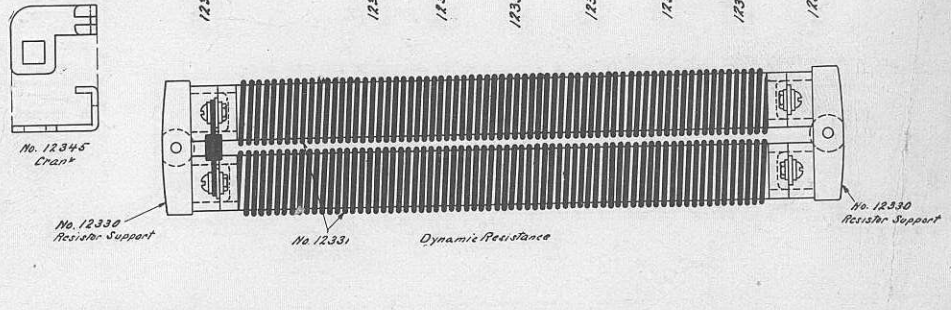
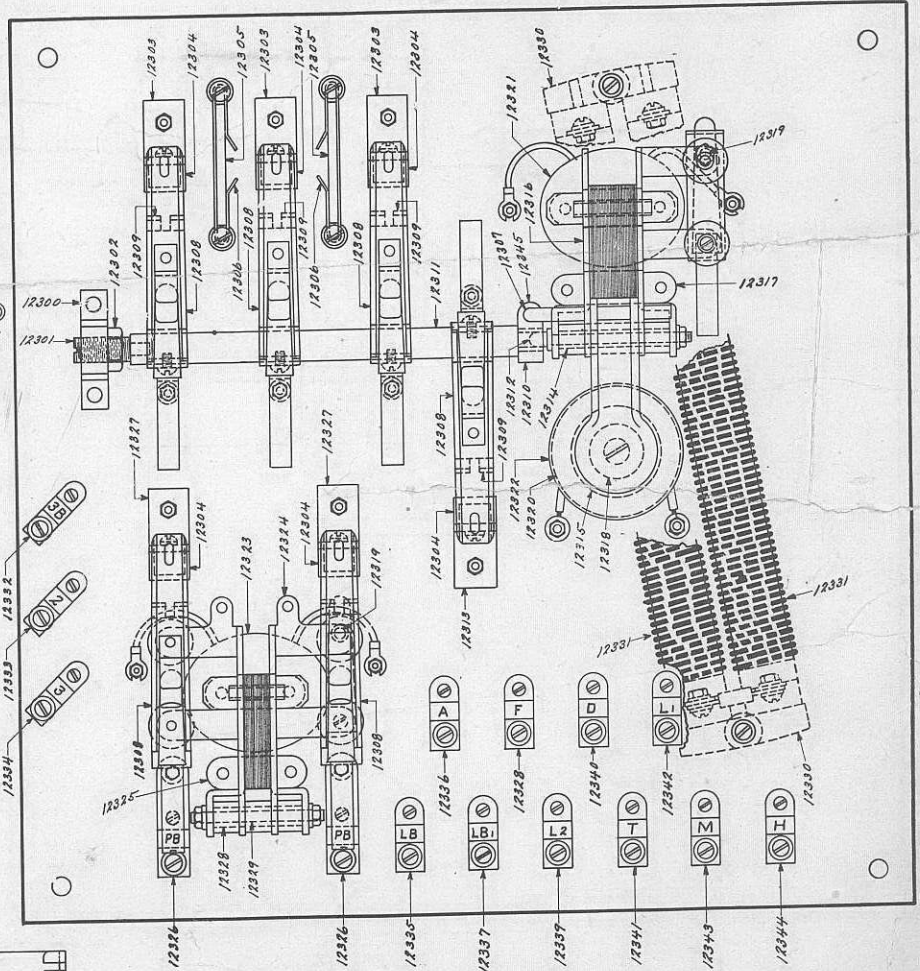
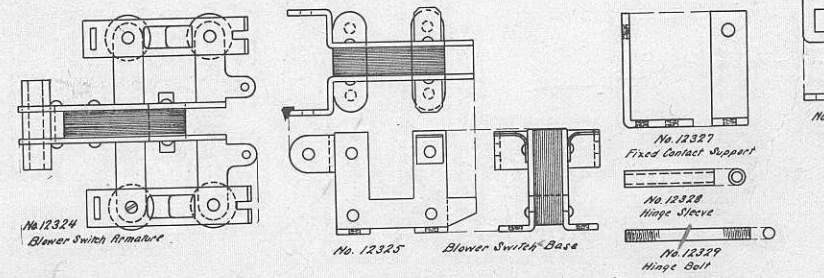
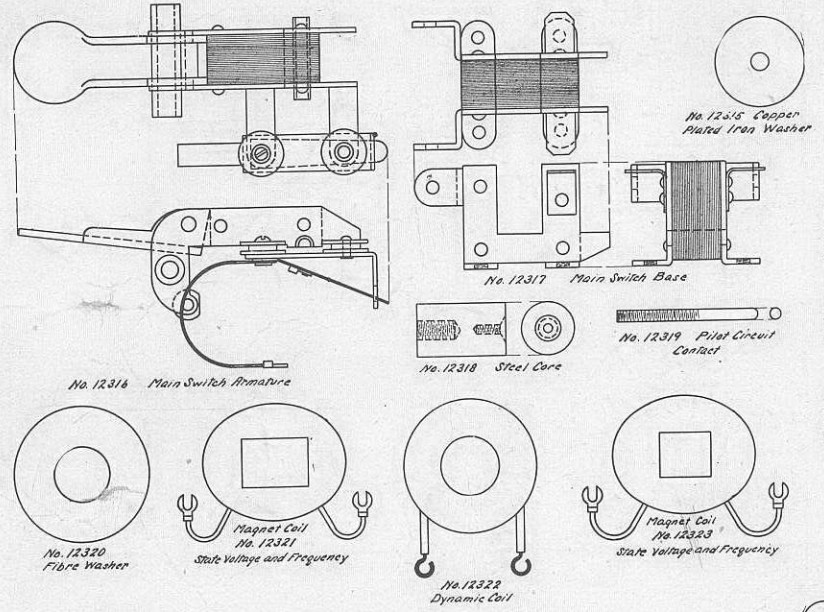
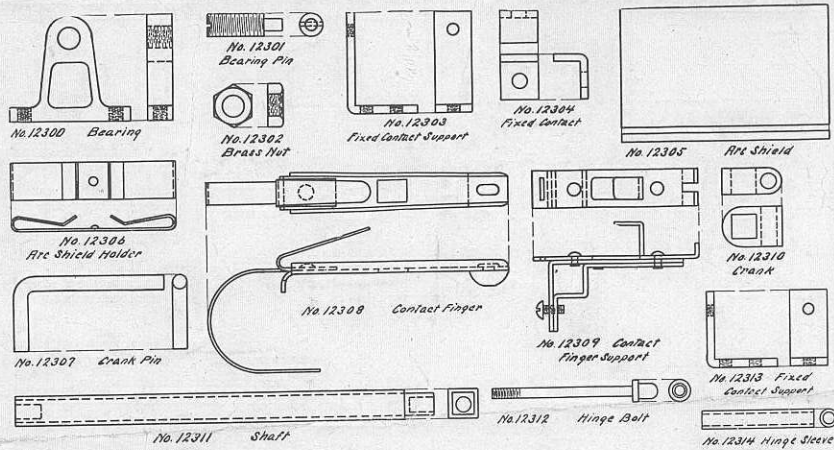
Parts for Type 540A Direct Current Controller—110, 220, 500 Volts.



Parts for Types 537 and 539 Direct Current Controllers—110, 220, 500 Volts.

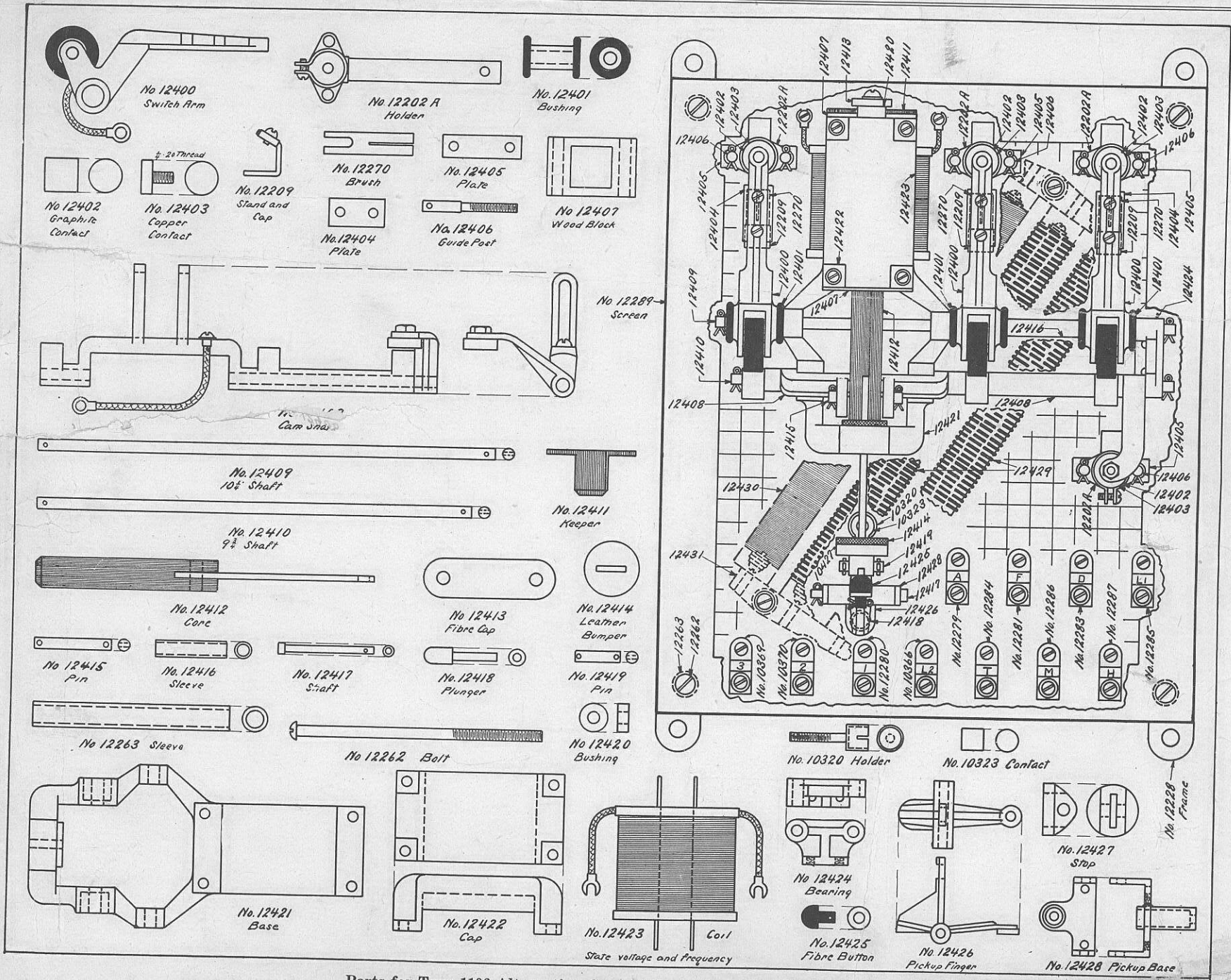


Parts for Type 1116 Alternating Current Controller—110, 220, 440 Volts.



Type 8605 Alternating Current Controller—110, 220, 440 Volts (attached to presses Serial No. 2227 and up).

THE KELLY PRESS MONITOR CONTROLLER PARTS



Parts for Type 1106 Alternating Current Controller—110, 220, 440 Volts.