

# VANDERCOOK

## DIRECTIONS

Model No. 320

Serial No. \_\_\_\_\_



### **VANDERCOOK & SONS, INC.**

*General Offices — 900 North Kilpatrick Avenue, Chicago 51, Illinois*

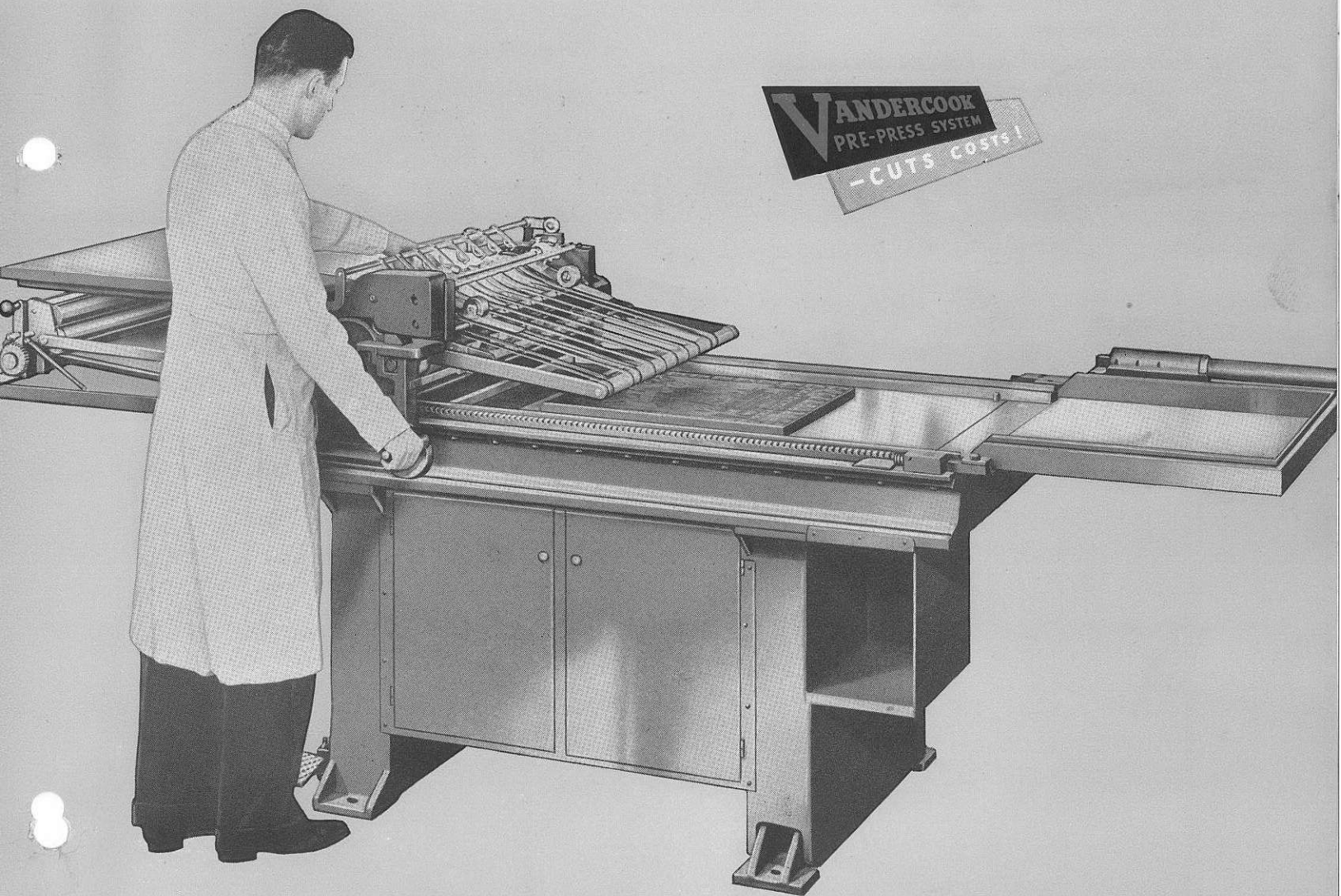
*Chicago Display Room — 630 South Dearborn Street*

*Eastern Branch — 216 East 45th Street, New York 17, N. Y.*

*Western Branch — 1151 S. Broadway, Los Angeles 15, Calif.*

**No. 320G**  
**No. 325G No. 325A**  
**VANDERCOOK**  
**PROOF PRESSES**

**VANDERCOOK**  
PRE-PRESS SYSTEM  
- CUTS COSTS !



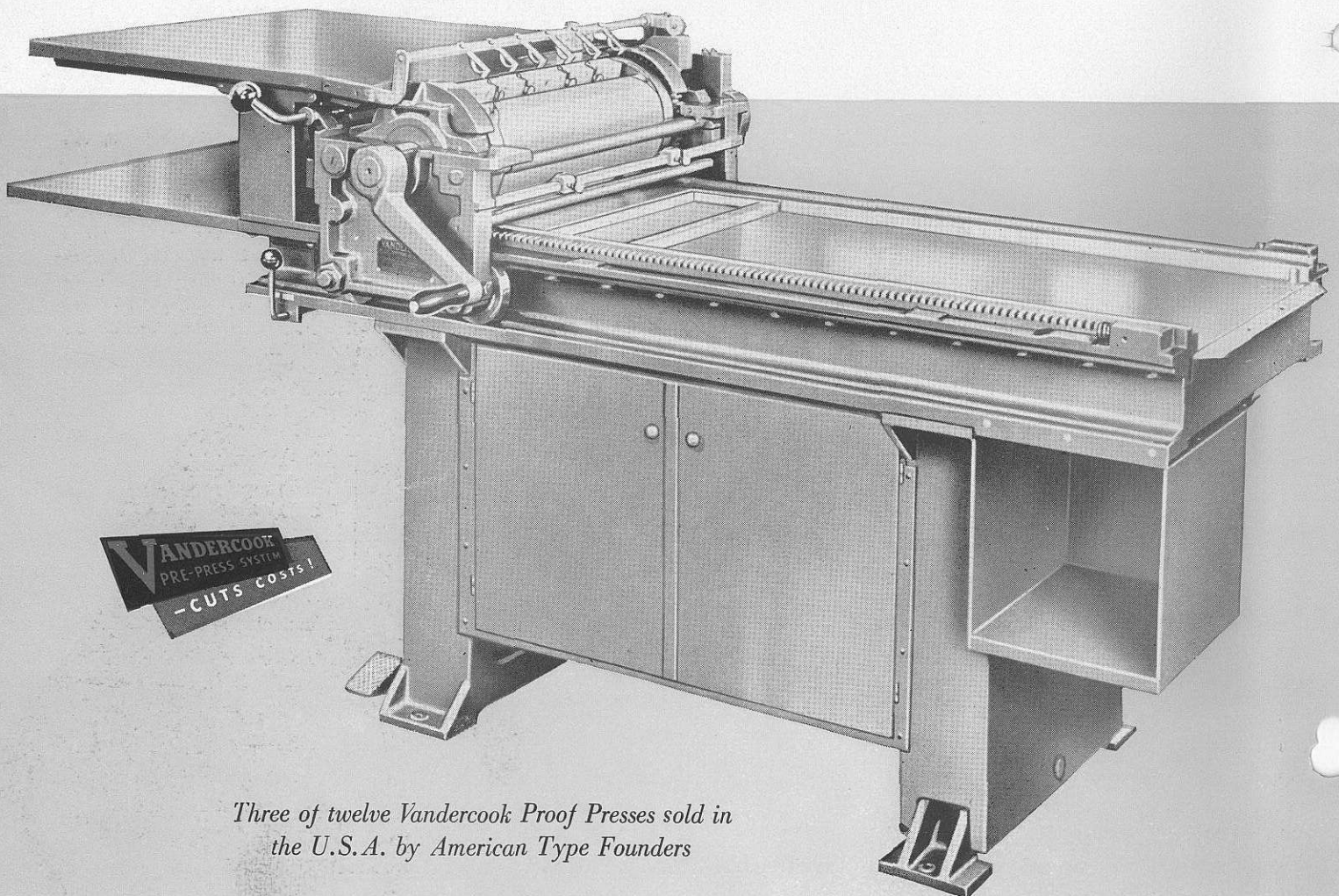
# No. 320G and No. 325G ...

## *the ALL-Purpose Vandercook Proof Presses for handling forms up to Newspaper Page Size*

These two machines are very suitable for printers, typesetters and publishers where the volume of proofs is not sufficient to justify the installation of faster, power operated equipment. In construction, general features and performance the two machines are identical. They differ only in size—the No. 320G having 20" between bearers while the No. 325G has 25". Both will print forms up to 24½" long . . . and each will handle sheets up to 27" in length. To help speed up production, when proofs are needed in volume, both the Nos. 320G and 325G may be equipped with an Automatic Sheet Delivery and Ink Fountain, as shown on page one.

### S P E C I A L F E A T U R E S

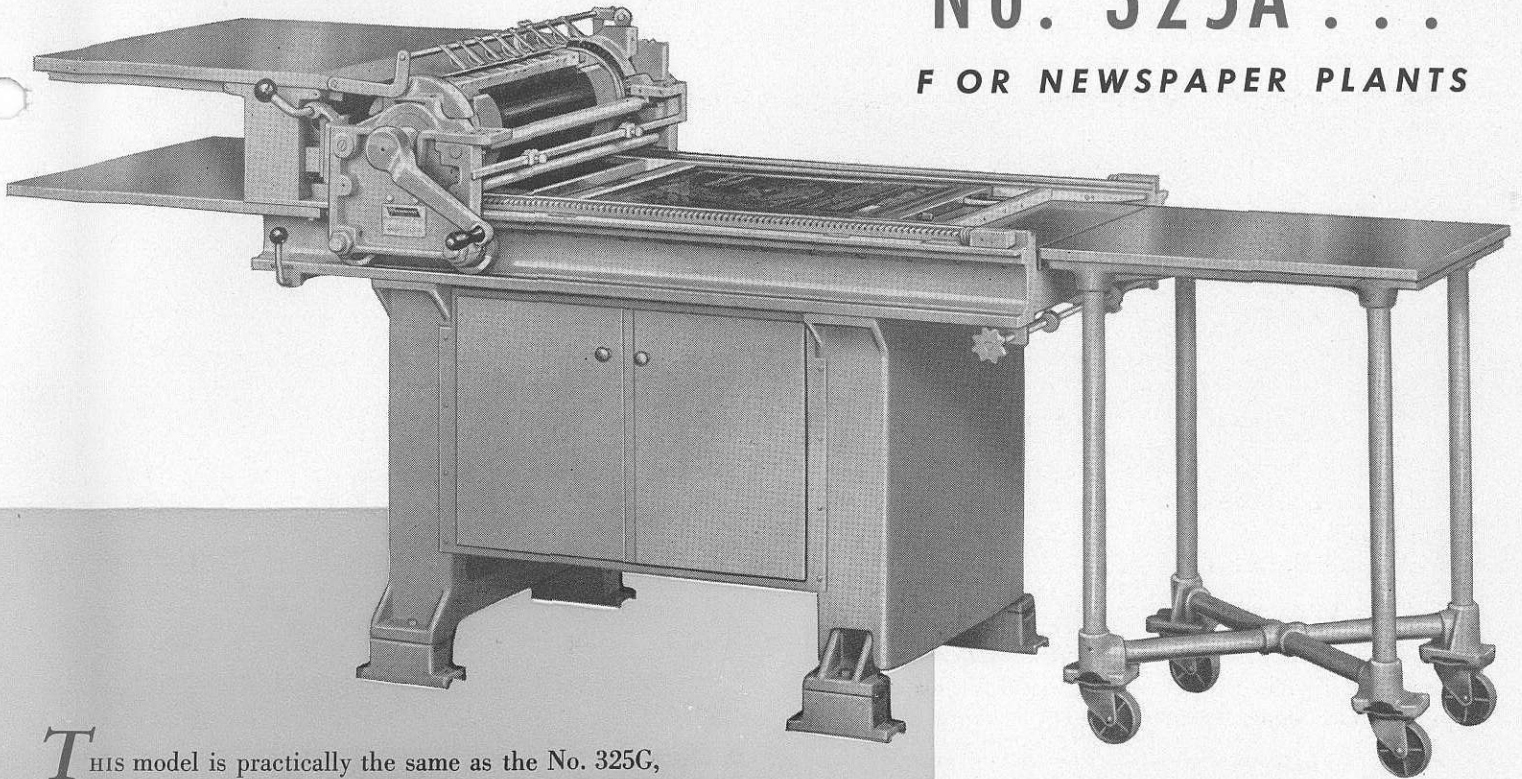
- 1 Rigid accurate impressions due to heavy bed and full ball bearing cylinder construction, which permit rigid impression setting (200 lbs. per lineal inch) and also insure easy operation.
- 2 Three point suspension of base avoids twisting of bed.
- 3 Three-inch synthetic rubber form rollers, steel vibrator, steel rider rollers, and large steel ink plate break up and thoroughly distribute the ink.
- 4 Easy to wash up.
- 5 Steel vibrator and rider rollers automatically lifted from rollers when inking carriage is tripped.
- 6 Micrometer side and front guides facilitate accurate register.
- 7 Adjustable spring steel fingers hold sheets firmly to impression cylinder while being printed.
- 8 Cylinder grippers automatically take sheets fed one at a time to guides on feed board. For hairline register, grippers may be opened by a foot pedal.
- 9 Extra large bumper springs and cylinder brakes insure fast, smooth operation.
- 10 Steel storage cabinet under bed.



*Three of twelve Vandercook Proof Presses sold in the U.S.A. by American Type Founders*

# No. 325A . . .

## F OR NEWSPAPER PLANTS



**T**HIS model is practically the same as the No. 325G, excepting that it is specially equipped for use in newspaper plants. For this reason, it is preferred by many of the country's daily and weekly newspapers for handling all sized proofs from 4"x6" up to 24 $\frac{3}{4}$ "x27".

### *End of Bed is Adjustable*

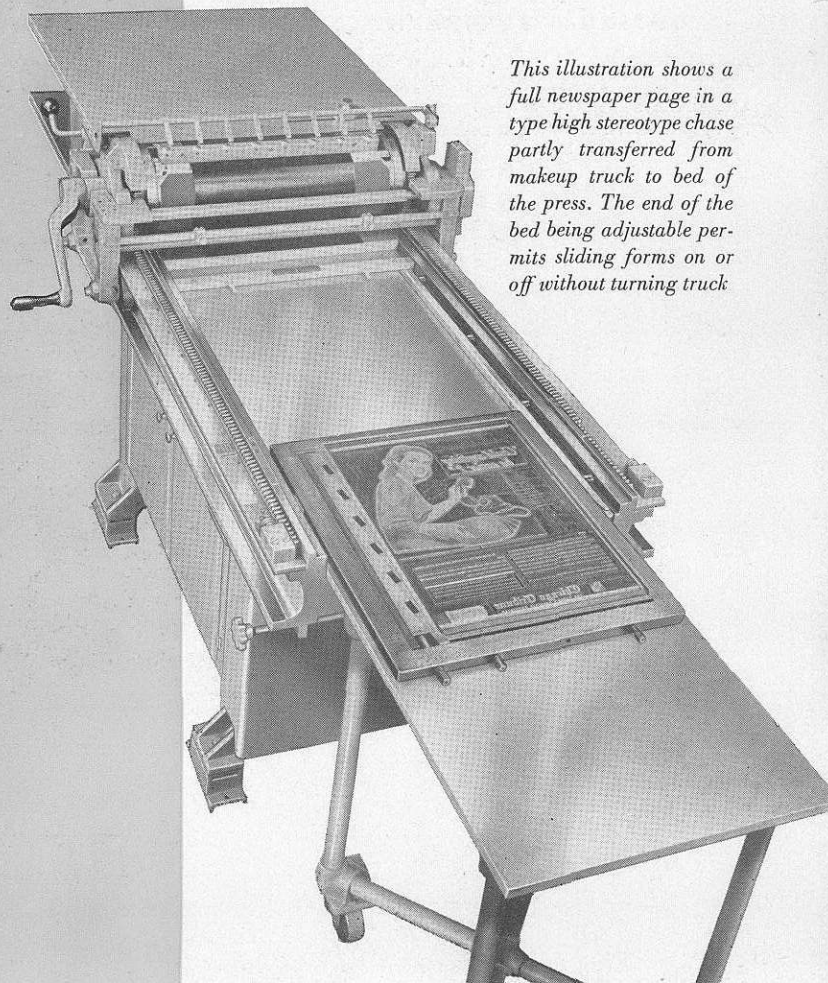
To facilitate the transferring of newspaper pages in chases to and from makeup trucks, the No. 325A is provided with an eccentric mechanism controlled by a knob (visible in illustration above, below end of bed) that adjusts the height of a special bed plate below or above the level of the makeup truck. This permits sliding forms on or off without turning the trucks. Also, to raise the level of the press bed to that of the makeup truck, the press is equipped with iron raising blocks, as shown in illustration.

### *Will Take Page Forms in Stereotype Chases without Printing the Chase . . .*

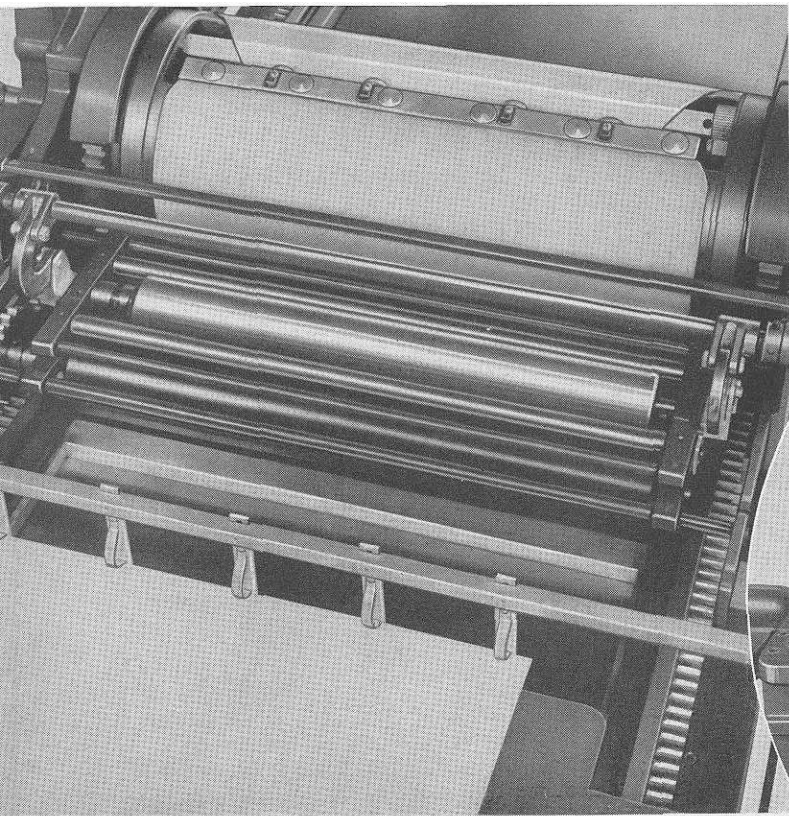
Perhaps the most important feature of the No. 325A is that it will prove a full newspaper page in type high stereotype chase without printing the chase. This is accomplished at the factory by (1) cutting down form rollers in width to clear sides of chase, (2) locating head of chase beyond printing line so it will not print (grippers are below printing line on cylinder to prevent striking the chase) and (3) setting cams provided so that inking rollers automatically trip over the foot of type high stereotype chase.

When proofs are needed in sufficient volume, the No. 325A may be equipped with an automatic sheet delivery and ink fountain to help speed up production.

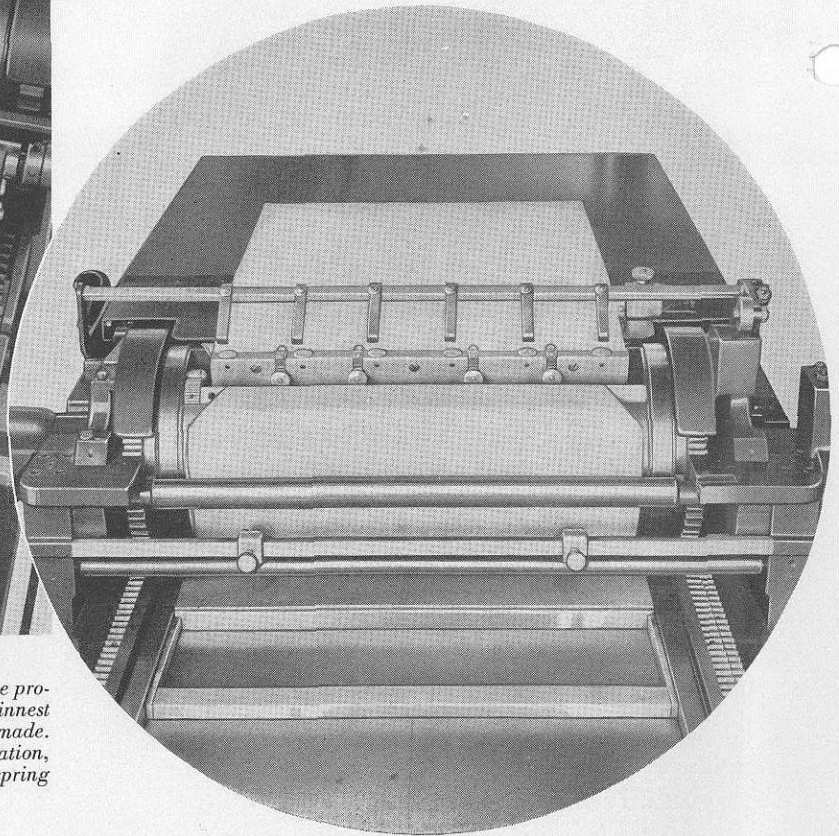
*Above is the standard No. 325A Vandercook Hand Proof Press equipped with iron raising blocks and knob for controlling eccentric mechanism that adjusts bed plate to makeup truck height.*



*This illustration shows a full newspaper page in a type high stereotype chase partly transferred from makeup truck to bed of the press. The end of the bed being adjustable permits sliding forms on or off without turning truck*



To the left is illustrated the automatic inking system of the No. 320G, No. 325G and the No. 325A. This consists of two 3" synthetic rubber form rollers, a steel vibrator, two steel riders, and polished steel ink plate 20" long.



Sturdily constructed grippers, shown on the right, are provided to insure even and adequate pull on the thinnest papers. Front and side guide adjustments are easily made. To keep sheets close to cylinder during printing operation, machines are equipped with special adjustable spring steel sheet holders.

## No. 320G HAND PROOF PRESS

### OPTIONAL EQUIPMENT

Automatic sheet delivery\* . . . Ink fountain\* with synthetic rubber ductor roller, steel vibrator, additional ink plate and extra roller core . . . Counter . . . Celluloid register punch.

### STANDARD EQUIPMENT

Galley thickness bed plate . . . Combination foot operated and automatic cylinder grippers . . . Adjustable sheet guides . . . Cylinder trip . . . Steel cabinet with covered shelves . . . Delivery board . . . Handy lockup bar . . . Head dead line bar . . . Synthetic rubber inking rollers . . . Extra roller stocks . . . Tympan including blanket . . . 12 die cut undersheets . . . 12 die cut drawsheets . . . Necessary tools.

### SPECIFICATIONS

Bed size 20" x 46 $\frac{1}{4}$ " . . . Maximum sheet 19 $\frac{3}{4}$ " x 27" . . . Maximum form 19" x 24 $\frac{1}{2}$ " . . . Floor space 2'11" x 7'9" (with automatic delivery 2'11" x 9'9") . . . Crated shipping weight—2000 Lbs. . . Finished in machine tool gray.

\*When not ordered with the press, an additional charge is made for installing Automatic Sheet Delivery and Ink Fountain.

## No. 325G HAND PROOF PRESS

### OPTIONAL EQUIPMENT

Automatic sheet delivery\* . . . Ink fountain\* with synthetic rubber ductor roller, steel vibrator, additional ink plate and extra roller core . . . Counter . . . Celluloid register punch.

### STANDARD EQUIPMENT

Galley thickness bed plate . . . Combination foot operated and automatic cylinder grippers . . . Adjustable sheet guides . . . Cylinder trip . . . Steel cabinet with covered shelves . . . Delivery board . . . Handy lockup bar . . . Dead line bar . . . Synthetic rubber inking rollers . . . Extra roller stocks . . . Tympan including blanket . . . 12 die cut undersheets . . . 12 die cut drawsheets . . . Necessary tools.

### SPECIFICATIONS

Bed size 25" x 46 $\frac{1}{4}$ " . . . Maximum sheet 24 $\frac{3}{4}$ " x 27" . . . Maximum form 24" x 24 $\frac{1}{2}$ " . . . Floor space 3'4" x 7'9" (with automatic delivery 3'4" x 9'9") . . . Crated shipping weight 2300 lbs. . . Finished in machine tool gray.

## No. 325A HAND PROOF PRESS

### OPTIONAL EQUIPMENT

Automatic sheet delivery\* . . . Ink fountain\* with synthetic rubber ductor roller, steel vibrator, additional ink plate and extra roller core . . . Counter.

### STANDARD EQUIPMENT

Galley thickness bed plate . . . Automatic cylinder grippers . . . Cylinder trip . . . Steel cabinet with covered shelves . . . Delivery board . . . Iron raising blocks to bring bed of press up to height of make-up trucks . . . Automatic inking roller trip to prevent type-high stereotype chases from printing . . . Adjustable bed for easy transfer of newspaper pages from make-up trucks . . . Adjustable bed bars to position chase on bed . . . Synthetic rubber inking rollers . . . Extra roller stocks . . . Tympan including blanket and patent drawsheet . . . One extra patent drawsheet . . . Necessary tools.

### SPECIFICATIONS

Bed size 25" x 46 $\frac{1}{4}$ " . . . Maximum sheet 24 $\frac{3}{4}$ " x 27" . . . Maximum form 24" x 24 $\frac{1}{2}$ " . . . Floor space 3'4" x 7'9" (with automatic delivery 3'4" x 9'9") . . . Crated shipping weight 2400 Lbs. . . Finished in machine tool gray.



## VANDERCOOK & SONS, INC.

Main Office & Plant: 900 N. Kilpatrick Ave., Chicago 51, Ill.

Eastern Branch: 216 East 45th St., New York 17, N.Y.

Western Branch: 1151 S. Broadway, Los Angeles 15, Calif.

320 G

## INDEX TO INSTRUCTIONS

- |                  |                       |
|------------------|-----------------------|
| A. Install Press | F. Repacking Cylinder |
| B. Clean Press   | G. Set Form Rollers   |
| C. Lubrication   | H. Starting a Job     |
| D. Ink Up Press  | I. Wrinkles           |
| E. Washup Press  |                       |

### A. INSTALL PRESS

Place press on a firm foundation. Lay a spirit level on the bed and level the bed by placing shims under legs as required. If press is a No. 325A with newspaper equipment, the following additional installation instructions apply. No. 325A Machines are equipped with iron raising blocks under the legs to bring the bed up to the height of the makeup trucks. When leveling press, adjust height of bed so that the adjustable bed in lowered position is about 1/3" lower than the low end of the truck. When it is desired to slide pages from press to truck, the end of the bed is raised by means of the hand lever. The end of the bed of the press will then be higher than the truck. Adjust the two set screws at the head of the press so the first line of the page just comes within the printing surface. Adjust the two cans that lift the inking carriage so the inking rollers are lifted over the foot of the chase. Run clean inking rollers over an inked chase and cut rollers so they will not touch sides of chase. The head of the chase will not print because it is beyond the printing line. The grippers are below the printing line and will not strike the type high chase. The chase must always be placed against the same side of the press so the inking rollers will ink the page without touching the chase.

### B. CLEAN PRESS

It is essential that bed and cylinder bearers are kept clean. After cleaning, wipe with an oily rag. Do not allow dirt to accumulate on bed or bed plate. This will assure a true impression of the type or forms. Keep bottoms of cylinder gears and bed racks free from dirt and paper dust.

### C. LUBRICATION

#### Oil Every 50 Hours of Press Operation

Fill all oil holes and cups with S.A.E. 20 Motor Oil. Oil gripper stems when grippers are open. Lubricate vibrator worm on form roller carriage and fountain ductor carriage with vaseline. All other bearings are lubricated and sealed at factory and require no further attention under normal conditions.

### D. INK UP PRESS

Apply ink to vibrator and with form roller lever down move cylinder through the complete stroke several times to distribute the ink evenly on all rollers.

### E. WASH UP PRESS

Remove rider and vibrator frame on top of form rollers to ink plate. Swing out form rollers so that carriage support rods rest in outer notches provided. Wash form rollers and replace carriage in operating position by raising form roller lever. Wash rider and vibrator rollers and replace on form roller carriage, making sure form roller lever is raised to keep rollers separated. Wash ink plate.

#### F. REPACKING CYLINDER

The cylinder cut is .070" on the No. 325G and .105" on the No. 325A. The packing is made up of one draw sheet, two undersheets directly under the drawsheet, one blanket and one or more sheets next to cylinder, to make up the total thickness of the cylinder cut. It is good practice to change one undersheet - next to drawsheet - whenever the drawsheet is changed. Die cut undersheets, drawsheets and blankets can be obtained from Vandercook & Sons, Inc. The entire packing should be measured with a micrometer before attaching to cylinder, or place a straight edge across cylinder bearers and packing after attaching the packing to the cylinder, to make sure cylinder is not over or under packed. To change packing, move cylinder away from feed board until reel rod is in the up position. Remove automatic front guide from supports on feed board. Release ratchet with reel rod wrench provided. Loosen drawsheet around reel and grasp entire packing with left hand. Move cylinder back to feed board and lay packing on feed board. Loosen three large fillister head screws on gripper bar about three turns. Remove drawsheet and packing sheet and replace with new sheets. Fasten three fillister head screws, making sure the entire packing is clamped tightly against the cylinder behind gripper bar. Move cylinder away from feed board until reel rod is up and fasten drawsheet. Make sure packing is tight at each edge of cylinder near gripper bar. If either edge of packing is loose - loosen the drawsheet on reel rod and move it away from the loose side. A loose drawsheet at gripper bar will cause the top sheet to become wrinkled and also produce a slur on the printed sheet.

#### G. SET FORM ROLLERS

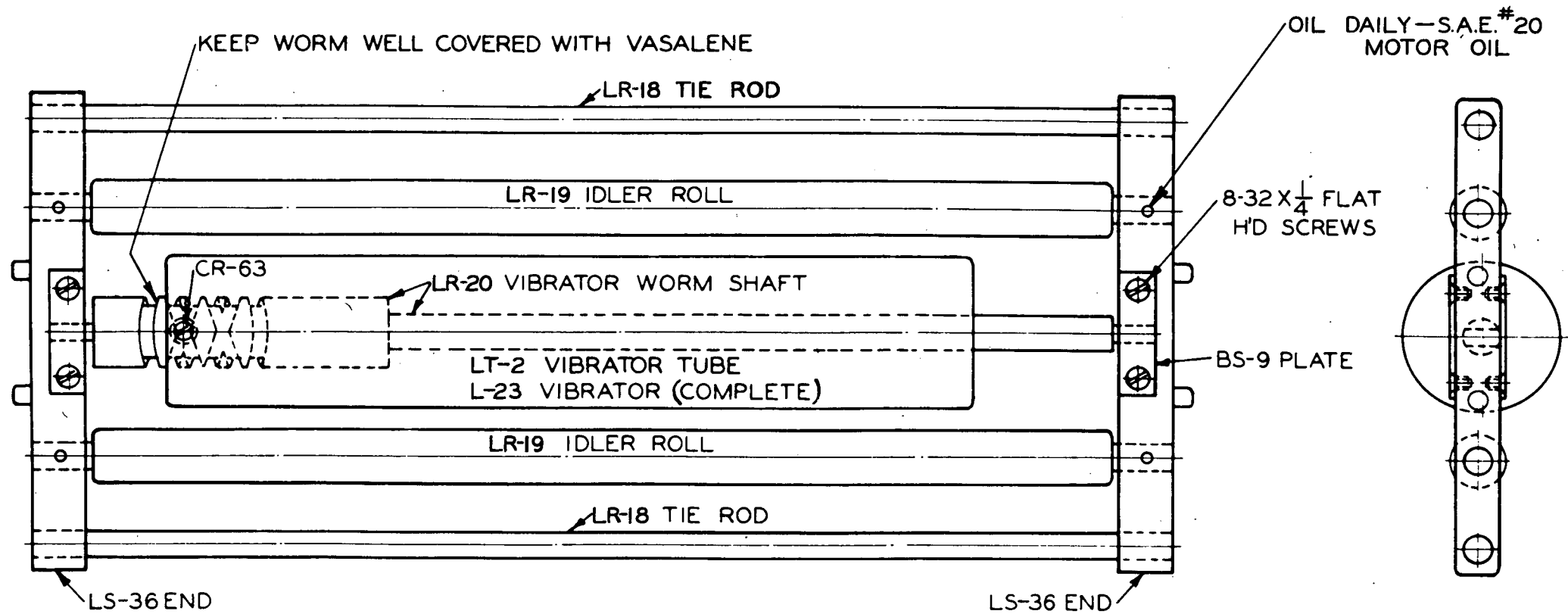
Form Rollers should be checked occasionally with the Vandercook "Nuway" Roller Setting Gauge. To check form rollers, ink them up and remove the vibrator and rider frame. Remove the bed plate. Slide the gauge under the roller near the edge. If the ink mark on gauge is 3/32" wide at each end of each form roller, they are set properly. To adjust the rollers, loosen both center set screws at each end of carriage. Turning the large flat screws clockwise raises the roller and counter clockwise lowers the roller. After adjusting both rollers to correct height, tighten both set screws. This locks the form roller bearings to the ink carriage. All other rollers require no adjustment.

#### H. STARTING A JOB

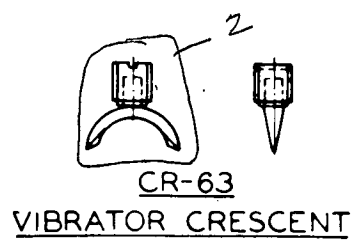
With press inked up, place a form on the bed up to the dead line bar. To increase head margin, insert necessary furniture between form and dead line bar. If a number of proofs are to be taken, the Vandercook Handy Lockup Bar supplied with the press provides a quick method of holding the form in position on the bed. With lever on trip, move cylinder through one complete cycle to ink up form. Set side guide so that the proper side margin will be obtained. Set sheet brush fingers to bear on edge or margins of sheet. Place sheet to front guides on feed board and move cylinder toward feed board until grippers close on sheet. Move lever to print and move cylinder through the printing stroke. At the end of stroke, the sheet will be released for removal. On returning the cylinder to the feed board, the press trips automatically so as not to print on the packing. The press is equipped with foot operated grippers for use when close register on color jobs is required. Do not drop chases on bed plate as this practice may cause the bed plate to buckle. Always be sure to remove bed plate when proving forms in galleys.

#### I. WRINKLES

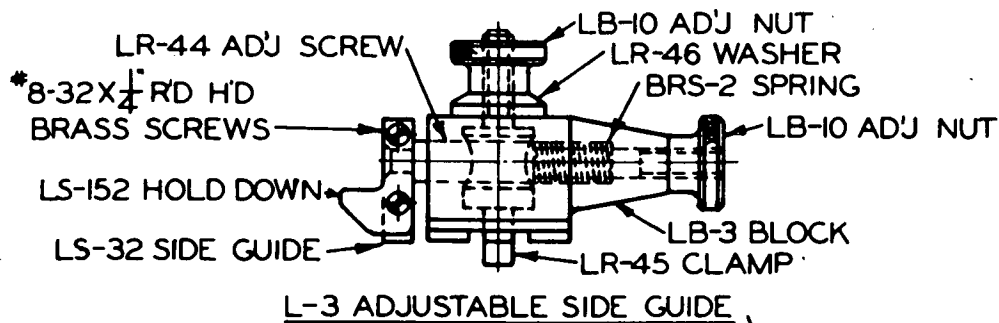
If wrinkles appear in proofs, check sheet brush fingers to make sure that they are contacting the margins of the proof and check the cylinder packing. Over packing will aggravate a wrinkling condition. A slight amount of under packing will usually help overcome wrinkles. It is a good idea when severe wrinkles appear, to take out one undersheet from the cylinder packing and place it under the bed plate. When proving forms in type high stereo chases, it is always a good idea to cut the drawsheet to clear the sides of the chase. Stereo chases are the greatest single cause of wrinkles.



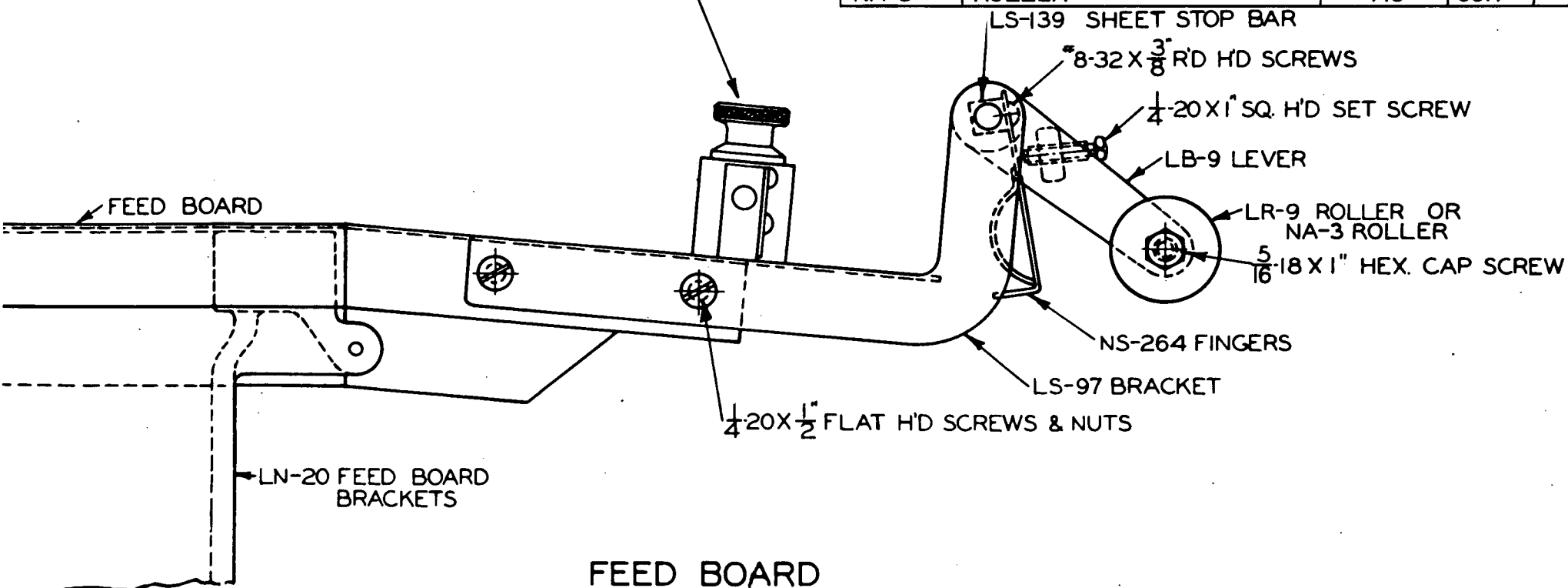
PART NO.	TITLE	PRICE	F.U.	L.U.
L-23	VIBRATOR (COMPLETE)	15.00	4260	
L-48	TOP FRAME (COMPLETE WITH VIB.)	21.00	"	
LR-18	TIE ROD	.40	"	
LR-19	IDLER ROLL	1.50	"	
LR-20	VIBRATOR WORM SHAFT	5.50	"	
LS-36	TOP FRAME END	1.00	"	
LT-2	VIBRATOR TUBE	8.50	"	
BS-9	REST PLATE	.15	"	
CR-63	VIBRATOR CRESCENT	1.00	"	



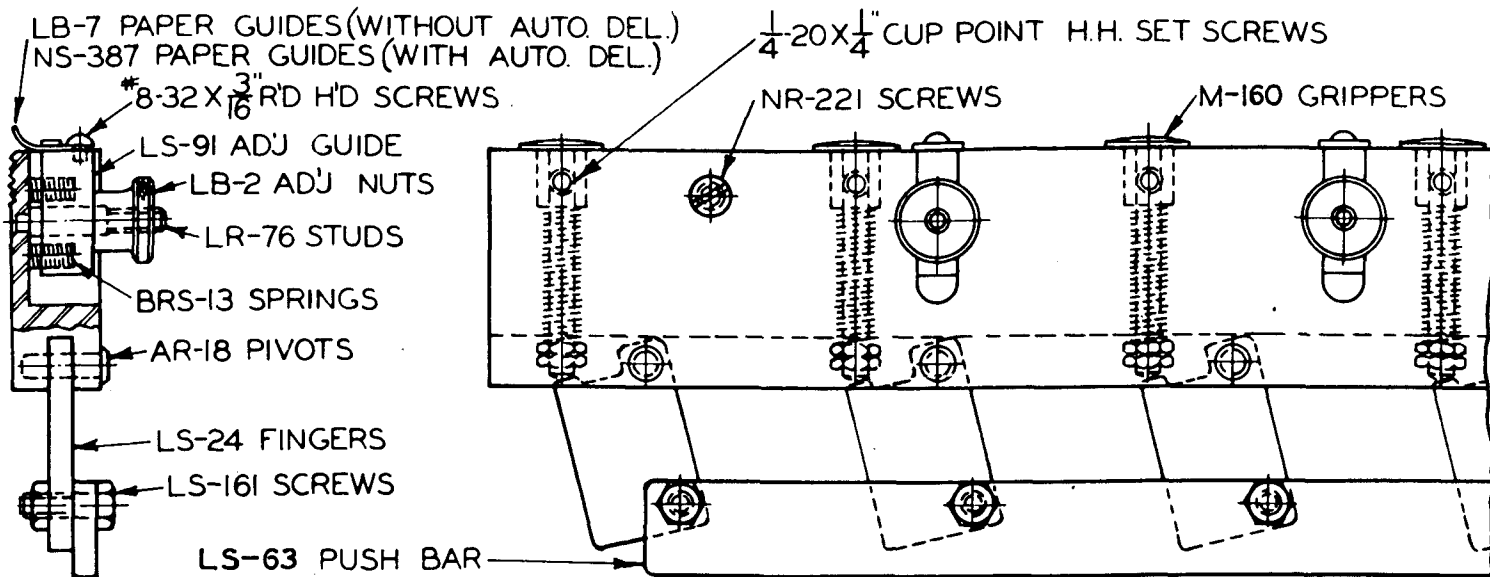
**L-48 TOP FRAME ASSEMBLY**  
**NO. 320 VANDERCOOK PROOF PRESS**



PART NO.	TITLE	PRICE	F.U.	LU.
L-3	ADJ. SIDE GUIDE (COMPLETE)	5.50	4260	
LB-3	BLOCK	3.25	"	
LB-9	LEVER	1.90	"	
LB-10	ADJUSTING NUT	.35	"	
LN-20	FEED BOARD BRACKET	4.50	"	
LR-44	ADJUSTING SCREW	.20	"	
LR-45	CLAMP	.50	"	
LR-46	WASHER	.10	"	
LS-32	SIDE GUIDE	.50	"	
LS-97	BRACKET	1.95	"	
LS-152	HOLD DOWN	.45	"	
BRS-2	SPRING	.10	"	
LR-9	ROLLER	.35	"	5991
LS-139	SHEET STOP BAR	2.85	"	
NS-264	FINGERS	.50	"	
NA-3	ROLLER	.45	6017	



**FEED BOARD**  
**NO.320 VANDERCOOK PROOF PRESS**

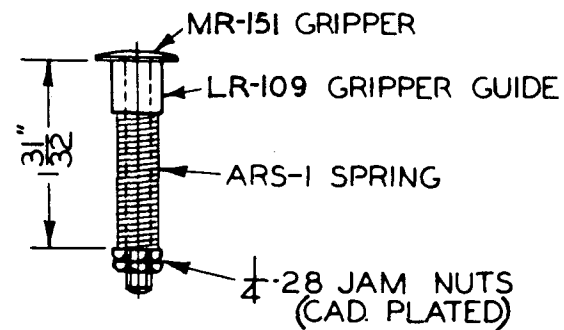


PART NO.	PRICE	F.U.	L.U.
L-40	37.50	5400	
L-41	40.50	"	
LB-2	.15	4260	
LB-7	.15	"	
LR-76	.25	"	
LS-24	.35	4260	
LS-63	.80	"	
LS-91	.50	"	
LS-161	.15	"	
M-160	1.50	5400	
MR-151	1.00	"	
AR-18	.10	"	
LR-109	.40	"	
ARS-1	.10	4260	
BRS-13	.10	"	
NR-221	.15	5400	
NS-387	.30	"	

L-40 GRIPPER BAR (COMPLETE) FOR 320G MACH. WITHOUT AUTO. DELIVERY  
 L-41 GRIPPER BAR (COMPLETE) FOR 320G MACH. WITH AUTO. DELIVERY

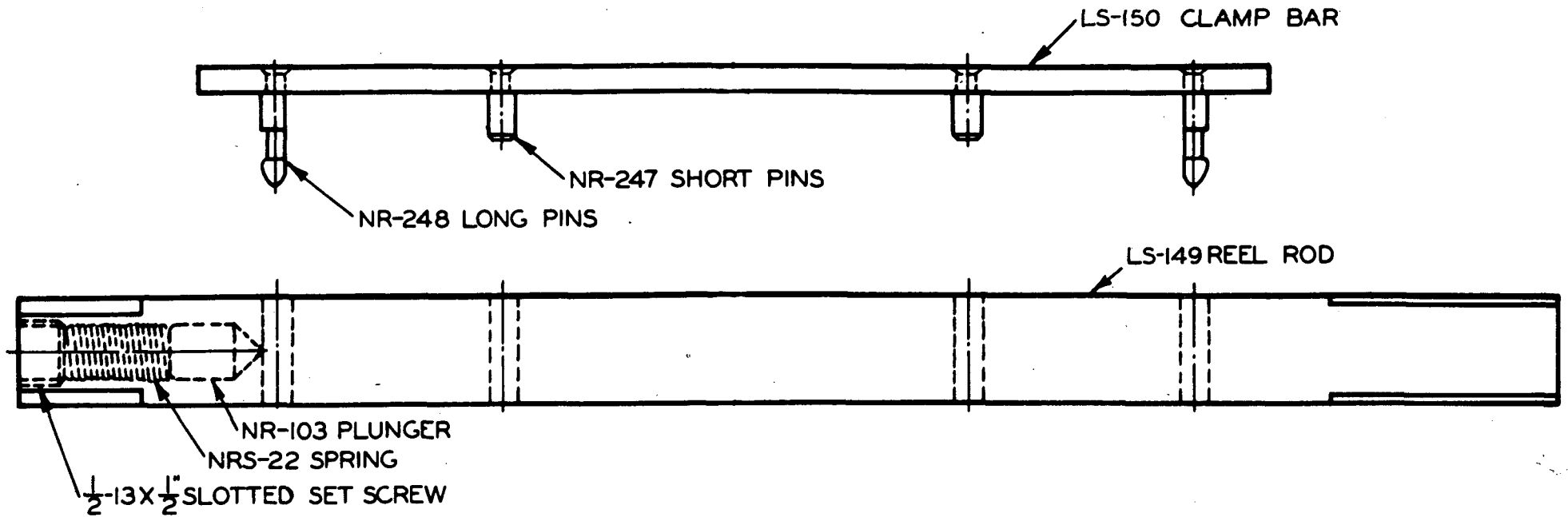
### LUBRICATION

A FINE MACHINE OIL IS RECOMMENDED FOR ALL MOVING PARTS. LEAVING GRIPPERS OPEN WHEN PRESS IS IDLE WILL ALLOW OIL TO COVER GRIPPER SHANKS THOROUGHLY.



M-160 GRIPPER ASSEMBLY

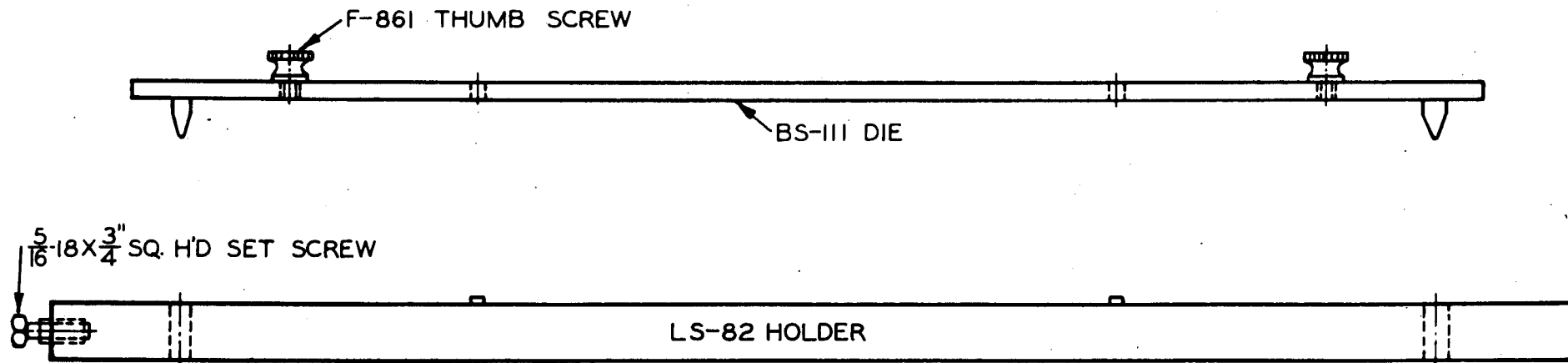
## TYMPAN CLAMP BAR ASSEMBLY NO. 320G VANDERCOOK PROOF PRESS



PART NO.	TITLE	PRICE	F.U.	L.U.
L-15	REEL ROD & CLAMP BAR COMPLETE	4.50	6193	
LS-149	REEL ROD	2.85	"	
LS-150	CLAMP BAR COMPLETE	1.35	"	
NR-103	PLUNGER	.10	"	
NR-247	SHORT PIN	.05	"	
NR-248	LONG PIN	.10	"	
NRS-22	SPRING	.20	"	

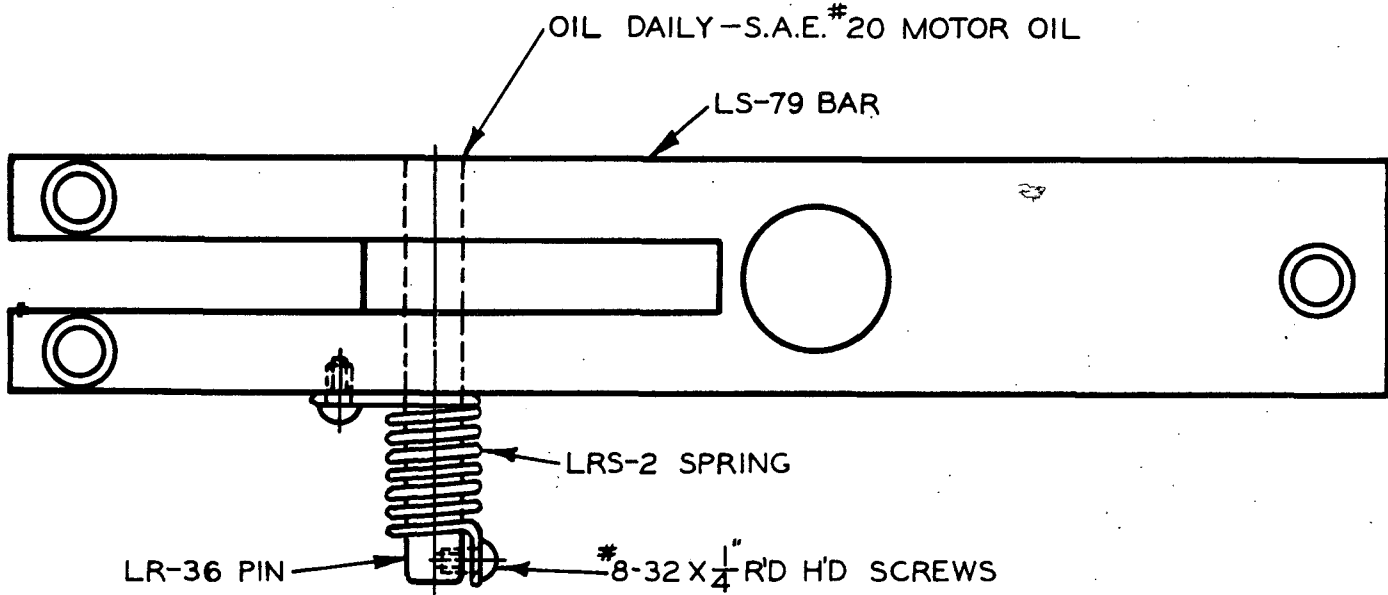
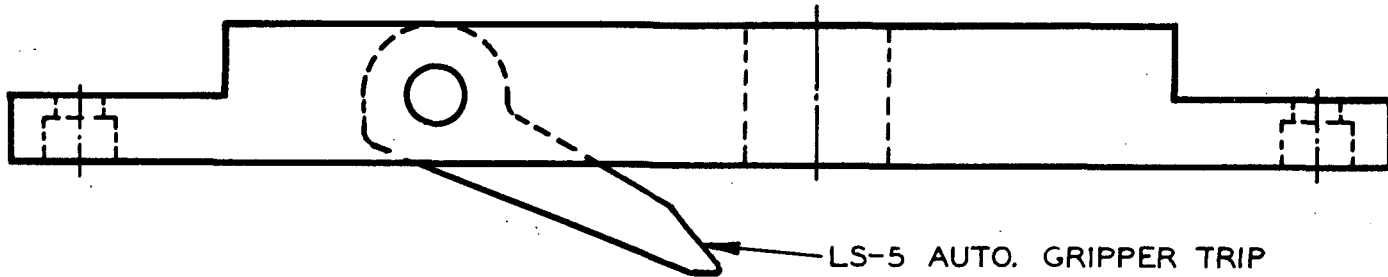
L-15 REEL ROD & CLAMP BAR  
NO. 320 VANDERCOOK PROOF PRESS

PART NO.	TITLE	PRICE	F.U.	L.U.
L-26	CELLULOID HOLDER & DIE COMPLETE	5.15	4260	
BS-III	DIE	2.20	"	
LS-82	HOLDER	2.75	"	
F-861	THUMB SCREW	.15	"	

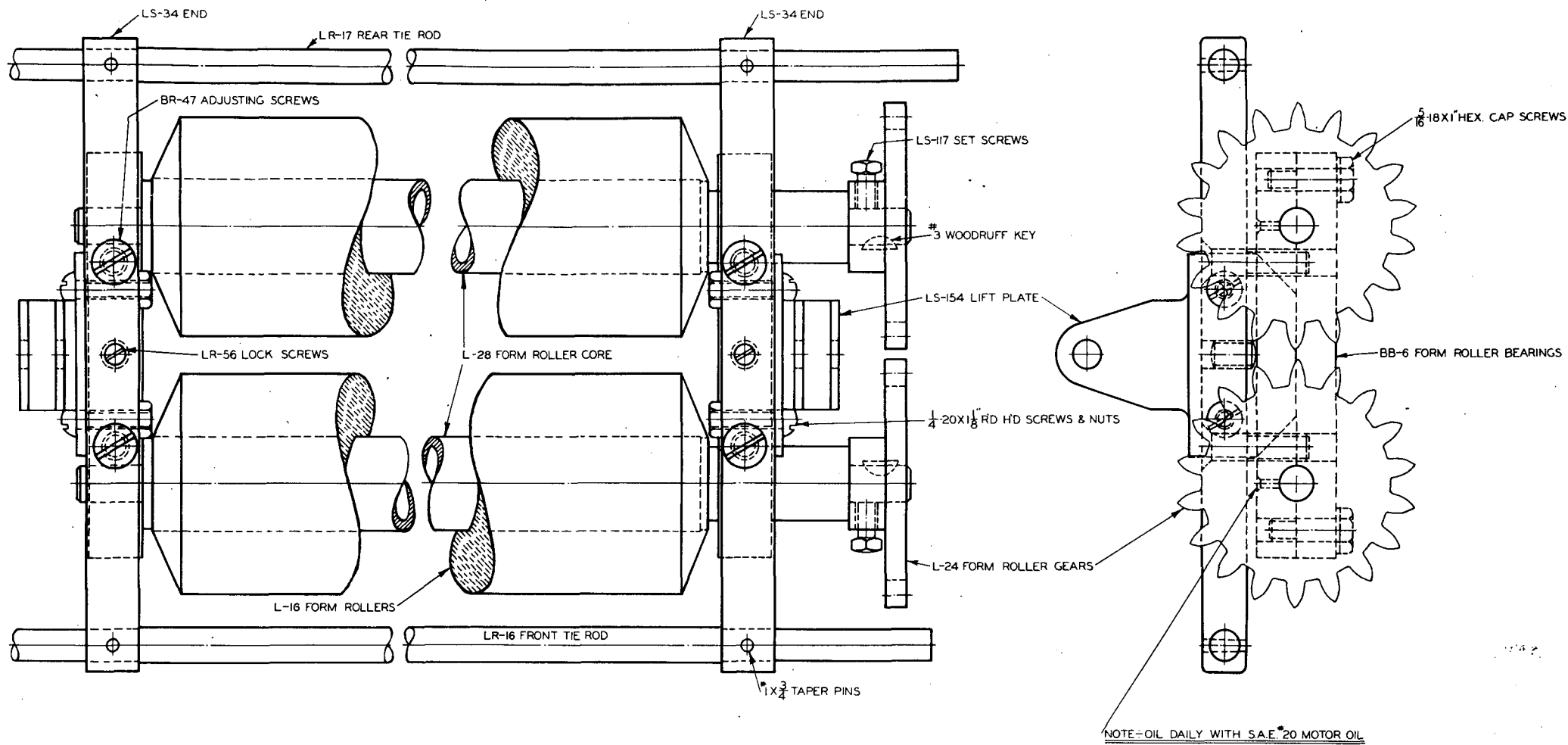


CELLULOID HOLDER & DIE  
NO. 320G VANDERCOOK PROOF PRESS

PART NO.	PRICE	F.U.	L.U.
LR-36	.40	4260	
LRS-2	.25	"	
LS-5	2.20	"	
LS-79	3.00	"	



AUTOMATIC GRIPPER TRIP  
NO. 320G VANDERCOOK PROOF PRESS

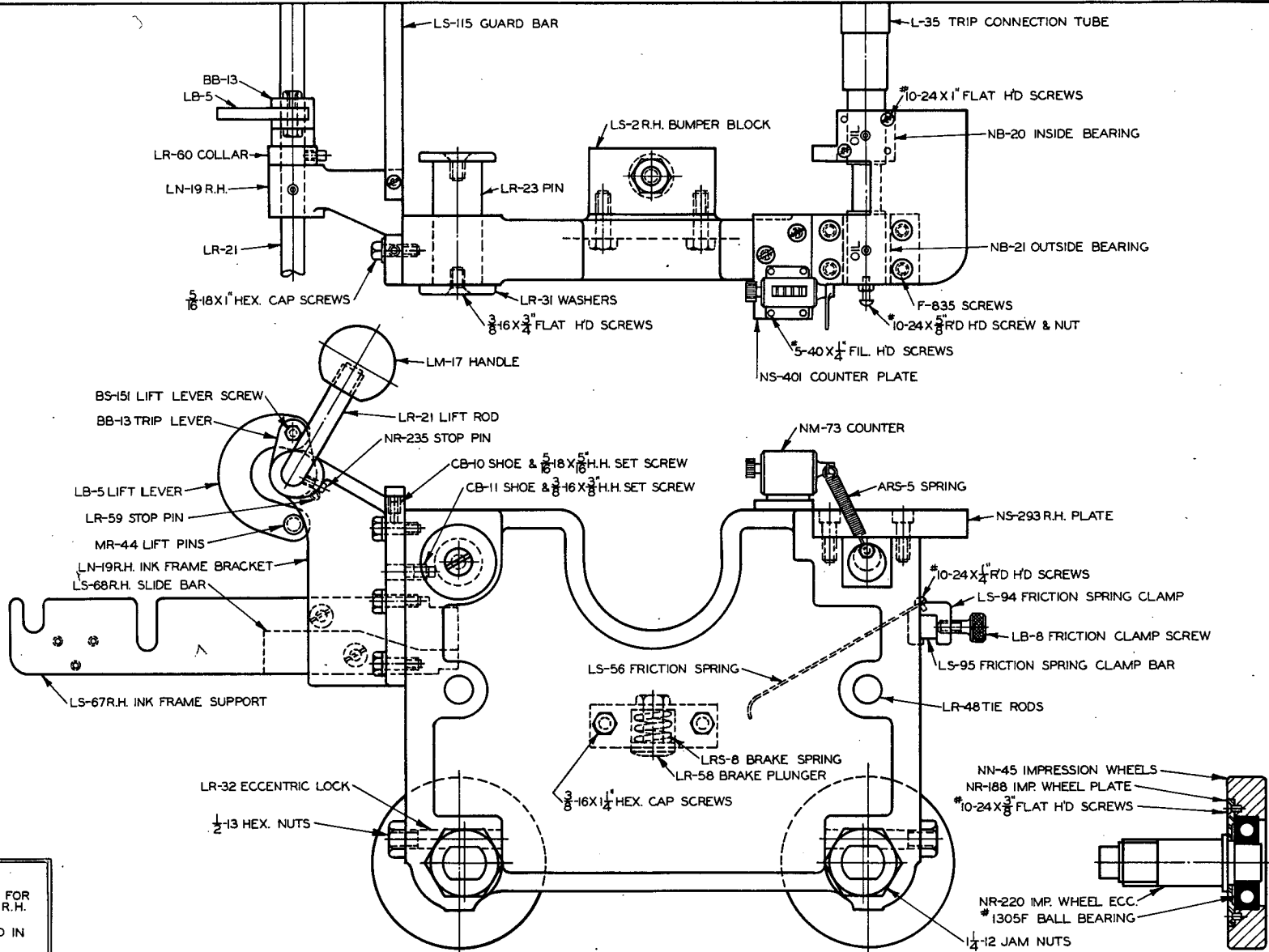


PART NO.	TITLE	PRICE	F.U.	L.U.
L-16	FORM ROLLER (GLUE COMPOSITION) WITH CORE	6.80	4260	
L-16	FORM ROLLER (RUBBER) WITH CORE	16.00	"	
L-24	FORM ROLLER GEAR (COMPLETE WITH LS-117)	3.25	5573	
L-28	FORM ROLLER CORE (BARE)	3.50	4260	
L-47	BOTTOM FRAME WITHOUT CORES GEARS & LIFT PLATES	11.50	"	
LR-16	FRONT TIE ROD	.85	"	
LR-17	REAR TIE ROD	.75	"	
LR-56	LOCK SCREW	.10	"	
LS-34	BOTTOM FRAME END	1.50	"	
LS-117	SET SCREW	.10	5573	
LS-154	LIFT PLATE	2.45	6483	
BB-6	FORM ROLLER BEARING	3.00	4260	
BR-47	ADJUSTING SCREW	.15	"	
	#3 WOODRUFF KEY	.10	6483	

**BOTTOM FRAME ASSEMBLY**  
**NO. 320 VANDERCOOK PROOF PRESS**



PART NO.	TITLE	PRICE	F.U.	L.U.
ARS-5	SPRING	.35	6363	
BB-13	TRIP LEVER	1.10	4260	
BS-151	LIFT LEVER SCREW	.10	"	
CB-10	3-16" BRASS SHOE	.05	"	
CB-11	1-4" BRASS SHOE	.05	"	
F-835	SCREW	.20	"	
L-35	CYL. TRIP CONN. TUBE	12.00	6363	
LB-5	LIFT LEVER	1.35	4260	
LB-8	FRICTION CLAMP SCREW	.15	5400	
LM-17	HANDLE	.45	5405	
LN-19R.H.	INK FRAME BRACKET	3.00	4260	
LR-21	LIFT ROD	1.10	"	
LR-23	PIN	.70	"	
LR-31	WASHER	.35	"	
LR-32	ECCENTRIC LOCK	.20	"	
LR-48	TIE ROD	2.60	"	
LR-58	BRAKE PLUNGER	1.15	"	
LR-59	STOP PIN	.05	"	
LR-60	COLLAR	.25	"	
LRS-8	BRAKE SPRING	.30	"	
LS-2R.H.	BUMPER BLOCK	1.30	"	
LS-56	FRICTION SPRING	.20	"	
LS-67R.H.	INK FRAME SUPPORT	1.75	"	
LS-68R.H.	SLIDE BAR	.60	"	
LS-94	FRICTION SPRING CLAMP	1.15	5400	
LS-95	FRICTION SPRING CLAMP BAR	1.90	"	
LS-115	GUARD BAR	.65	6084	
MR-44	LIFT PIN	.10	6483	
NB-20	INSIDE BEARING	1.50	6363	
NB-21	OUTSIDE BEARING	2.45	"	
NM-73	COUNTER	9.00	"	
NN-45	IMPRESSION WHEEL	2.75	"	
NR-188	IMPRESSION WHEEL PLATE	.65	"	
NR-220	IMP. WHEEL ECCENTRIC	1.30	"	
NR-235	STOP PIN	.05	4260	
NS-293R.H.	PLATE	3.30	6363	
NS-401	COUNTER PLATE	.55	"	
*1305F	BALL BEARING	2.85	"	



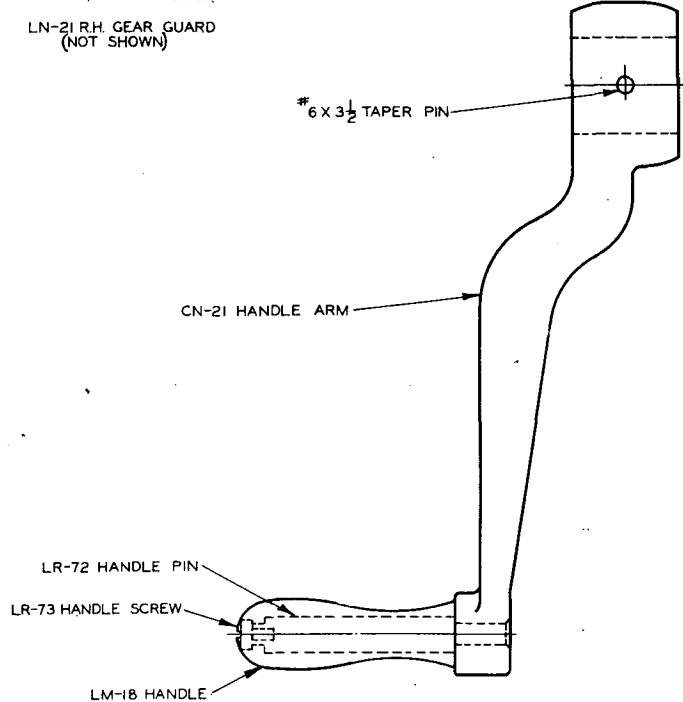
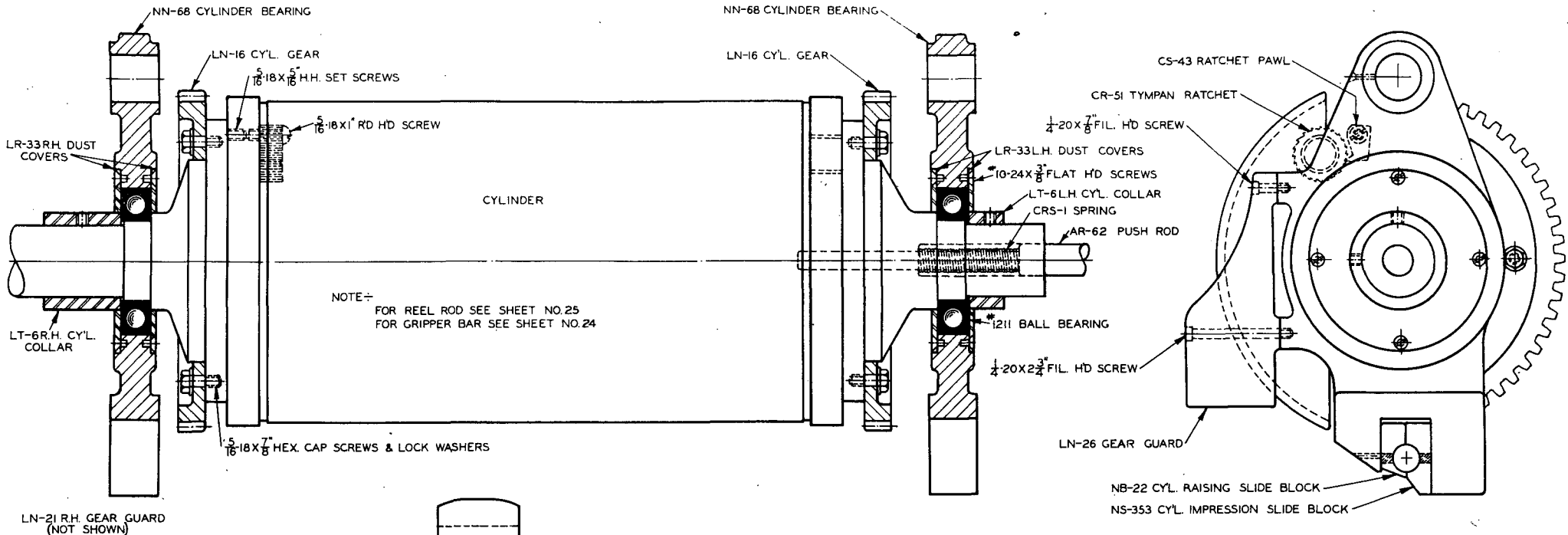
**LUBRICATION**

A MEDIUM WEIGHT AUTO OIL IS RECOMMENDED FOR ALL MOVING PARTS. NOTE OIL HOLES IN NS-293R.H. PLATE AND LN-19R.H. BRACKET.

IMPRESSION WHEEL BEARINGS 1305F ARE PACKED IN GREASE AND REQUIRE NO FURTHER ATTENTION.

A LIGHT FILM OF OIL SHOULD BE KEPT ON THE SURFACE OF IMPRESSION WHEELS NN-45 AT ALL TIMES.

R.H. CYLINDER CARRIAGE  
 NO. 320 VANDERCOOK HAND PROOF PRESS



**LUBRICATION**

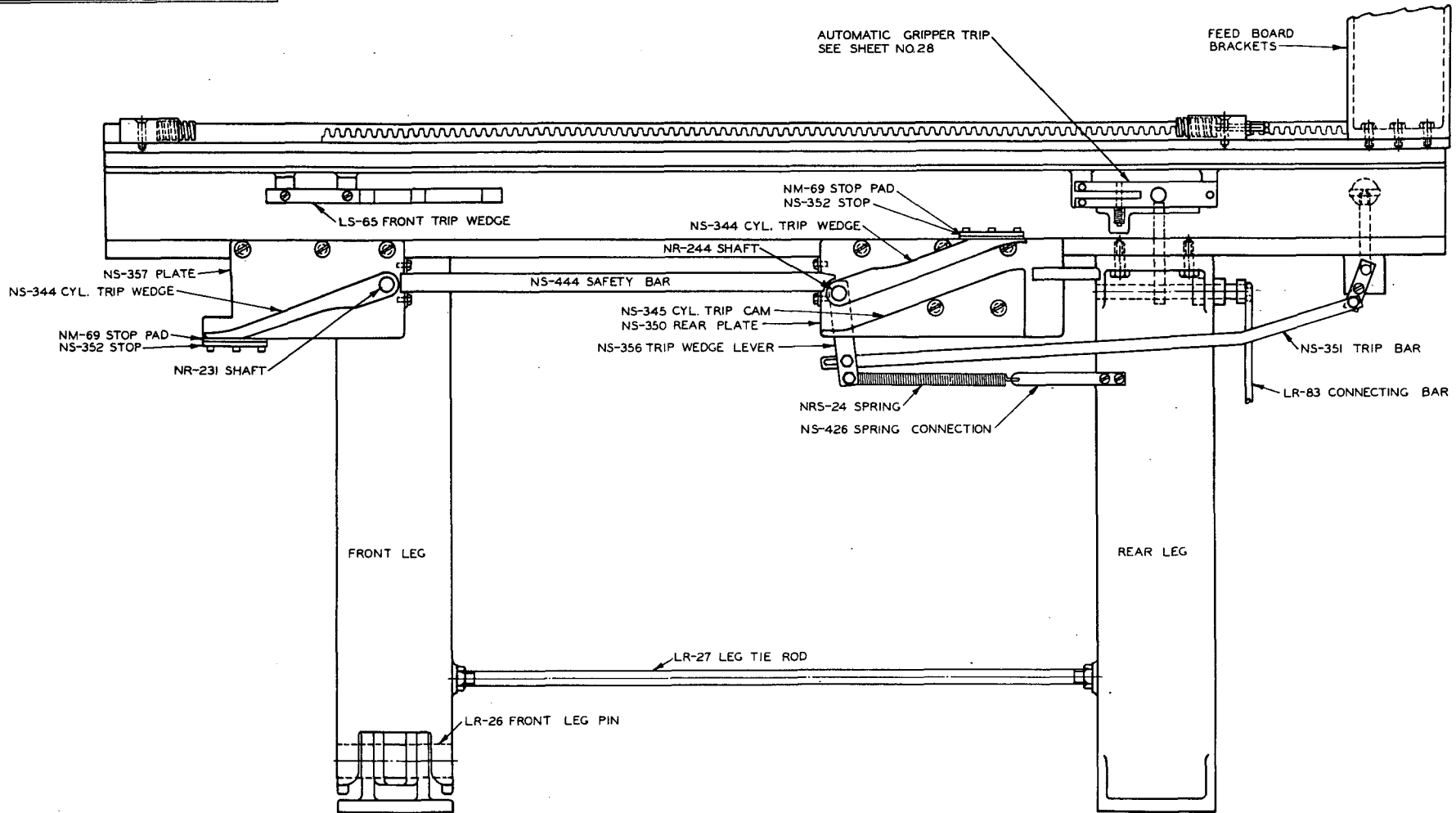
A MEDIUM WEIGHT AUTO OIL IS RECOMMENDED.  
 NOTE OIL HOLES AT EACH END OF NN-68 CYLINDER BEARINGS.  
 BALL BEARINGS\*1211 ARE PACKED IN GREASE AND REQUIRE NO FURTHER ATTENTION.

PART NO.	TITLE	PRICE	F.U.	L.U.
AR-62	PUSH ROD	1.25	4260	
CN-21	HANDLE ARM	6.00	"	
CR-51	TYMPAN RATCHET	1.50	"	
CRS-1	SPRING	.20	"	
CS-43	RATCHET PAWL	.35	"	
LM-18	HANDLE	1.45	"	
LN-16	CYLINDER GEAR	8.50	"	
LN-26	GEAR GUARD	3.35	"	
LN-21	GEAR GUARD	2.00	"	
LR-33R.H.	DUST COVER	1.40	"	
LR-33L.H.	DUST COVER	1.30	"	
LR-72	HANDLE PIN	.55	"	
LR-73	HANDLE SCREW	.20	"	
LT-6R.H.	CYLINDER COLLAR	1.90	"	
LT-6L.H.	CYLINDER COLLAR	1.15	"	
NB-22	CYL. RAISING SLIDE BLOCK	1.65	6363	
NN-68	CYLINDER BEARING	9.60	6363	
NS-353	CYL. IMPRESSION SLIDE BLOCK	5.25	"	
*1211	BALL BEARING	8.00	4260	

**CYLINDER ASSEMBLY**  
**NO. 320 VANDERCOOK HAND PROOF PRESS**

**LUBRICATION**

A MEDIUM WEIGHT AUTO OIL IS RECOMMENDED FOR ALL MOVING PARTS.  
A LIGHT FILM OF OIL SHOULD BE KEPT ON THE POLISHED SURFACES OF TRIP WEDGES AND CAMS AT ALL TIMES.

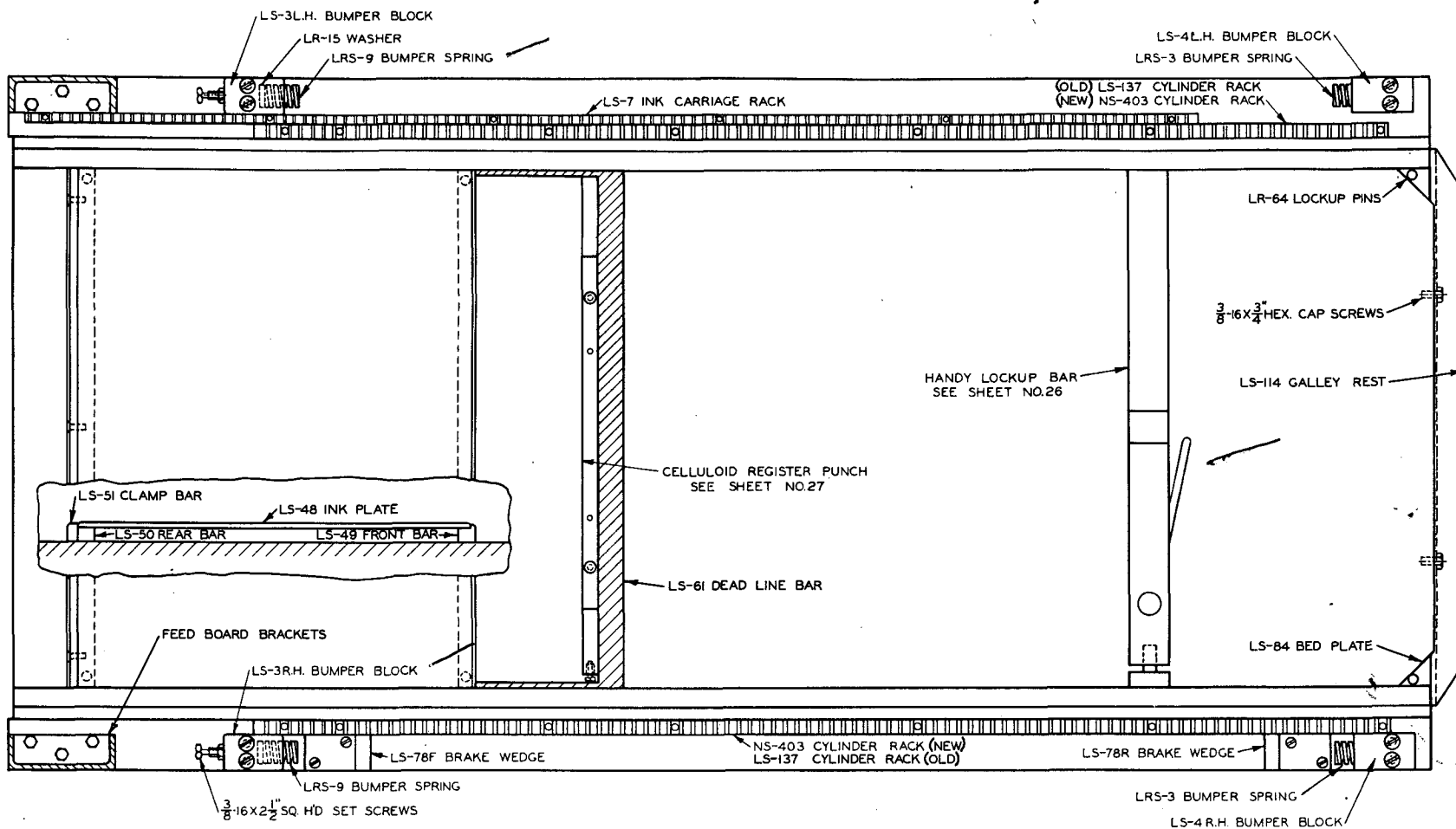


PART NO.	PRICE	F.U.	L.U.
LR-26	1.00	4260	
LR-27	1.00	"	
LR-83	.30	"	
LS-65	.85	"	
NM-69	.10	6363	
NRS-24	.30	"	
NS-344	3.20	"	
NS-345	5.25	"	
NS-350	4.35	"	
NS-351	1.00	"	
NS-352	.20	"	
NS-356	.45	"	
NS-357	3.90	"	
NS-426	.25	"	
NS-444	2.50	"	
NR-231	.10	"	
NR-244	.25	"	

**TRIP SIDE**

**NO. 320G VANDERCOOK HAND PROOF PRESS**

PART NO.	PRICE	FU	LU
LR-15	.15	4260	
LR-64	.40	"	
LRS-3	.40	"	
LRS-9	.35	"	
LS-3R.H.	1.40	"	
LS-3L.H.	1.40	"	
LS-4R.H.	1.00	"	
LS-4L.H.	1.00	"	
LS-7	8.20	"	
LS-48	28.00	"	
LS-49	2.50	"	
LS-50	1.70	"	
LS-51	1.85	"	
LS-61	4.00	"	
LS-78F	.65	"	
LS-78R	.65	"	
LS-84	4.00	"	
LS-114	2.00	"	
LS-137	7.50	"	6333
NS-403	7.50	6363	

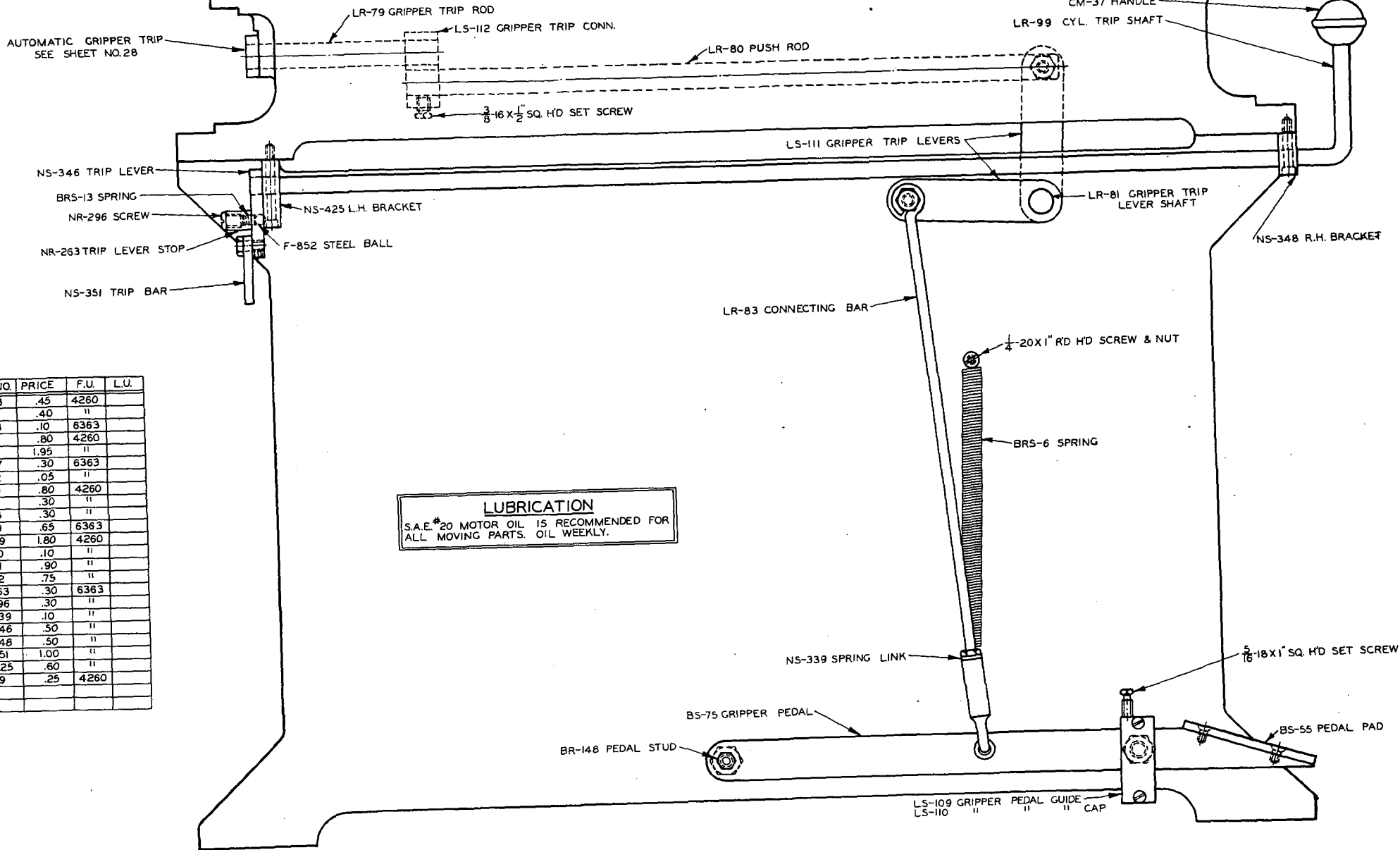


**LUBRICATION**

A LIGHT FILM OF S.A.E. #20 MOTOR OIL SHOULD BE KEPT ON RACKS AND BEARING RAILS AT ALL TIMES.

## BED ASSEMBLY

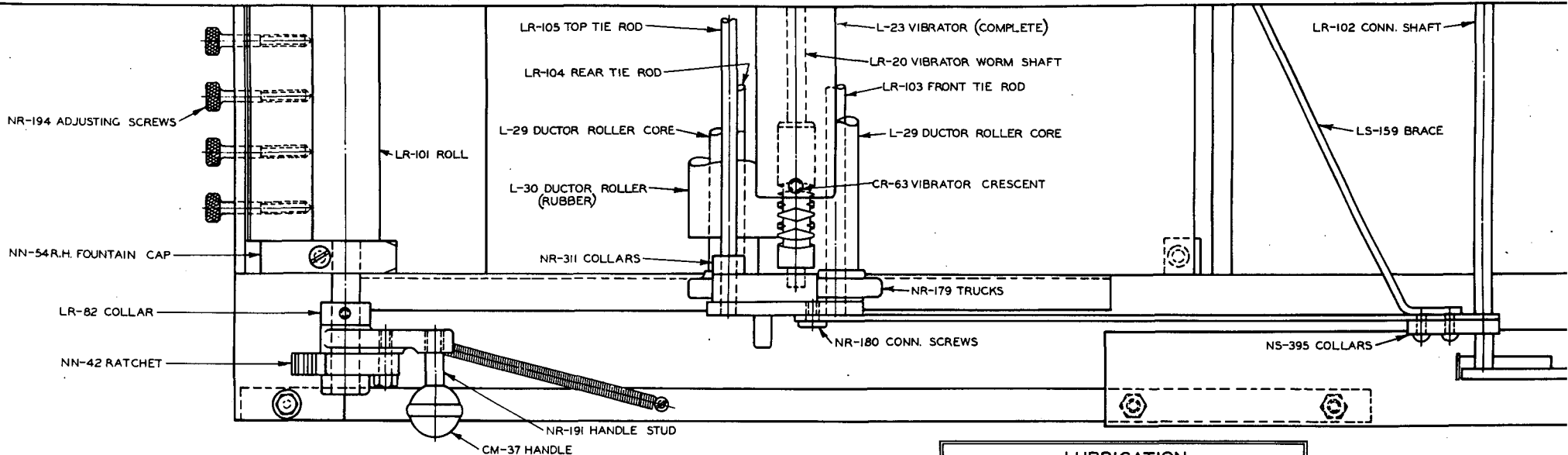
# NO. 320G VANDERCOOK HAND PROOF PRESS



PART NO.	PRICE	F.U.	L.U.
BR-148	.45	4260	
BRS-6	.40	"	
BRS-13	.10	6363	
BS-55	.80	4260	
BS-75	1.95	"	
CM-37	.30	6363	
F-852	.05	"	
LR-80	.80	4260	
LR-81	.30	"	
LR-83	.30	"	
LR-99	.65	6363	
LS-109	1.80	4260	
LS-110	.10	"	
LS-111	.90	"	
LS-112	.75	"	
NR-263	.30	6363	
NR-296	.30	"	
NS-339	.10	"	
NS-346	.50	"	
NS-348	.50	"	
NS-351	1.00	"	
NS-425	.60	"	
LR-79	.25	4260	

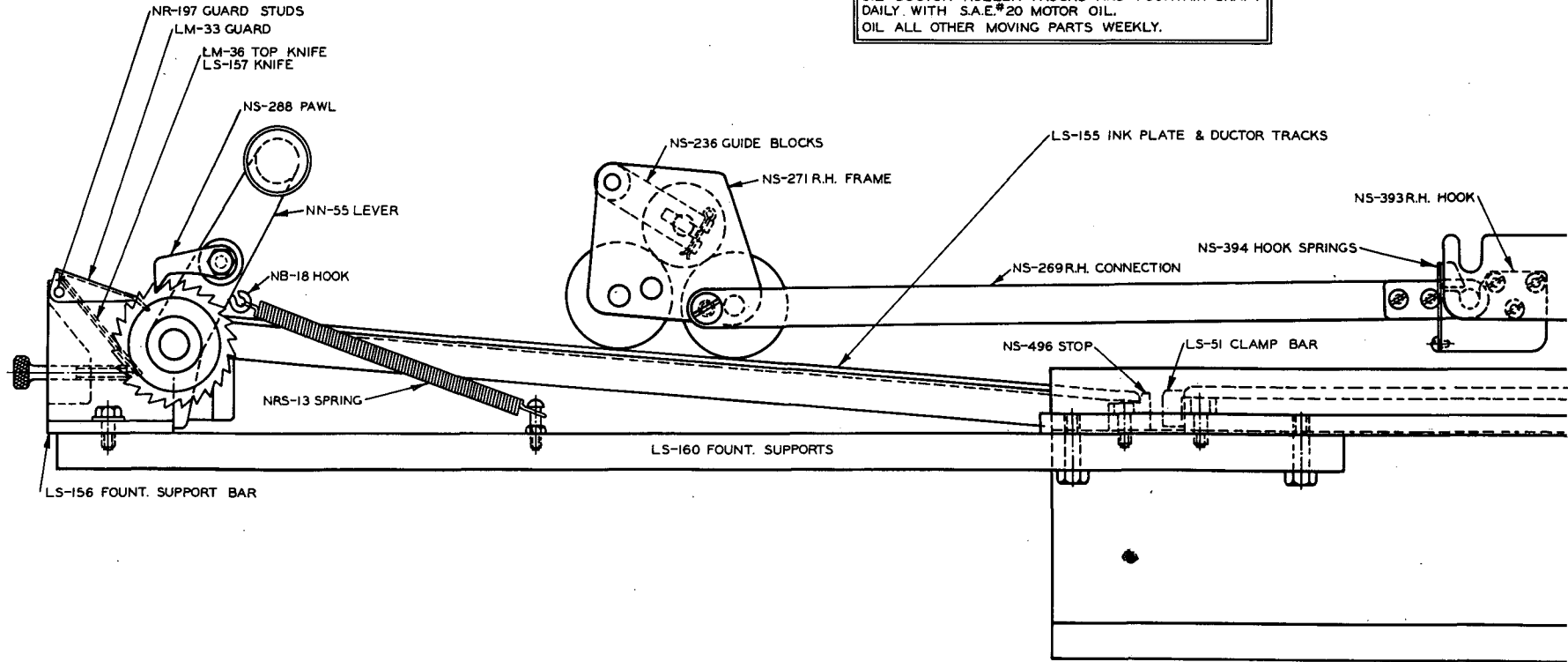
**LUBRICATION**  
 S.A.E. #20 MOTOR OIL IS RECOMMENDED FOR  
 ALL MOVING PARTS. OIL WEEKLY.

**REAR LEG**  
**NO. 320G VANDERCOOK HAND PROOF PRESS**



**LUBRICATION**  
 OIL DUCTOR ROLLER TRUCKS AND FOUNTAIN SHAFT  
 DAILY WITH S.A.E. #20 MOTOR OIL.  
 OIL ALL OTHER MOVING PARTS WEEKLY.

PART NO.	PRICE	F.U.	L.U.
CM-37	.30	6509	
CR-63	1.00	"	
L-23	15.00	"	
L-29	4.85	"	
L-30	15.85	"	
LM-33	2.00	"	
LM-36	1.40	"	
LR-20	5.50	"	
LR-82	.30	"	
LR-101	11.70	"	
LR-102	.90	"	
LR-103	.85	"	
LR-104	1.25	"	
LR-105	.95	"	
LS-51	1.85	"	
LS-155	33.00	"	
LS-156	3.25	"	
LS-157	2.50	"	
LS-159	1.65	"	
LS-160	4.25	"	
NB-18	.15	"	
NN-42	2.10	"	
NN-54R.H.	2.50	"	
NN-55	5.15	"	
NR-179	2.00	"	
NR-180	.50	"	
NR-191	.25	"	
NR-194	.35	"	
NR-197	.10	"	
NRS-13	.30	"	
NR-311	.25	"	
NS-236	.90	"	
NS-269R.H.	1.10	"	
NS-271R.H.	2.90	"	
NS-288	.90	"	
NS-393R.H.	1.10	"	
NS-394	1.00	"	
NS-395	.75	"	
NS-496	.65	"	



**INK FOUNTAIN**  
**NO. 320G VANDERCOOK HAND PROOF PRESS**

