

Withdrawn

THE KELLY AUTOMATIC PRESS No. 2 BOOK OF PARTS

STATE LIBRARY
SALEM, OREGON



ALWAYS GIVE SERIAL NUMBER OF PRESS WHEN
REFERRING TO PARTS. ORDER PARTS
FROM NEAREST SELLING HOUSE

KELLY PRESS DIVISION
AMERICAN TYPE FOUNDERS COMPANY

MANUFACTURER OF KELLY AUTOMATIC PRESSES
EL MORA AVENUE, ELIZABETH, NEW JERSEY

1931

Kelly Automatic Press No. 2 Book of Parts

To identify the part desired, first locate number found on Plate Pages A to S in the fore part of the book. Having obtained the number, next turn to pages 1 to 29 for WM numbers and names to be used in ordering. All WM numbers are arranged numerically.

Press, Feeder and Extension Delivery Individual Parts (No. 51 to No. 49,956) are found on pages 1 to 18.

Press, Feeder and Extension Delivery Assemblies (No. 50,105 to No. 99,950) are found on pages 19 to 29.

The WM numbers given in this book cover the standard parts used on No. 2 Kelly Presses Serial Number 0552 and above.

In ordering parts for presses below Serial Number 0552 give the WM number of the part shown in this book with the additional information that it is intended for No. 2 Kelly Press No..... (giving serial number).

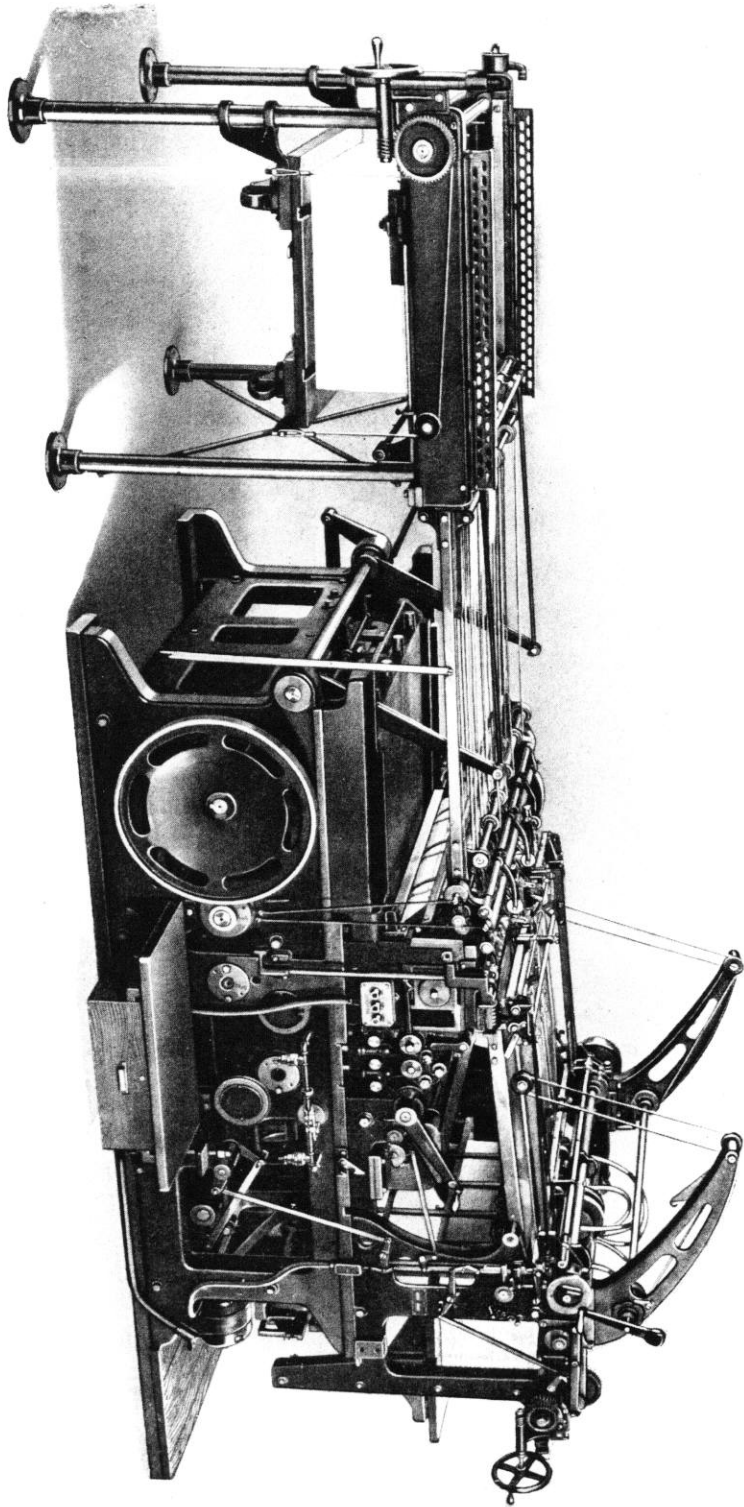
FS means feeder side of press; GS indicates gear side. In ordering use these capitals when they appear in connection with numbers.

All numbers above 50,000 show complete assemblies. Some assemblies are sold only as such, due to final machining after assembly.

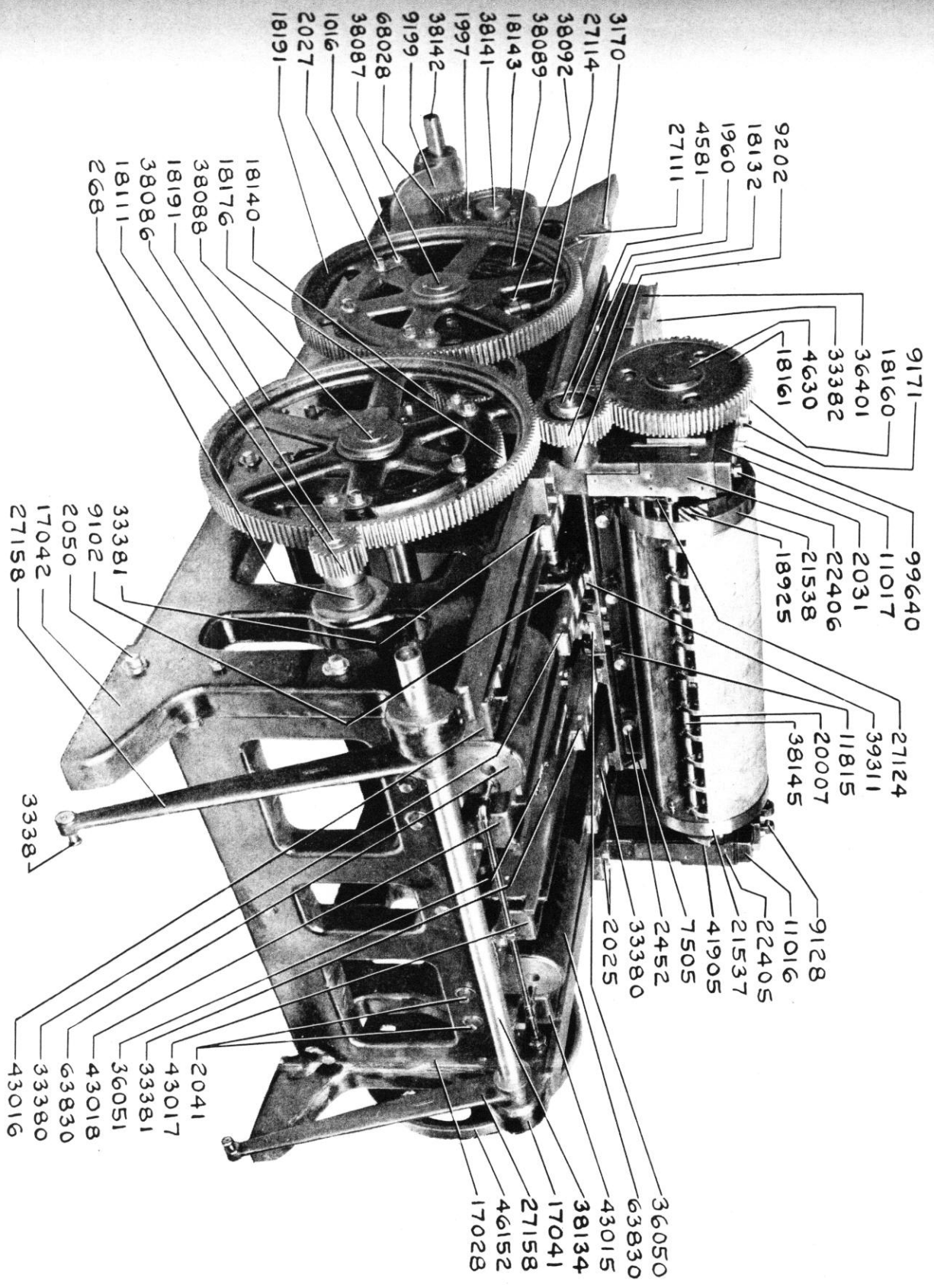
Serial Number—No. 2 Kelly Serial Number is stamped on Side Frame at center below Cylinder Housing and at top of Automatic Feeder Side Frame below conveyor crank handle, both on Feeder side of press. *Serial Number information is important to insure prompt and accurate filling of orders for all Kelly Presses.*

American Type Founders Company

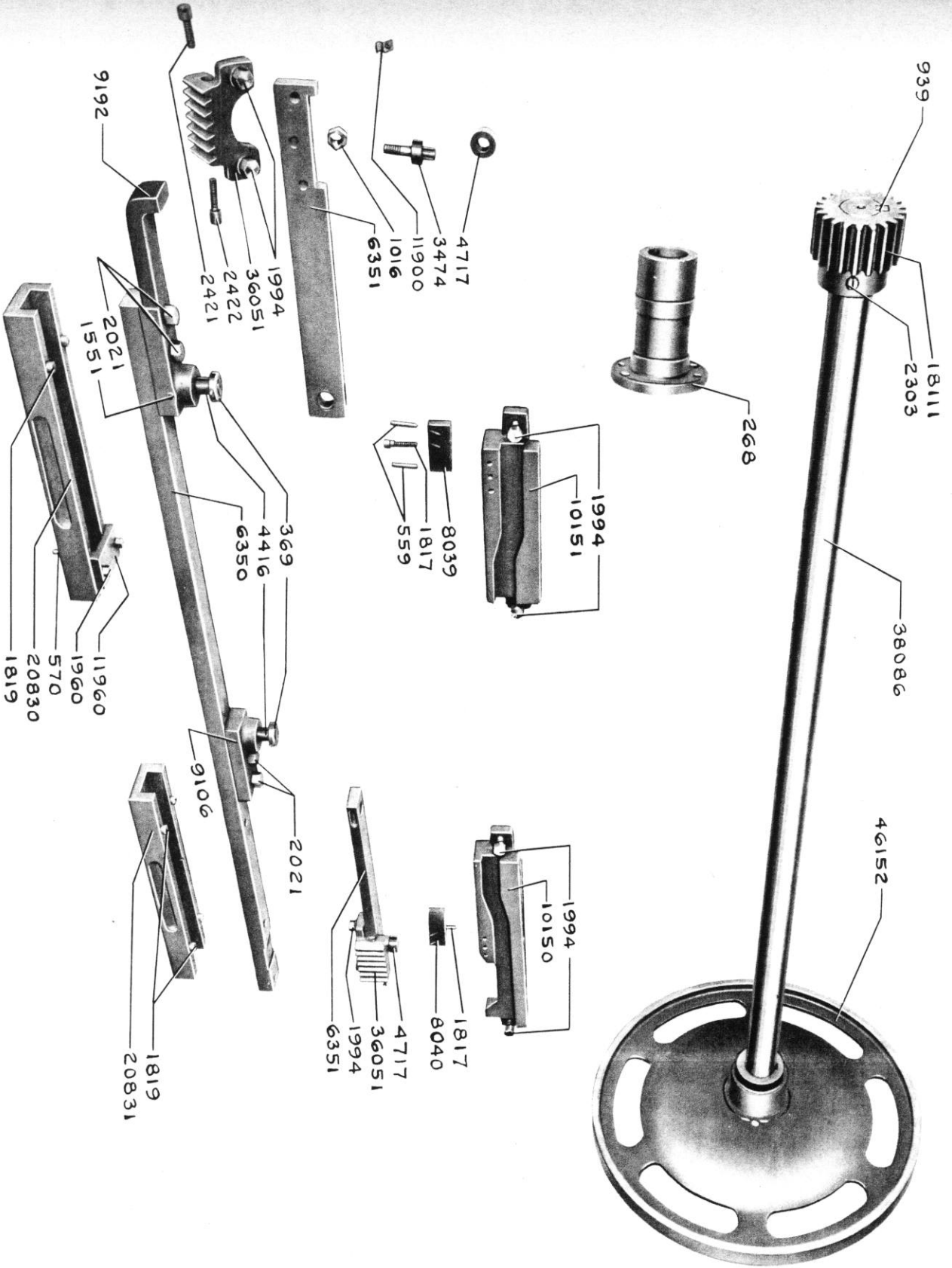
Kelly Press Division



KELLY AUTOMATIC PRESS No. 2.—ILLUSTRATION SHOWS FEEDER SIDE

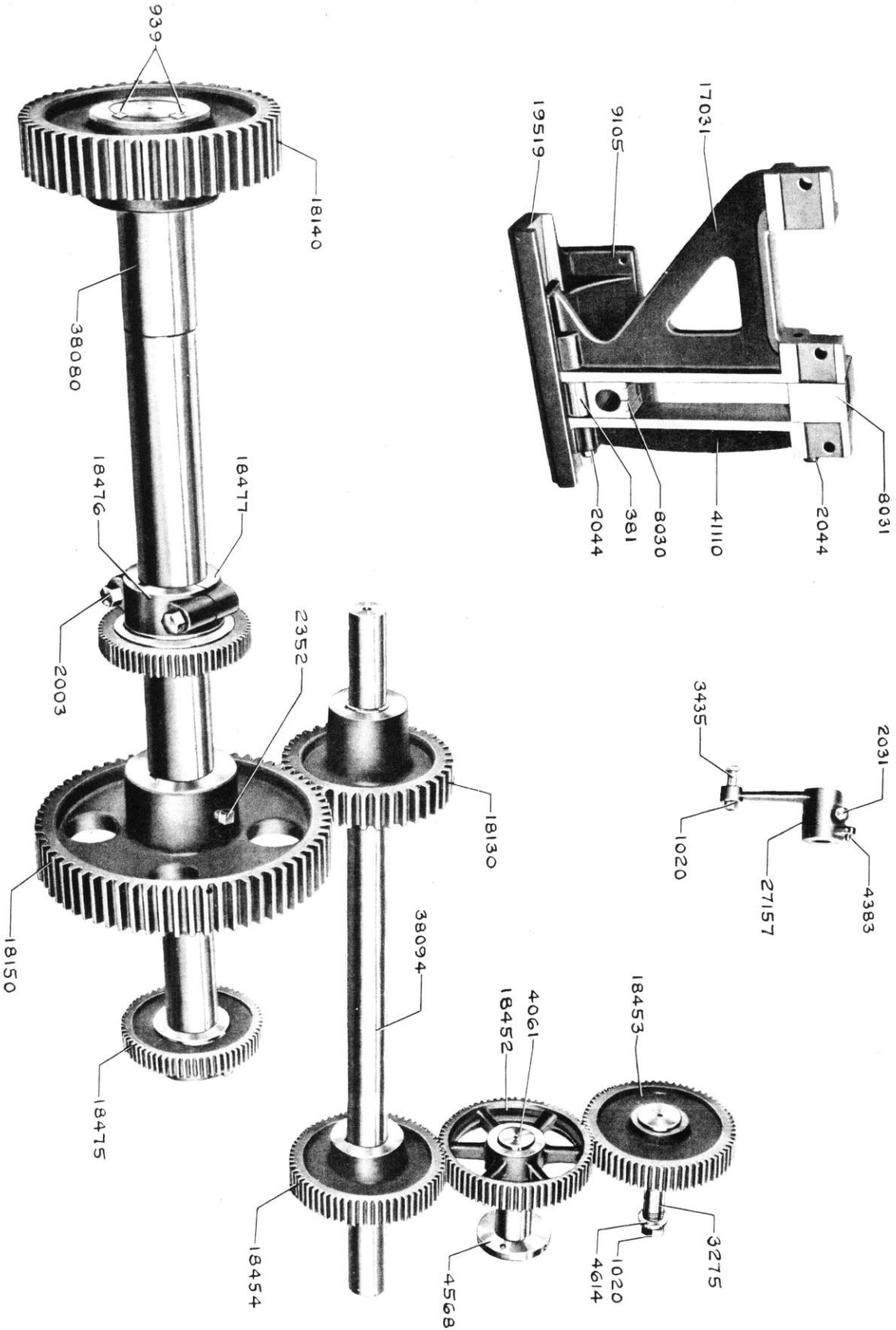


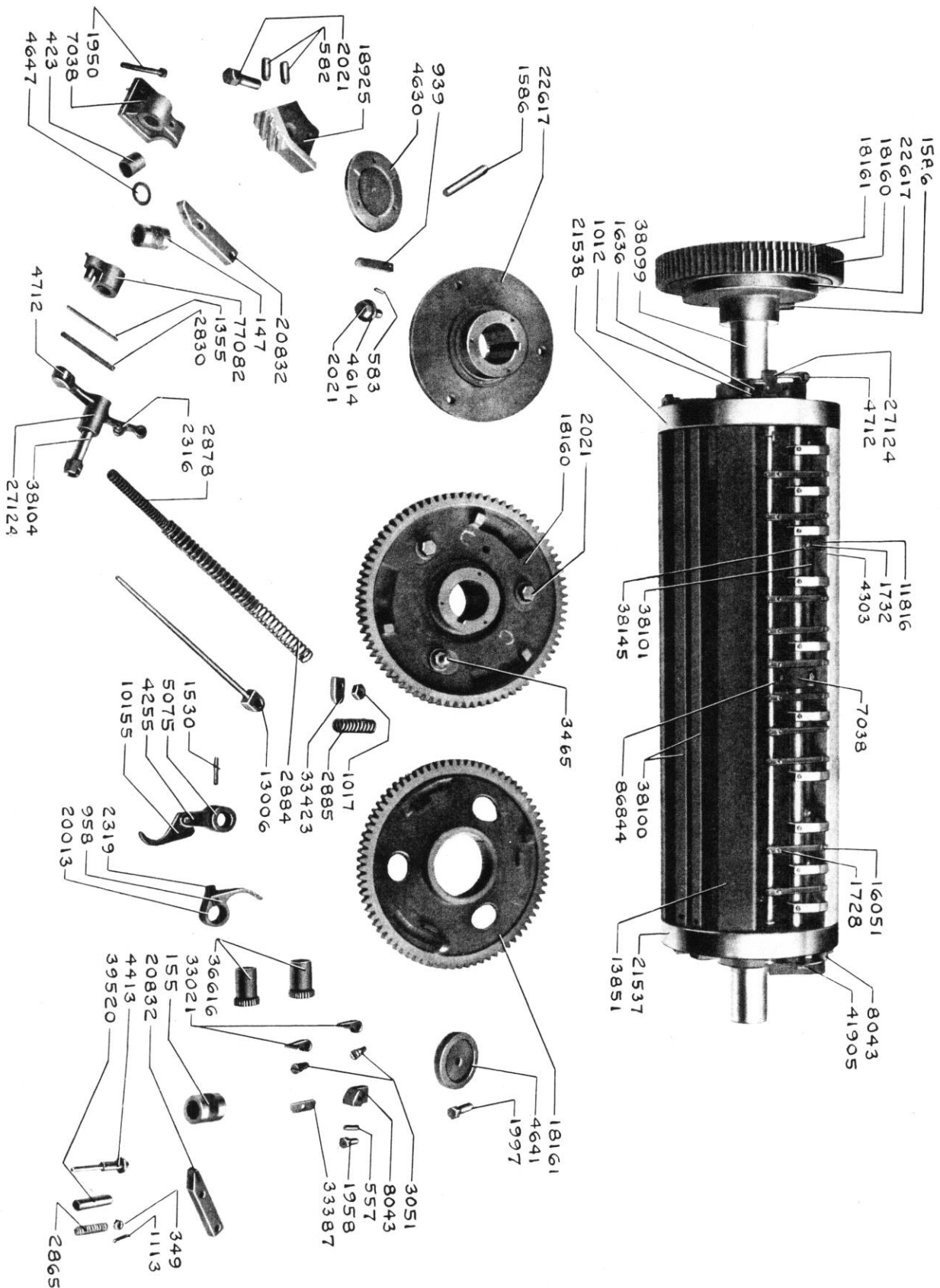
General View—Side and End Frames, Cylinder and Bed Driving Parts; Cylinder and Bed



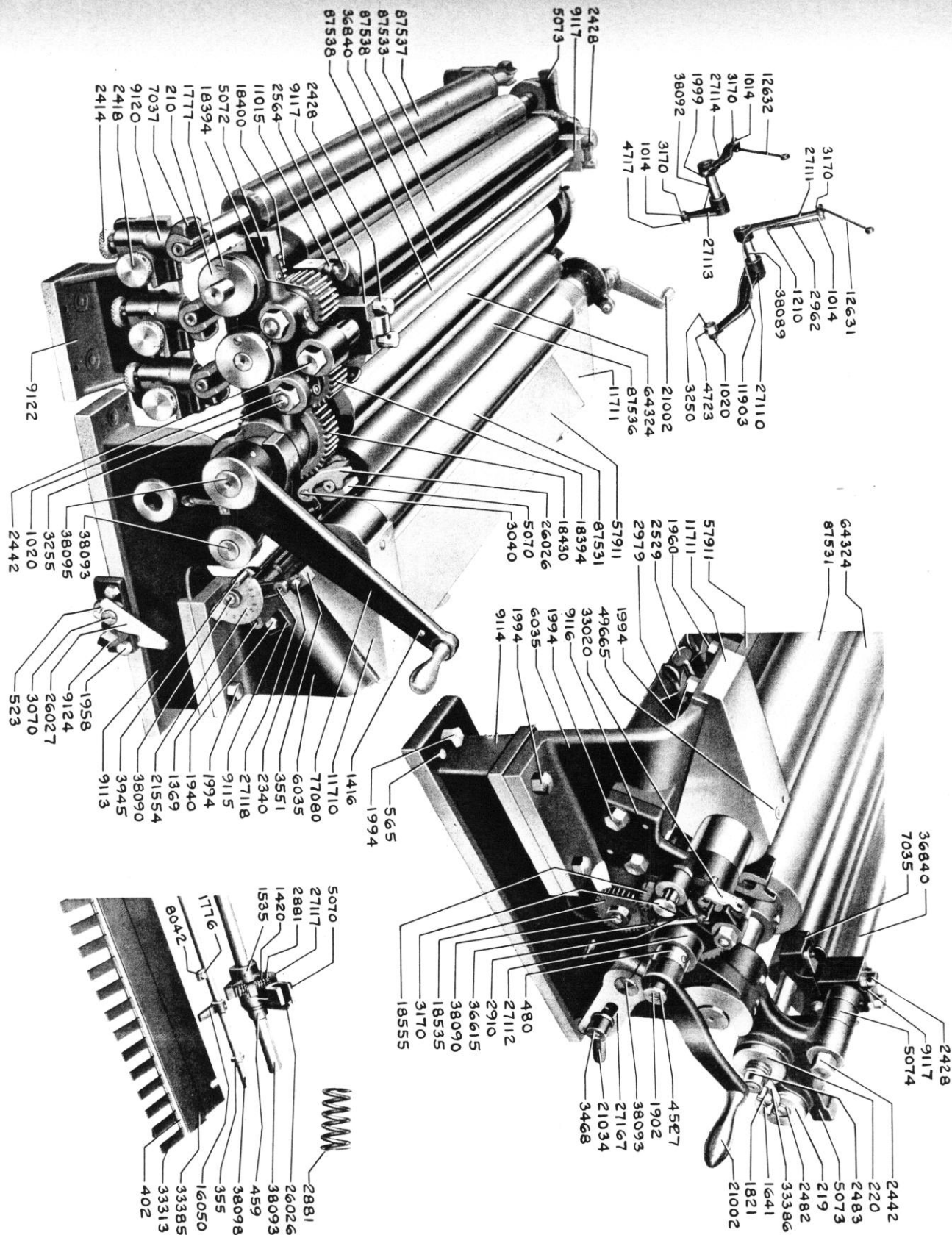
Segment Racks, Cams and Handwheel Parts

Bed and Vibrator Driving Parts; Delivery Carriage Operating Lever

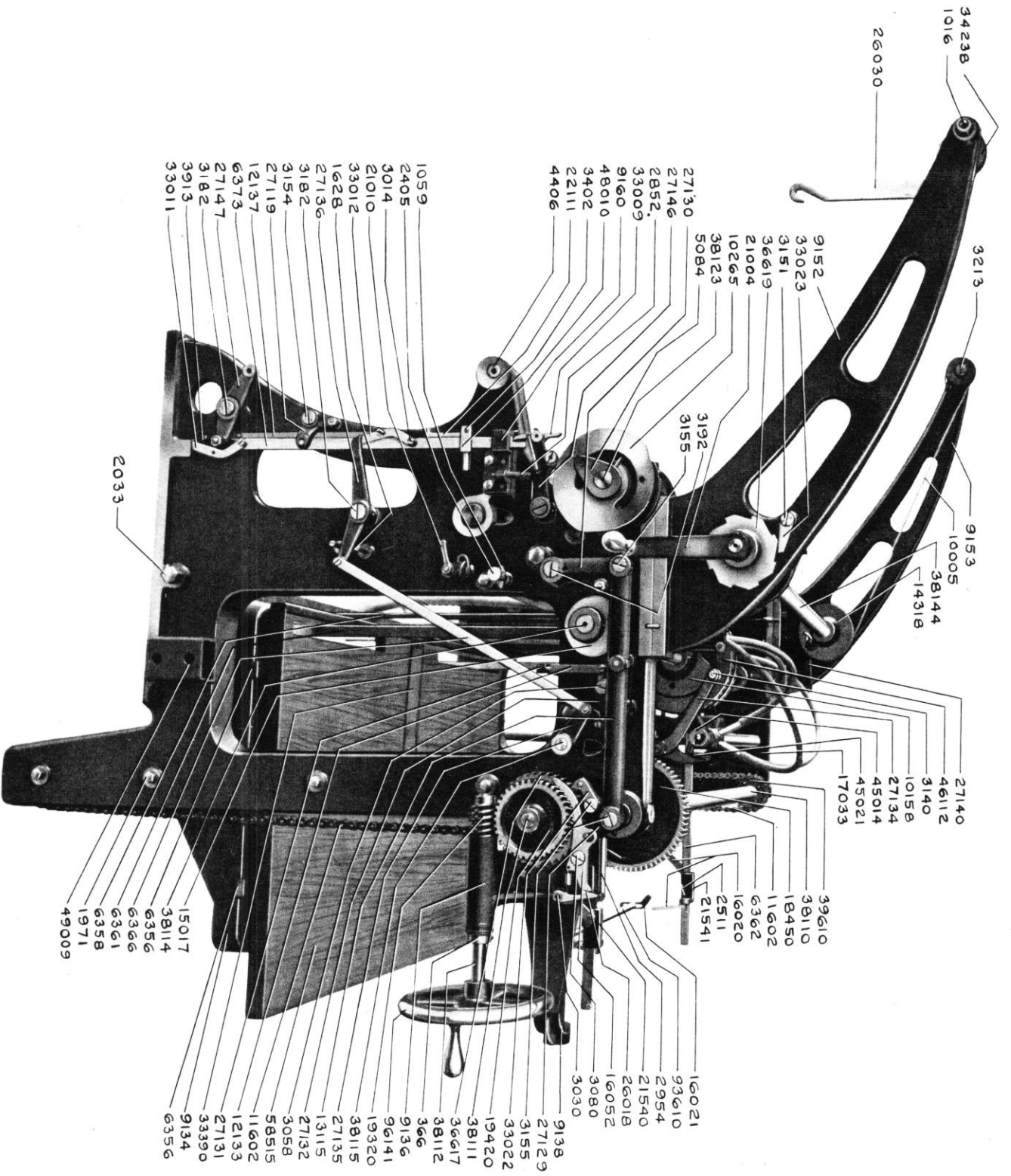




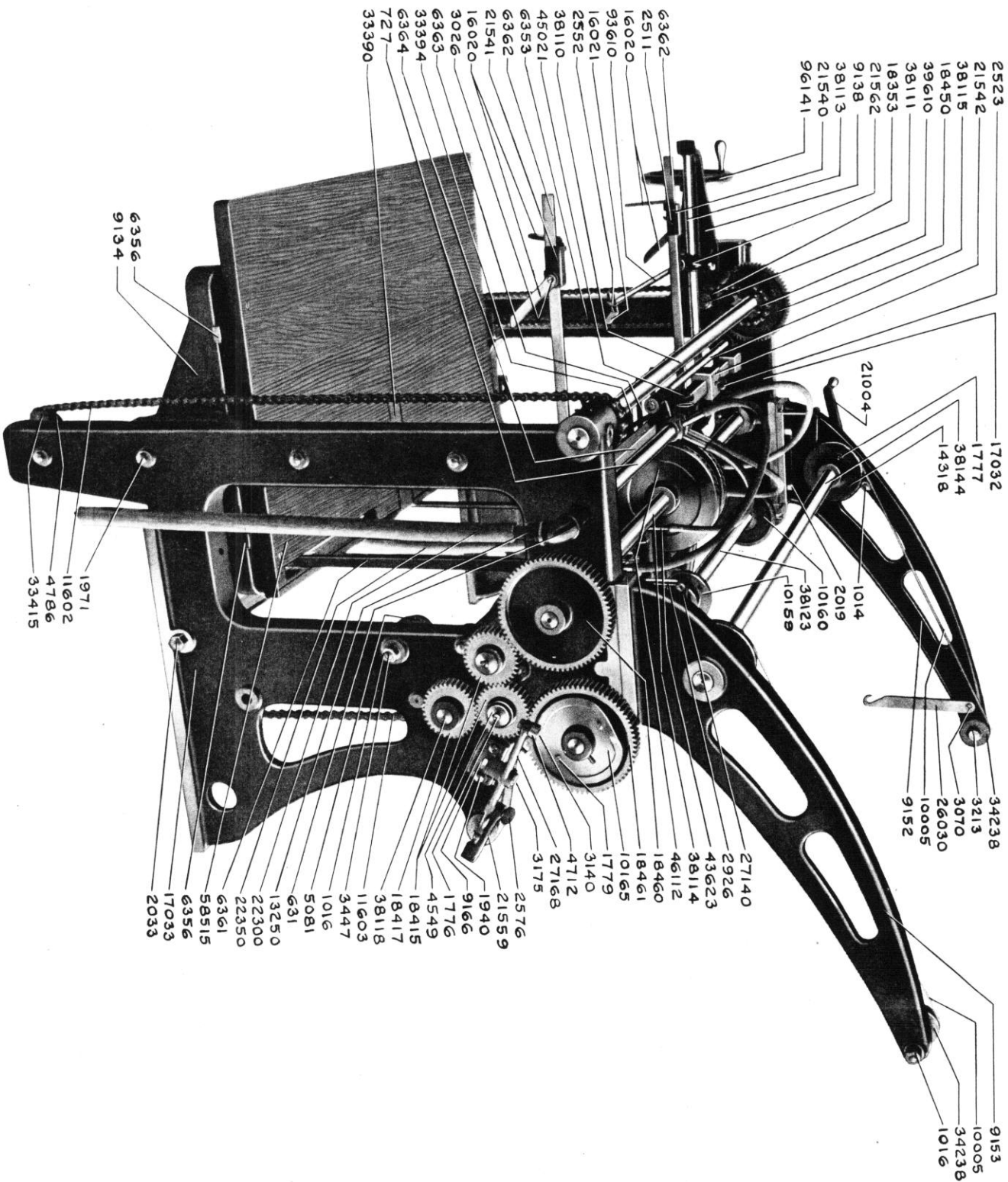
Impression Cylinder and Cylinder Component Parts



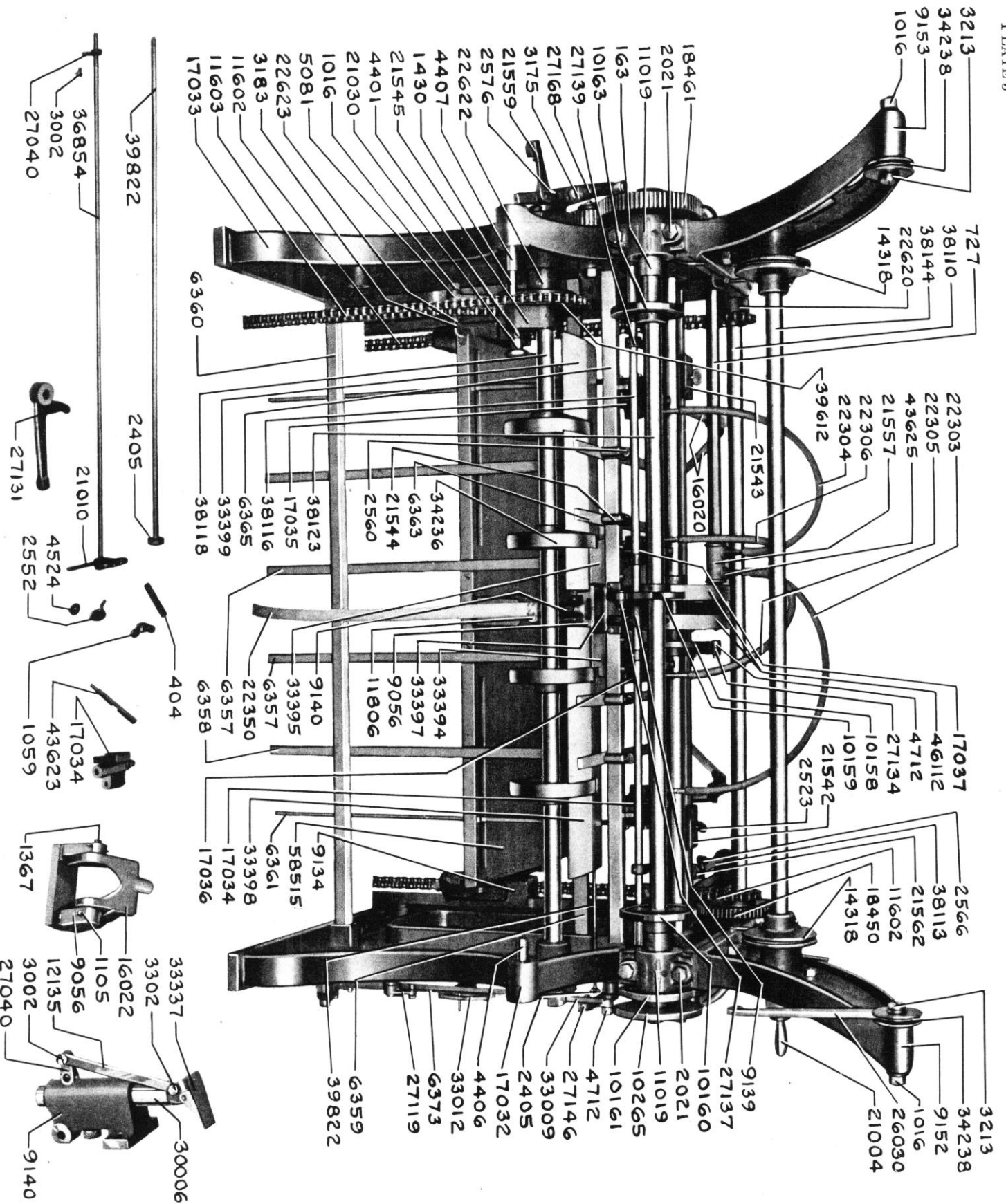
Ink Fountain and Pyramid Distributing System



Feeder Side View of Automatic Feeder—Additional Illustrations Upper Part of Plate P



Gear Side View of Automatic Feeder

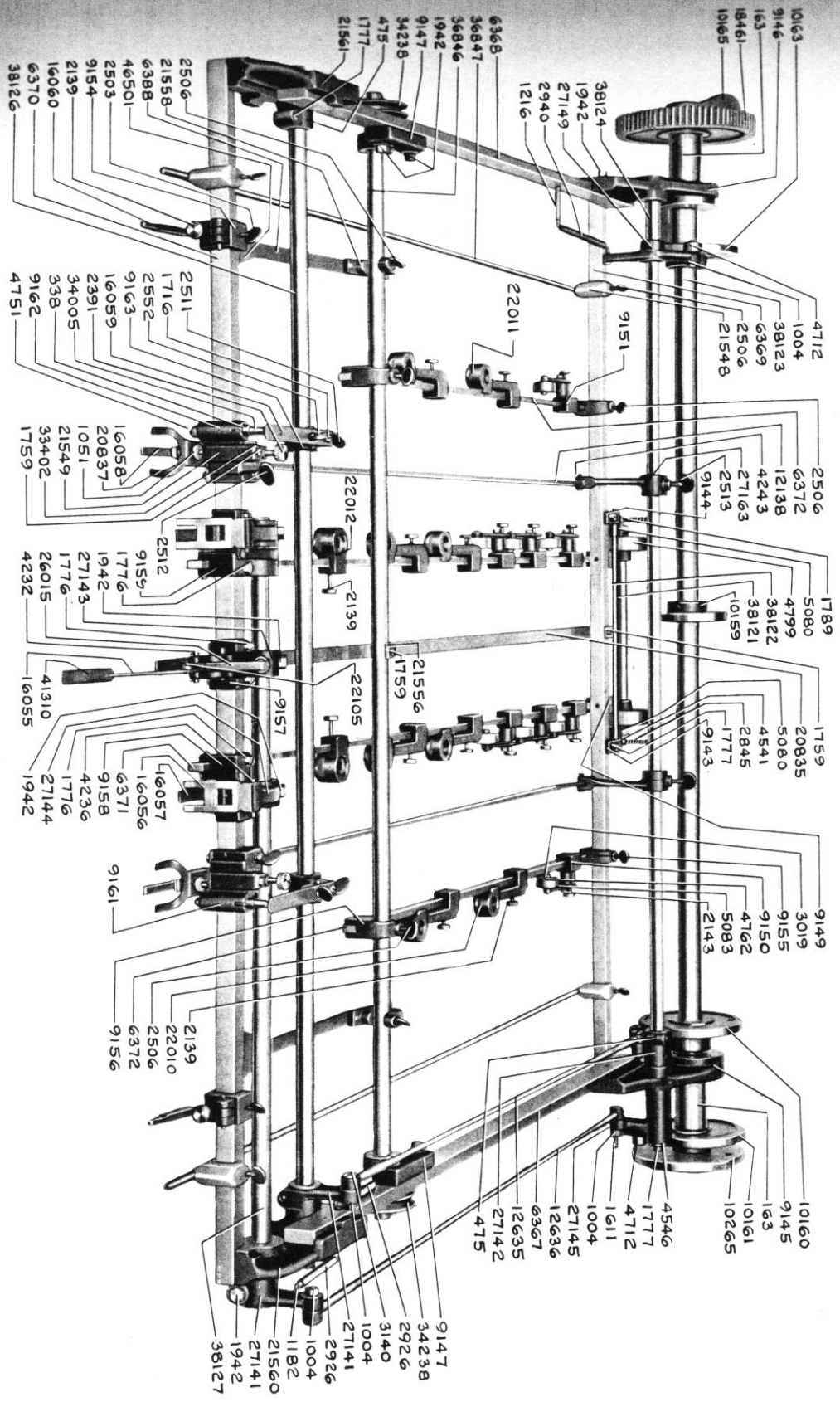


View of Feeder Looking from Delivery End of Press; Blast, Suction Tubes and Caliper Parts

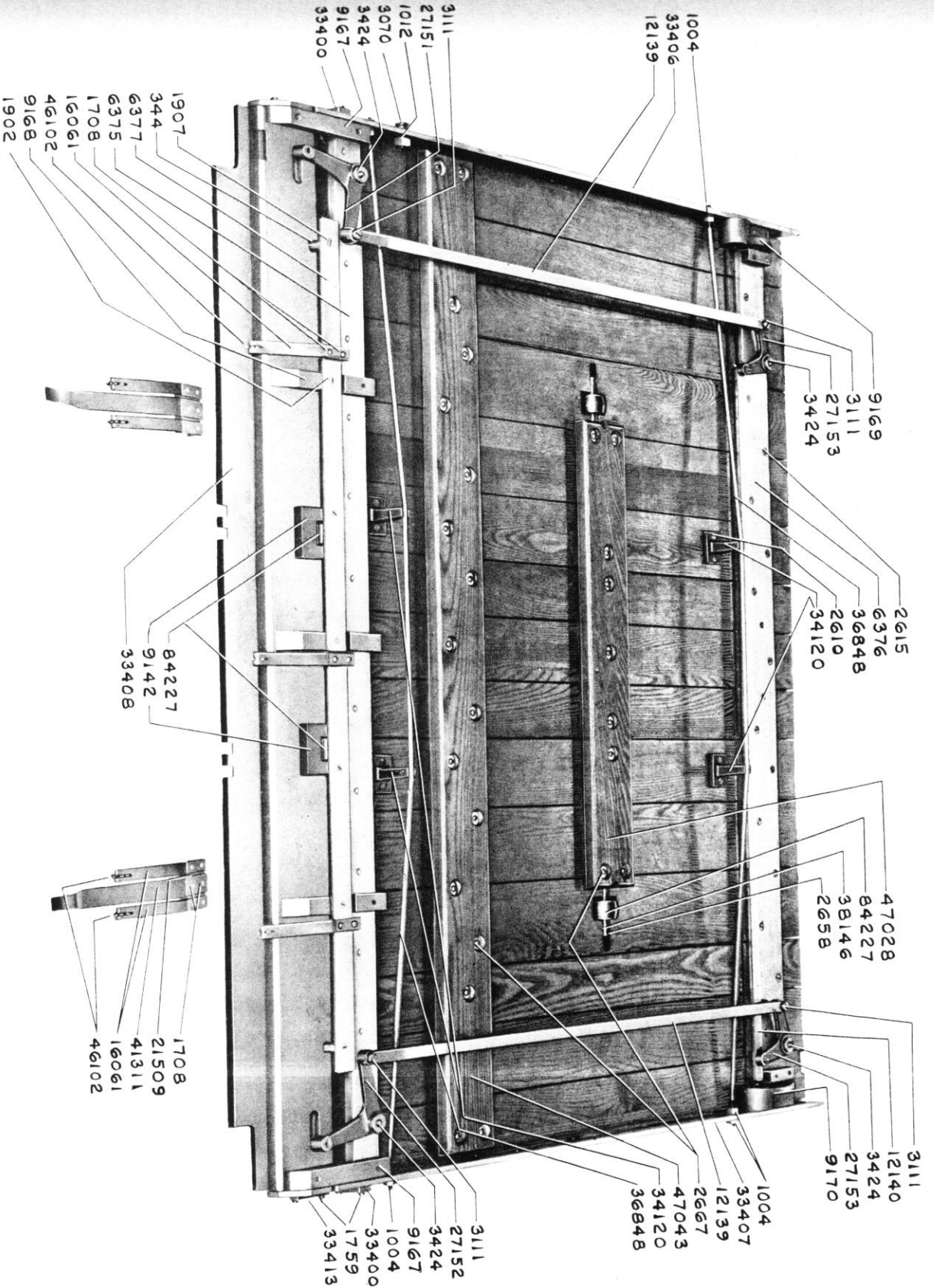
- 3213
- 34238
- 9153
- 1016
- 727
- 38110
- 38144
- 22620
- 14318
- 22303
- 22305
- 43625
- 21557
- 22306
- 22304
- 39612
- 21543
- 16020
- 17037
- 46112
- 4712
- 27134
- 10158
- 10159
- 21542
- 25223
- 2566
- 38113
- 21562
- 11602
- 18450
- 14318
- 3213
- 34238
- 9152
- 1016
- 26030
- 21004
- 9139
- 27137
- 10160
- 2021
- 11019
- 10265
- 10161
- 4712
- 27146
- 33009
- 2405
- 17032
- 4406
- 33012
- 6373
- 27119
- 39822
- 6359
- 33337
- 3302
- 16022
- 1105
- 9056
- 12135
- 3002
- 27040
- 9140
- 30006
- 33394
- 33397
- 9056
- 11806
- 9140
- 33395
- 6357
- 22350
- 6357
- 6358
- 9134
- 58515
- 6361
- 33398
- 17034
- 17036
- 34236
- 6363
- 21544
- 2560
- 38123
- 17035
- 38116
- 6365
- 33399
- 38118
- 6360
- 21030
- 1016
- 5081
- 22623
- 3183
- 11602
- 11603
- 17033
- 18461
- 2021
- 11019
- 163
- 10163
- 27139
- 27168
- 3175
- 21559
- 2576
- 22622
- 4407
- 1430
- 21545
- 4401
- 21030
- 39822
- 36854
- 3002
- 27040
- 2405
- 21010
- 45224
- 2552
- 404
- 17034
- 43623
- 1059
- 1367
- 30006
- 9140

1016
914
163
184
1014

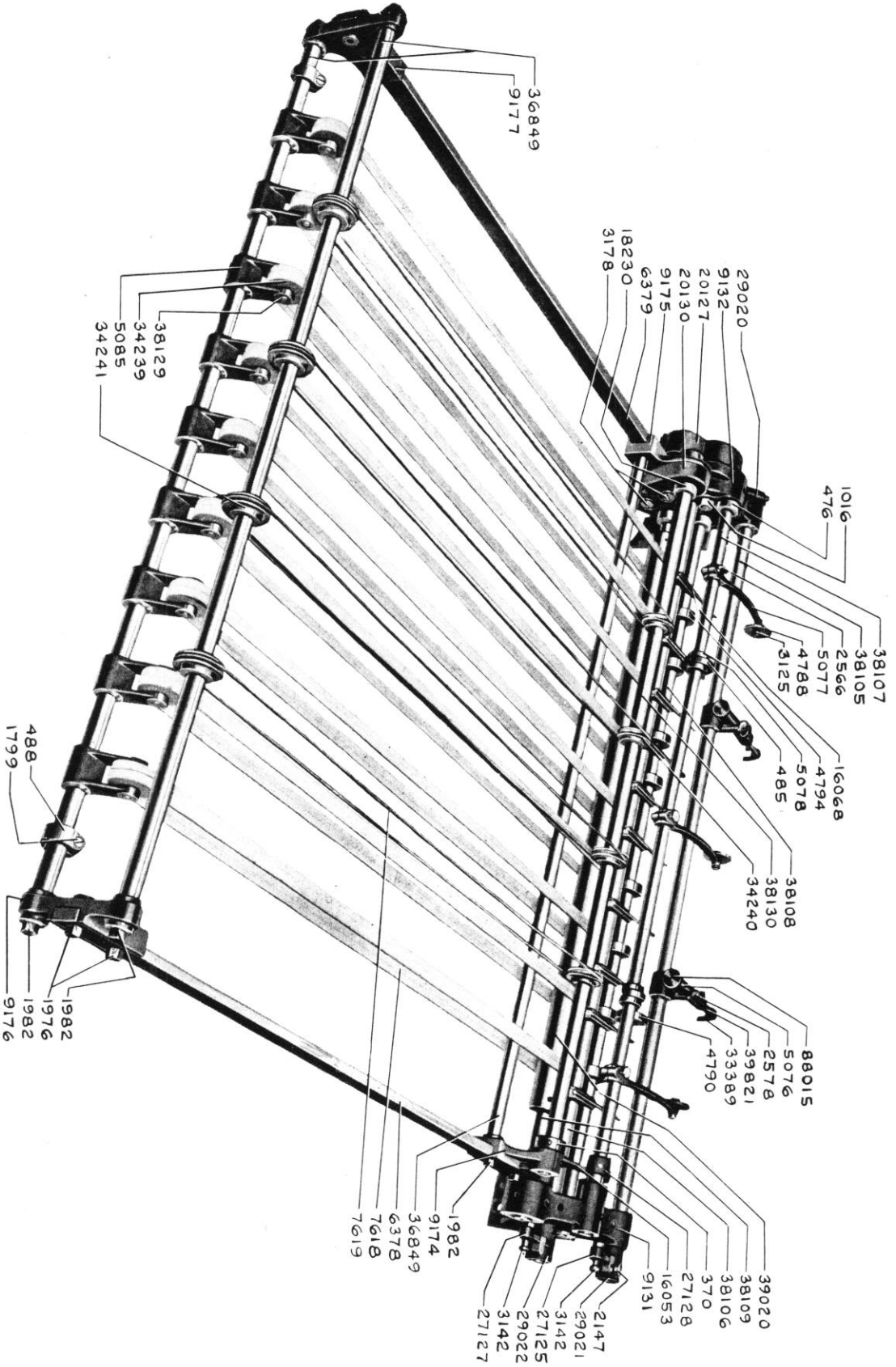
63
36
36
19
91
34
47
17
21



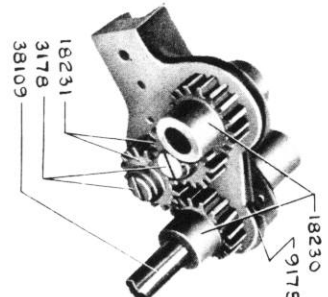
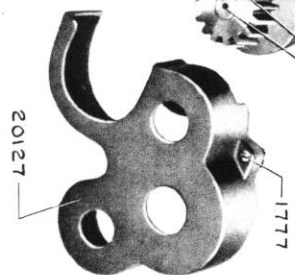
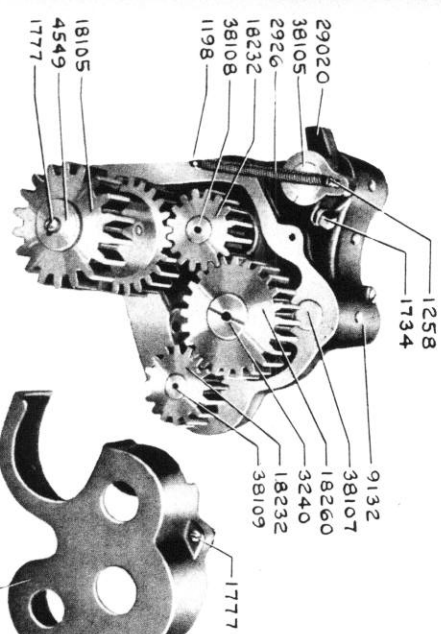
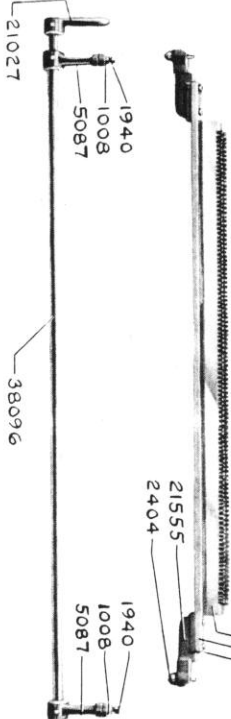
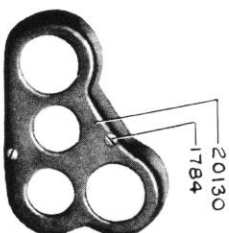
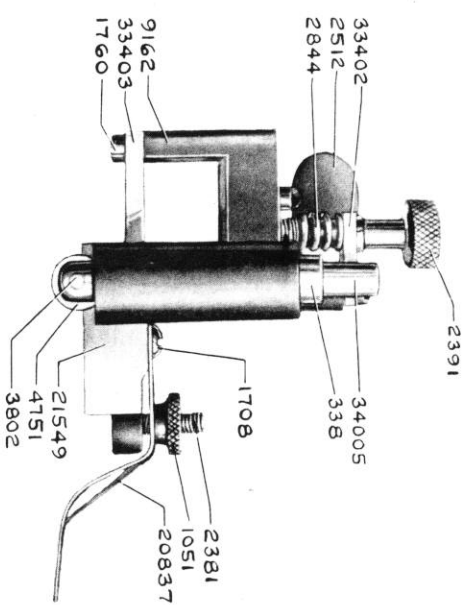
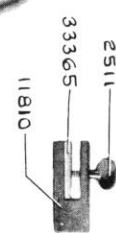
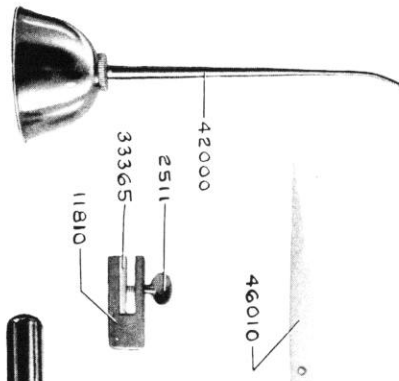
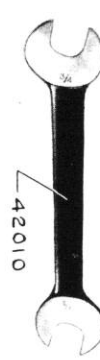
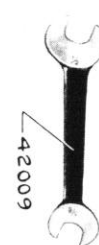
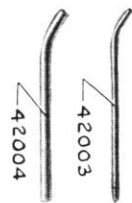
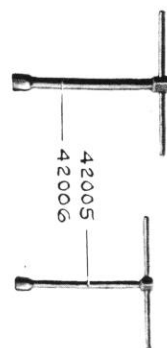
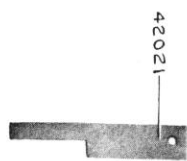
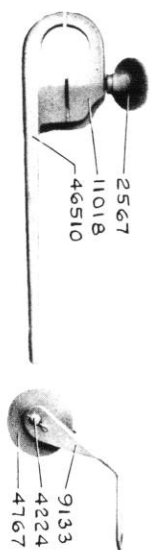
Automatic Feeder Conveyor Completely Assembled



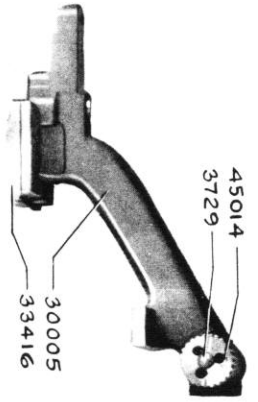
Underside View of Feed Board



Extension Delivery Conveyor Completely Assembled

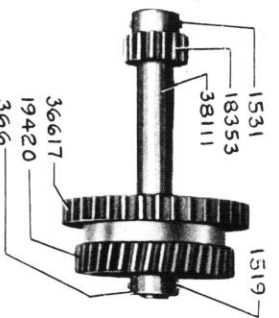


Slow-down Heads, Sheet Bands, Delivery Drive Parts and Tools



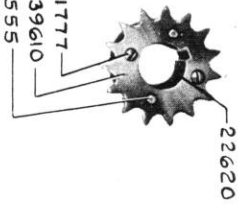
45014
3729

30005
33416



1531
18353
38111

36617
19420
366

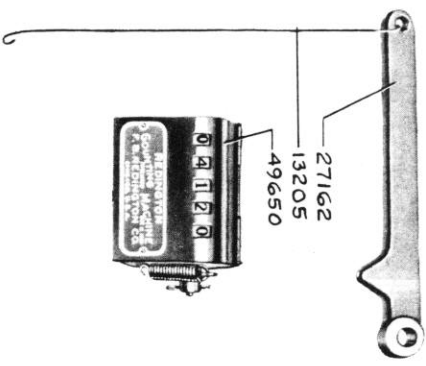


1519

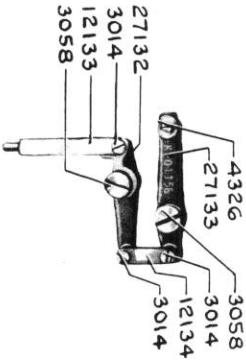
1777
39610
555



39312

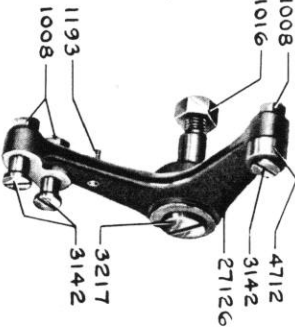


27162
13205
49650



27132
3014
12133
3058

4326
27133
3014
12134
3014

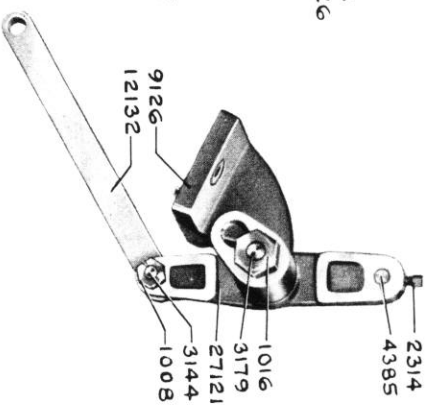


1008
1016

1193
1008

4712
3142
27126

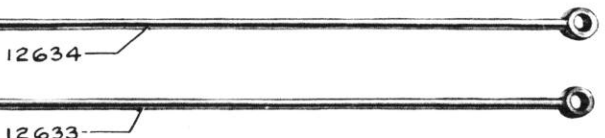
3217
3142



2314
4385

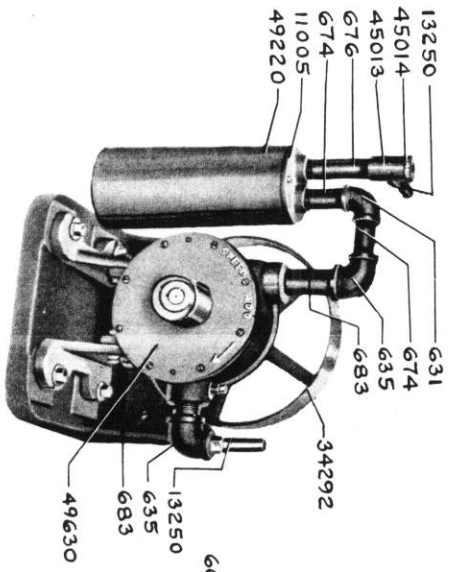
1016
3179
27121
3144
1008

9126
12132



12634

12633

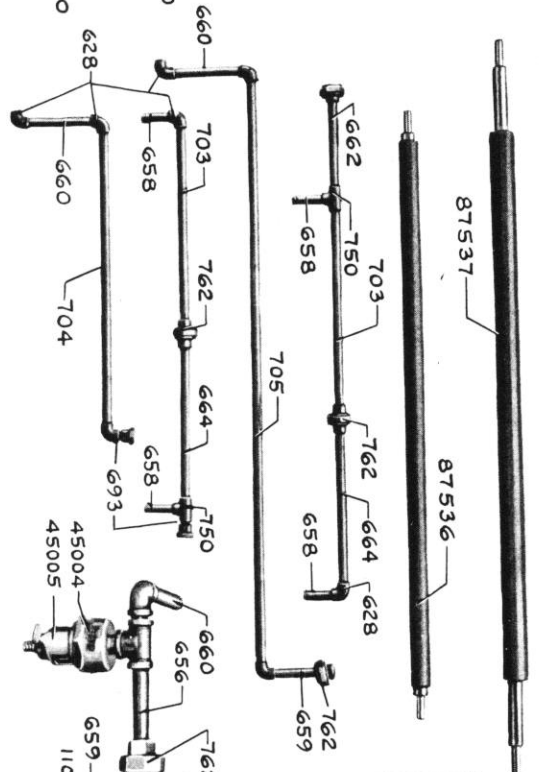


13250
45014
45013
676
674
11005
49220

631
674
635
683

34292

13250
635
683
49630

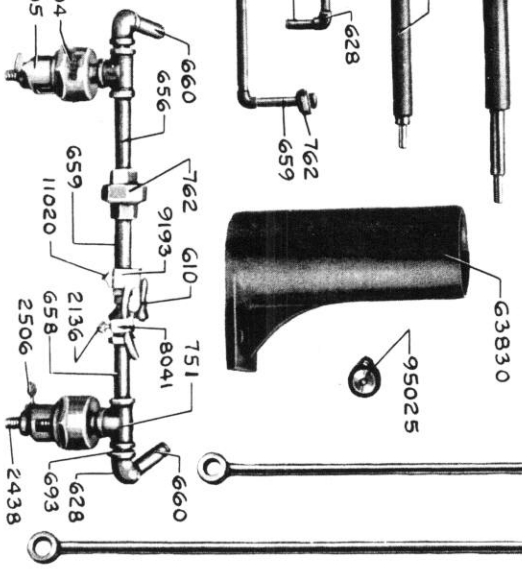


87537

87536

662
703
750
658
703
762
664
628
658
762

660
703
658
660
704
762
664
658
750
693

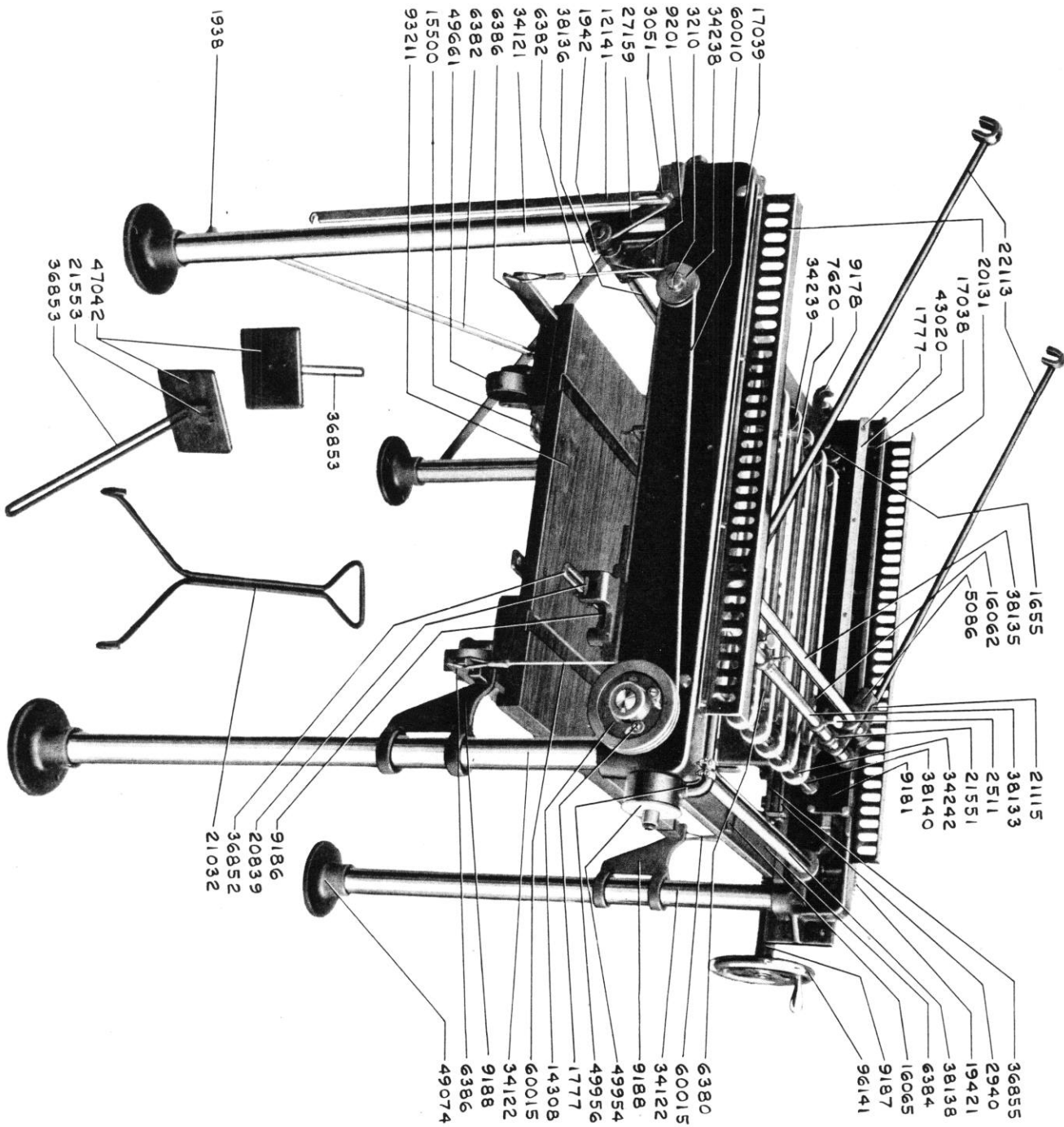


63830

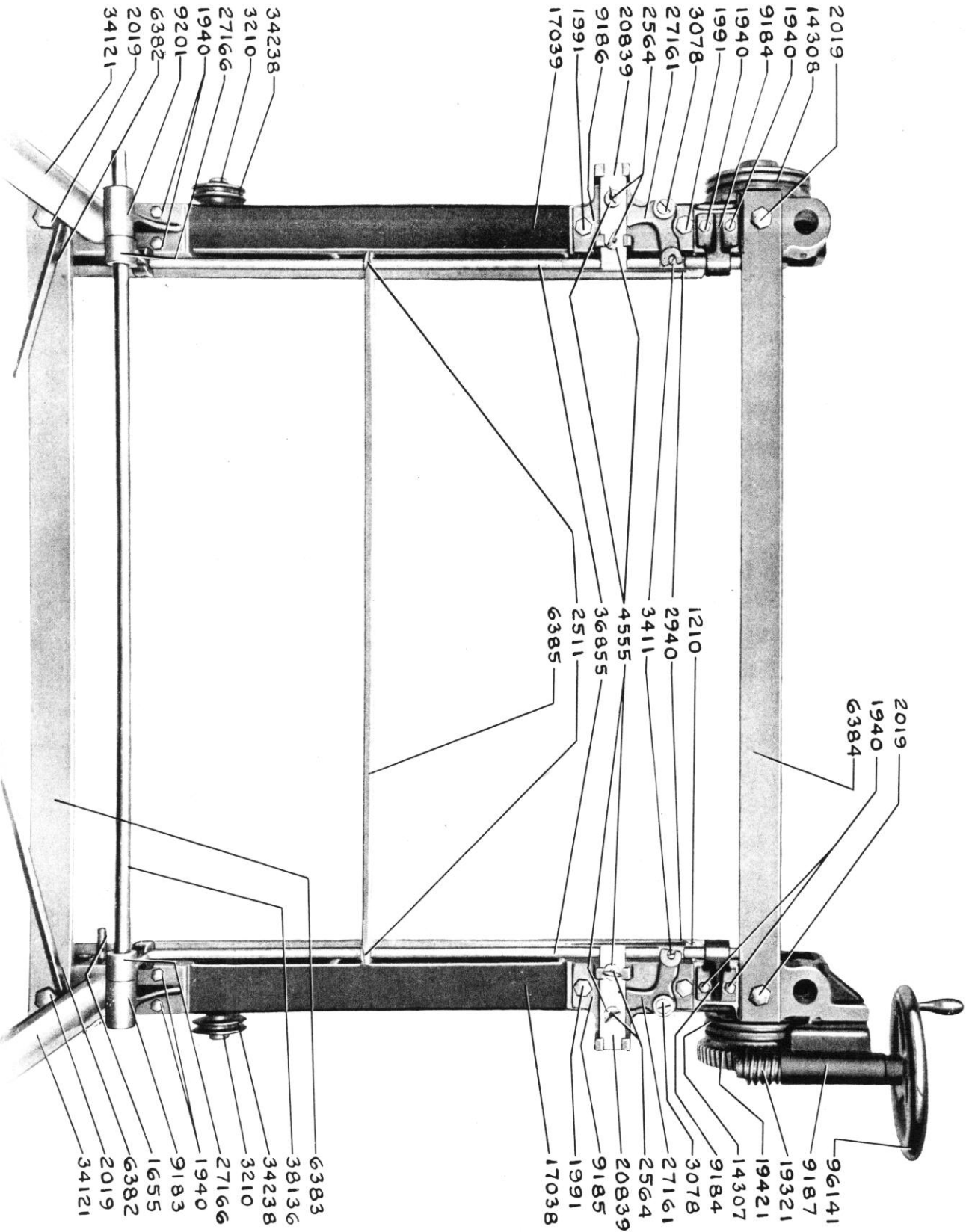
95025

45004
45005
660
656
659
762
610
9193
11020
751
8041
2136
2506
628
693
2438

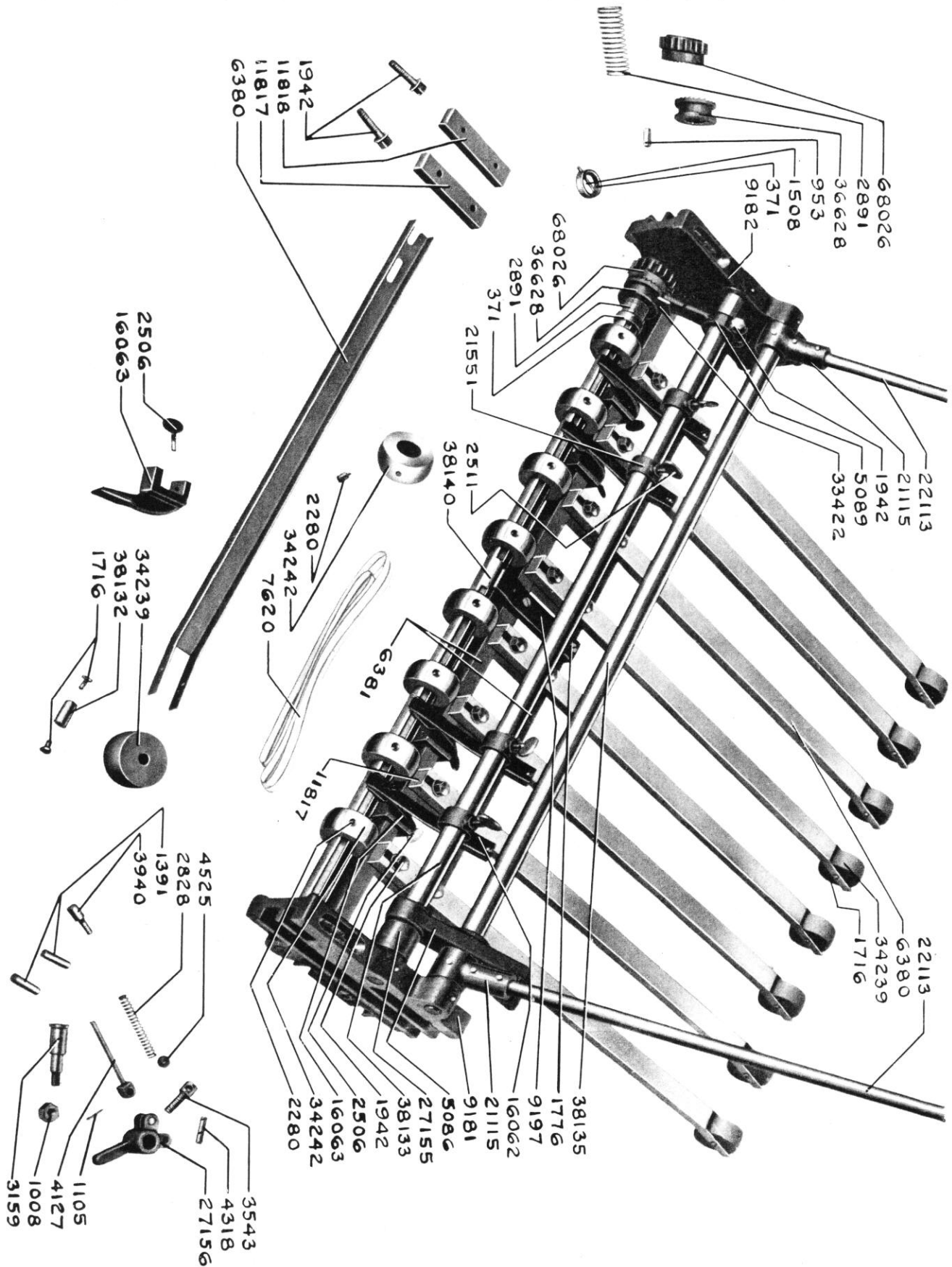
Suction Mouthpiece, Feeder Drive, Air Cylinder, Air Valve and Pipe Assembly, Roller Stocks and Blower



Extension Delivery with Truck



Underside View Extension Delivery



Reciprocating Tape Delivery Carriage and Component Parts

W.M.No.	Name of Part	W.M.No.	Name of Part
	BOLTS		
51	Bolt—Flat Head Stove	288	Bushing—Gear Shaft F. S.
54	Bolt—Pile Table Board	292	Bushing—Bed Drive Shaft G. S.
76	Bolt—Cylinder Bearing	295	Bushing—Gear Shaft G. S.
	BUSHINGS (Plain)		BUSHINGS (Flanged) —Continued
105	Bushing—Gripper Spring Rod See Assembly No. 86843	315	Collar—Crumpled Sheet Latch See Assembly No. 72205
117	Bushing—Tension Ball See Assembly No. 72015	337	Collar—Shoofly Rod See Assembly No. 77084
118	Bushing—Tension Ball See Assembly Nos. 72016, 72017	338	Collar—Sheet Detainer Plunger See Assemb. Nos. 59122, 59123
119	Bushing—Tension Ball See Assembly Nos. 72018, 72019	344	Collar—Tongue Bar Spacing
141	Bushing—Segment Rack Bar See Assembly No. 56351	349	Collar—Shoofly Bearing See Assembly No. 89510
142	Bushing—Impression Lever Rod	355	Collar—Fountain Trip Shaft
144	Bushing—Top Band Idler See Assembly No. 84226	362	Collar—Spacing See Assembly No. 84227
146	Bushing—Delivery Operating Connection	363	Collar—Spacing
147	Bushing—Gripper Shaft See Assembly No. 50105	366	Collar—Packing Clamp See Assembly No. 88417
150	Bushing—Tape Drive Shaft [Feeder Side]	368	Collar—Eccentric Spring Rod See Assembly Nos. 86850, 86851
153	Bushing—Tape Drive Shaft [Gear Side]	369	Collar—Segment Bar Pin
155	Bushing—Gripper Tumbler See Assembly No. 50105	370	Collar—Delivery Roll Shaft
159	Bushing—Conv. Pulley Shaft F. S.	371	Collar—Ratchet Operating Spring
161	Bushing—Conv. Pulley Shaft G. S.	374	Collar—Impression Lever Shaft
163	Bushing—Trunnion (Sleeve)	381	Collar—Crosshead Space See Assembly No. 67025
164	Bushing—Feeder Frame	390	Collar—Ink Drum Shaft
168	Bushing—Vibrator Roll Arm Shaft	393	Collar—26" Gear Shaft
170	Bushing—Ink Fountain F. S.		COLLARS (Spacing Tubes)
171	Bushing—Ink Fountain G. S.	401	Collar—Spacing Tube See Assembly No. 59013
176	Bushing—Ductor—Fountain Lever Shaft	402	Collar—Abutment Piece See Assembly No. 86841
188	Bushing—Delivery Operating Lever Shaft	403	Collar on Pull Guide See Assembly No. 70859
189	Bushing—Retainer	404	Collar—Caliper Finger (Tubing)
191	Bushing—Impression Eccentric Connection	408	Collar—Controller Box
	BUSHINGS (Flanged)	421	Collar—Lever Pin Sleeve
210	Bushing—Vibrator Roll	423	Collar—Gripper Shaft See Assembly No. 50105
219	Bushing—Vibrator Roll Screw See Assembly No. 87533		SPECIAL COLLARS
220	Bushing—Vibrator Roll Screw See Assembly No. 87535	450	Special Collar—Register Plate Support Pin Stop See Assem. [No. 59013]
238	Bushing—Impression Eccentric (Outer)	459	Special Collar—Ductor Roll Arm Shaft
239	Bushing—Impression Eccentric (Inner)	475	Special Collar—Clamp
243	Bushing—Ink Mechanism Drive Shaft G. S.	476	Special Collar—Clamp
255	Bushing—Ink Mechanism Drive Shaft F. S.	480	Special Collar—Ink Fountain
265	Bushing—Handwheel Shaft F. S.	485	Special Collar—Delivery Tension Roll Arm
268	Bushing—Handwheel Shaft G. S.	488	Special Collar—Delivery Tape
271	Bushing—Gear Shaft		Frame Tie Rod Locating
273	Bushing—Crank Shaft [Crank End]		
278	Bushing—Crank Shaft G. S.		
280	Bushing—Bed Drive Shaft		
			DOWELS
			Order for part to which it is to be attached

W.M.No.	Name of Part	W.M.No.	Name of Part
PIPE AND FITTINGS			
610	Steam Cock $\frac{3}{8}$	1050	SPECIAL NUTS
615	Reducing Coupling $\frac{1}{4}$ to $\frac{1}{8}$	1051	Register Plate Support Pin Nut See Assembly No. 59013
620	Union—Compression	1058	Knurled Nut See Assembly Nos. 59122, 59123
626	Elbow $\frac{1}{8}$	1059	Finger Adjusting Nut See Assembly No. 70859
628	Elbow $\frac{3}{8}$	1062	Wing Nut for Caliper Finger Adj. Screw
631	Elbow $\frac{3}{4}$	1063	Blower Base Plate Nut
632	Elbow $\frac{3}{4}$ (45°)	1070	Press Motor Base Plate Nut
635	Reducing Elbow 1 to $\frac{3}{4}$	1075	Turnbuckle for Impression Eccentric Lever Connection
652	Nipples $\frac{1}{8} \times 3$	1081	Special Hex Nut for Impression Eccentric Lever Connection
654	Nipples $\frac{1}{8} \times 5$	1082	Adjusting Nut for Cylinder Lift Spring Adj. Screw
656	Nipples $\frac{3}{8} \times 2\frac{3}{4}$		Lock Nut for Cylinder Lift Spring Adj. Screw
658	Nipples $\frac{3}{8} \times 2\frac{1}{4}$	PINS, SPRING PLUGS AND LATCHES	
659	Nipples $\frac{3}{8} \times 3\frac{1}{2}$	1151	Bunter Block Spring Plug See Assembly Nos. 58010, 58011
660	Nipples $\frac{3}{8} \times 5$	1152	Rider Roll Screw Lock Pin
662	Nipples $\frac{3}{8} \times 6\frac{1}{4}$	1154	Delivery Drive Roll Pin
664	Nipples $\frac{3}{8} \times 10\frac{5}{8}$	1156	Star Wheel Spring Plug
670	Nipples $\frac{3}{4} \times 1\frac{1}{2}$	1159	Spring Plug See Assembly No. 64010
674	Nipples $\frac{3}{4} \times 2\frac{1}{2}$	1162	Star Wheel Latch Pin
676	Nipples $\frac{3}{4} \times 4$	1166	Form Roll Bearing Dog
677	Nipples $\frac{1}{2} \times 7$		
683	Nipples $1 \times 3\frac{1}{2}$		
693	Close Nipple $\frac{3}{8}$		
695	Close Nipple $\frac{1}{2}$		
703	Black Iron Pipe $\frac{3}{8} \times 13\frac{1}{2}$		SPRING PINS
704	Black Iron Pipe $\frac{3}{8} \times 20$		Order for part to which it is to be attached
705	Black Iron Pipe $\frac{3}{8} \times 38\frac{5}{8}$		STRAIGHT PINS
727	Black Iron Pipe $\frac{3}{4} \times 23$		Order for part to which it is to be attached
750	Black Iron Pipe Tee $\frac{3}{8}$		
751	Black Iron Pipe Tee $\frac{3}{8} \times \frac{3}{8} \times \frac{1}{2}$		TAPER PINS
762	Union $\frac{3}{8}$		Order for part to which it is to be attached
	KEYS		
	Order for part to which it is to be attached		
956	Key—Gripper Finger Shoe ($\frac{3}{4}$ shaft) See Assembly No. 70011		THREAD PINS
958	Key—Gripper Finger Shoe ($\frac{7}{8}$ shaft) See Assembly No. 70023		Order for part to which it is to be attached
965	Key—Drop Guide See Assembly No. 70850		STANDARD SCREWS
975	Key—Shoofly Finger Rod See Assembly No. 86844		Order for part to which it is to be attached
	HEX NUTS		
	Order for part to which it is to be attached		SPECIAL SCREWS
1023	Nut—Turnbuckle Check R. H.	2370	Screw Drive
1025	Nut—Turnbuckle Check L. H.	2381	Screw—Adjusting See Assembly Nos. 59122, 59123
1028	Hex Nut—Check $\frac{7}{8}$ —9	2391	Screw—Knurled See Assembly Nos. 59122, 59123
		2395	Screw—Pull Guide Adjust. See Assembly No. 70859

W. M. No.	Name of Part	W. M. No.	Name of Part
PINS (Shoulder) — Continued			
3945	Pin—Fountain Regulator Ratchet	4390	Pins—Segment Rack Cam Rest
3950	Pin—Throw-off Cam Drive	4400	Pins—Reg. Plate Support See Assembly No. 59013
3955	Pin—Brake Shoe	4401	Pins—Feeder Clutch
3957	Pin—Gripper Spring Rod G. S. See Assembly No. 77082	4403	Pins—Gripper Tumbler Closer
3959	Pin—Gripper Spring Rod F. S. See Assembly No. 88418	4404	Pins—Gripper Tumbler Opening
3985	Pin—Impression Release Connection	4406	Pins—Feed Board Trunnion F. S.
3990	Pin—First Intermediate Gear	4407	Pins—Feed Board Trunnion G. S.
3992	Pin—Impression Connection Lever	4408	Pins—Cylinder Rear Sheet Band
CRANK PINS, Etc.			
4050	Reversing Crank Pin	4411	Pins—Impression Release Hinge
4061	First Intermediate Gear Stud	4413	Pins—Shoofly Shaft Bearing See Assembly No. 89510
4070	Cylinder Intermediate Gear Stud	4416	Pins—Segment Rack Bar
SPRING RODS			
4110	Spring Rod Impression Throw-off Lever	WASHERS AND STUD HEADS	
4127	Spring Sheet Stop	4507	Washer—Pull Guide Finger See Assembly No. 78059
HINGE PINS (With Cutters)			
4210	Pin—Sheet Detector Latch See Assembly Nos. 59119, 59120	4519	Washer—Air Cylinder Valve See Assembly No. 95025
4220	Pin—Control Lever Connection	4524	Washer See Assembly Nos. 95005, 95006
4224	Pin—Delivery Tape Rider Roll	4525	Washer—Drop Guide Plate See Assembly No. 70850
4232	Pin—Drop Guide Top Guide See Assembly Nos. 59117, 64010	4526	Washer—Pull Guide Lever
4236	Pin—Sheet Detector See Assembly No. 64012	4527	Washer—Ink Fountain Ratchet
4243	Pin—Slow-down Connection Lever	4529	Washer—Delivery Operating Stud
4255	Pin—Packing Clamp See Assembly No. 88417	4535	Washer—Cable Drum
PINS (Special)			
4301	Pins—Jogger Operating Disc Pivot	4537	Washer—Order for part used on
4303	Pins—Packing	4541	Washer—Paper Feed Roll Arm
4306	Pins—Reg. Plate Alignment See Assembly No. 59013	4544	Washer—Order for part used on
4318	Pins—Sheet Stop Spring Rod	4546	Washer—Cam Lever Shaft
4326	Pins—Feed Trip Lever Point	4549	Washer—Inter. Gear Stud (Head) See Assembly No. 68029
4327	Pins—Crumpled Detector Lever	4555	Washer—Order for part used on
4339	Pins—Suction Tube Holder See Assem. Nos. 67028, 67029, 67030, 67031	4560	Washer—Gripper Spring Rod See Assembly No. 50105
4370	Pins—Height Gauge Tube (Plug) See Assembly No. 93610	4563	Washer See Assembly No. 56381
4372	Pins—Pile Ratchet Pawl Lever Connection	4565	Washer—Order for part used on
4375	Pins—Bed Roller	4568	Washer—Order for part used on
4383	Pins—Delivery Operating Lever See Assembly No. 77113	4570	Washer—Rough $\frac{3}{8}$
4385	Pins—Tumbler Cam Roll	4580	Washer—Crank Pin (Head)
PINS (Special) — Continued			
4390	Pins—Segment Rack Cam Rest	4581	Washer—Cylinder Inter. Gear Stud
4400	Pins—Reg. Plate Support See Assembly No. 59013	4582	Washer See Assembly No. 88017
4401	Pins—Feeder Clutch	4586	Washer—Ductor Adjusting Stud
4403	Pins—Gripper Tumbler Closer	4587	Washer See Assembly Nos. 84227, 84228
4404	Pins—Gripper Tumbler Opening	4592	Washer See Assembly No. 56805
4406	Pins—Feed Board Trunnion F. S.	4597	Washer—Delivery Inter. Stud See Assembly No. 68029
4407	Pins—Feed Board Trunnion G. S.	4605	Washer See Assembly Nos. 56352, 56353
4408	Pins—Cylinder Rear Sheet Band	4614	Washer See Assembly No. 68023
4411	Pins—Impression Release Hinge	4630	Washer—Order for part used on
4413	Pins—Shoofly Shaft Bearing See Assembly No. 89510	4641	Washer—Order for part used on
4416	Pins—Segment Rack Bar	4647	Washer See Assembly No. 88418

THE NUMBER TWO KELLY AUTOMATIC PRESS BOOK OF PARTS

W.M.No.	Name of Part	W.M.No.	Name of Part
4712	Rolls— $\frac{7}{8}$ inch Cam ROLLS (Standard) Order for part used on See Assembly Nos. 77084, 77102, 77103	4767	ROLLS (Standard) — <i>Continued</i>
4717	Rolls— $\frac{1}{4}$ inch Segment Rack Bar	4782	Rolls—Delivery Tape Rider
4723	Rolls— $\frac{1}{4}$ inch Ductor Cam Lever	4784	Rolls—Slider Rack
4751	Rolls—2 inch Impression Cam Roll	4786	Rolls—Bed
4762	Rolls—2 inch Ink Fountain Cam Lever	4788	Rolls—Chain Rollers
	Rolls—Sheet Detainer See Assembly Nos. 59122, 59123	4790	Rolls—Margin See Assembly Nos. 55054, 55055
	Rolls—Tension See Assembly Nos. 59115, 59116	4794	Rolls—Delivery Tension See Assembly No. 55056
		4799	Rolls—Delivery Driving
			Rolls—Tension Feed

W.M.No.	Name of Part	W.M.No.	Name of Part
ARMS			
5017	Arm—Pull Guide Finger See Assembly No. 70859	6357	Bar—Pile Front Guide—Inner
5070	Arm—Ductor Roll F. S.	6358	Bar—Pile Front Guide—Outer
5071	Arm—Ductor Roll G. S.	6359	Bar—Front Pile Guide Support
5072	Arm—Vibrator Roll F. S.	6360	Bar—Front Pile Guide Support—Lower
5073	Arm—Vibrator Roll G. S.	6361	Bar—Pile Side Guide
5074	Arm—Vibrator Arm Tie Locating	6362	Bar—Pile Guide Support
5075	Arm—Packing Clamp See Assembly No. 88417	6363	Bar—Pile Top Guide See Assembly No. 70851
5076	Arm—Drop Guide See Assembly No. 70850	6364	Bar—Mouthpiece Support—Upper
5077	Arm—Margin Roll See Assembly Nos. 55054, 55055	6365	Bar—Mouthpiece Support—Lower
5078	Arm—Delivery Tension Roll See Assembly No. 55056	6366	Bar—Mouthpiece Valve Trip
5079	Arm—Conveyor Belt Tightener See Assembly No. 55060	6367	Bar—Conveyor Frame Side F. S.
5080	Arm—Paper Feed Roll	6368	Bar—Conveyor Frame Side G. S.
5081	Arm—Feeder Chain Sprocket	6369	Bar—Paper Top Guide Support F. E.
5083	Arm—Tension Roll See Assembly Nos. 59115, 59116	6370	Bar—Paper Top Guide Support D. E.
5084	Arm—Impression Throw-off Cam Drive	6371	Bar—Tension Roll Support—Long
5085	Arm—Delivery Tape Idler See Assembly No. 55068	6372	Bar—Tension Roll Support—Short
5086	Arm—Carriage Connection Rest	6373	Bar—Impression Throw-off
5087	Arm—Vibrator Roll Arm Lock	6374	Bar—Pull Guide Mounting
5089	Arm—Ratchet Operating	6375	Bar—Pull Guide Support Frame
BALLS			
6000	Ball—Tension 1/2 See Assembly No. 72015	6376	Bar—Feed Board Trunnion
6001	Ball—Tension 5/8 See Assembly Nos. 72016, 72017	6377	Bar—Drop Guide Tongue
6002	Ball—Tension 3/4 See Assembly Nos. 72018, 72019	6378	Bar—Tape Frame F. S.
BACKS			
6035	Back—Ink Fountain	6379	Bar—Tape Frame G. S.
6036	Back—Cylinder Brush (Filled) See Assembly No. 59505	6380	Bar—Carriage Tape Idler
6037	Back—Feed Board Extension Plate	6381	Bar—Carriage Tie
BANDS			
6110	Band—Cylinder Rear Sheet See Assembly No. 56150	6382	Bar—Delivery Frame Post Tie
6111	Band—Cylinder Front Sheet See Assembly No. 56354	6383	Bar—Delivery Frame Tie F. E.
BARBS			
6350	Bar—Crosshead	6384	Bar—Delivery Frame Tie D. E.
6351	Bar—Segment Rack See Assembly No. 56351	6385	Bar—End Jogger
6353	Bar—Pile Table Bracket Guide	6386	Bar—Truck Support F. E.
6354	Bar—Sheet Band See Assembly No. 56354	6388	Bar—Paper Top Wing See Assembly No. 70854
6355	Bar—Brush See Assembly No. 56355	6392	Bar—Bed Lockup
6356	Bar—Pile Table Bracket	6393	Bar—Register Plate F. S.
		6394	Bar—Register Plate G. S.
BEARERS			
		6906	Bearer—Bed (Extended Printing Surface)
BEARINGS			
		7035	Bearing—Rider Roll F. E.
		7036	Bearing—Rider Roll D. E.
		7037	Bearing—Form Roll
		7038	Bearing—Gripper Shaft Center See Assembly No. 50105
		7039	Bearing—Cylinder—Upper F. S.

W. M. No.	Name of Part	W. M. No.	Name of Part
BRACKETS—Continued			
9146	Bracket—Conveyor Frame Trunnion G. S.	9194	Bracket—Eccentric Spring Rod F. S.
9147	Bracket—Conveyor Frame Tie	9195	Bracket—Eccentric Spring Rod G. S.
9148	Bracket—Paper Top Guide	9196	Bracket—Carriage Tape Rack F. E.
9149	Bracket—Tension Roll Guide	9197	Bracket—Tape Drive Shaft Rest
9150	Bracket—Tension Roll Arm F. S. See Assembly No. 59115	9198	Bracket—Belt Guard Support
9151	Bracket—Tension Roll Arm G. S. See Assembly No. 59116	9199	Bracket—Drive Pulley
9152	Bracket—Conveyor Frame Lift F. S.	9200	Bracket—Grease Cup
9153	Bracket—Conveyor Frame Lift G. S.	9201	Bracket—End Jogger Rod Lever Shaft G. S.
9154	Bracket—Drop Guide Top Guide See Assembly No. 59117	9202	Bracket—Cylinder Inter. Gear
9155	Bracket—Outer Tension Support Bar F. E.	9205	Bracket—Base F. E. See Assembly No. 56805
9156	Bracket—Outer Tension Support Bar D. E.	9206	Bracket—Base D. E. See Assembly No. 56805
9157	Bracket—Crumpled Sheet Detector See Assembly No. 64010		
9158	Bracket—Sheet Detector Latch F. S.		
9159	Bracket—Sheet Detector Latch G. S.		
9160	Bracket—Impression Throw-off Rod		
9161	Bracket—Slow-down Finger F. S. See Assembly No. 59122	10005	Cable—Conveyor Frame Lift
9162	Bracket—Slow-down Finger G. S. See Assembly No. 59123	10006	Cable—Delivery—Long See Assembly No. 60010
9163	Bracket—Detainer Operating Shaft See Assembly No. 66029	10007	Cable—Delivery—Short See Assembly No. 60015
9164	Bracket—Slow-down Brush F. S. See Assembly No. 59125		
9165	Bracket—Slow-down Brush G. S. See Assembly No. 59126		
9166	Bracket—Mounting Bar Lever		
9167	Bracket—Conveyor Frame Support—Outer	10110	Cam—Pull Guide Finger See Assembly No. 59013
9168	Bracket—Conveyor Frame Support—Inner	10150	Cam—Segment Rack F. E.
9169	Bracket—Feed Board Trunnion F. S.	10151	Cam—Segment Rack D. E.
9170	Bracket—Feed Board Trunnion G. S.	10152	Cam—Impression
9171	Bracket—Feed Board Locating	10153	Cam—Ink Fountain
9172	Bracket—Drive Guard Tie	10154	Cam—Ductor Roll
9174	Bracket—Tape Frame Hinge F. S.	10155	Cam—Packing Clamp See Assembly No. 88417
9175	Bracket—Tape Frame Hinge G. S.	10156	Cam—Gripper Tumbler Pin
9176	Bracket—Tape Frame Head F. S.	10157	Cam—Shoofly
9177	Bracket—Tape Frame Head G. S.	10158	Cam—Mouthpiece Valve
9178	Bracket—Tape Frame Rest	10159	Cam—Suction Tube
9180	Bracket—Carriage Tape Rack D. E.	10160	Cam—Sheet Detainer
9181	Bracket—Tape Carriage F. S.	10161	Cam—Sheet Detector
9182	Bracket—Tape Carriage G. S.	10163	Cam—Slow-down
9183	Bracket—End Jogger Lever Shaft	10164	Cam—Snap Guide
9184	Bracket—End Jogger Rod	10165	Cam—Mounting Bar Operating
9185	Bracket—Side Jogger	10166	Cam—Drop Guide
9186	Bracket—Side Jogger	10265	Cam—Impression Throw-off
9187	Bracket—Worm Shaft		
9188	Bracket—Truck Guide		
9189	Bracket—Platform	11005	Cap—Air Receiver Tank
9190	Bracket—Pile Chain Roll	11015	Cap—Rider Roll Bearing
9192	Bracket—Segment Rack Bar	11016	Cap—Cylinder Housing F. S.
9193	Bracket—Air Valve Stop	11017	Cap—Cylinder Housing G. S.
			CABLES
			CAMS
			CAPS

W.M.No.	Name of Part	W.M.No.	Name of Part
	<i>CAPS—Continued</i>		<i>CONNECTIONS—Continued</i>
11018	Cap—Delivery Wing See Assembly No. 96525	12135	Connection—Blast Defl. Plate Adjusting See Assembly No. 80026
11019	Cap—Conveyor Cam Shat	12136	Connection—Impression Throw-off
11020	Cap—Air Valve Stop	12137	Connection—Stop Switch Pawl Connection Lever
	CASES	12138	Connection—Slow-down Finger
11513	Case—Mounting Bar Spring	12139	Connection—Mounting Bar Lever
	CHAIN	12140	Connection—Mounting Bar Operating
11602	Chain—Pile Table $\frac{5}{8}$ P	12141	Connection—Jogger Operating Lever
11603	Chain—Feeder Drive $\frac{5}{8}$ P	12628	Connection—Impression Lever D. E.
	CHASE	12629	Connection—Impression Lever F. E.
11655	Chase—Standard	12630	Connection—Impression Eccentric
	CHEEK-PIECES	12631	Connection—Ink Fountain
11710	Cheek-piece Ink Fountain F. S.	12632	Connection—Ductor Roll Arm
11711	Cheek-piece Ink Fountain G. S.	12633	Connection—Drop Guide
	CLAMPS	12634	Connection—Stripper Finger
11806	Clamp—Blast Hose	12635	Connection—Sheet Detainer
11810	Clamp—Conveyor Belt	12636	Connection—Sheet Detector
11815	Clamp—Chase	12638	Connection—Delivery Operating
11816	Clamp—Packing See Assembly No. 61816	13006	Connection—Gripper Spring (Rod) F. S. See Assembly No. 86843
11817	Clamp—Carriage Tape Idler Bar—Upper See Assembly No. 56381	13007	Connection—Eccentric Spring (Rod) F. S. See Assembly No. 86850
11818	Clamp—Carriage Tape Idler Bar—Lower See Assembly No. 56381	13008	Connection—Eccentric Spring (Rod) G. S. See Assembly No. 86851
	CLIPS	13115	Connection—Pile Ratchet Pawl Lever See No. 4372 for Pin
11900	Clip—Oil Pipe—Single See Assem. Nos. 56352 or 56353, 72225	13205	Connection—Counter
11901	Clip—Oil Pipe—Double	13250	Connection—Hose
11902	Clip—Oil Pipe—Triple		COUPLINGS
11903	Clip—Oil Pipe—Single (J-shape)	13400	Coupling—Belt
11904	Clip—Special	13405	Coupling—Fountain Ratchet Shaft
11920	Clip—Blast Hose		COVERS
11960	Clip—Crosshead Bar	13515	Cover—Mounting Bar Spring
	CONNECTIONS	13516	Cover—Center ($\frac{3}{4}$ Hole)
12130	Connection—Impression Throw-off Safety	13517	Cover—F. E. ($\frac{3}{4}$ Hole)
12131	Connection—Fountain Trip	13519	Cover— $26''$ Gear Guard F. E.
12132	Connection—Gripper Tumbler Operating	13520	Cover— $26''$ Gear Guard D. E.
12133	Connection—Feed Trip		CRANKS
12134	Connection—Feed Trip Lever	13700	Crank—Reversing
			CYLINDER
		13851	Cylinder—Impression See Assembly No. 63825

W.M.No.	Name of Part	W.M.No.	Name of Part
DRUMS			
14307	Drum—Lowering Cable F. S.	17034	Frame—Suction Tube F. S. See Assembly No. 67028
14308	Drum—Lowering Cable G. S.	17035	Frame—Suction Tube G. S. See Assembly No. 67029
14318	Drum—Conveyor Lift Cable	17036	Frame—Suction Tube F. S.—Inner See Assembly No. 67030
		17037	Frame—Suction Tube G. S.—Inner See Assembly No. 67031
ECCENTRICS			
15015	Eccentric—Impression F. S.	17038	Frame—Delivery F. S.
15016	Eccentric—Impression G. S.	17039	Frame—Delivery G. S.
15017	Eccentric—Pile Feed Operating	17041	Frame—Side Press F. S.
		17042	Frame—Side Press G. S.
EYES			
15500	Eye—Truck Handle See Assembly No. 93211	GEARING—Spur	
FINGERS			
16011	Finger—Pull Guide R. H. See Assembly No. 70859	18105	Gear—Delivery Drive See Assembly No. 68029
16012	Finger—Pull Guide L. H. See Assembly No. 70859	18111	Gear—Handwheel Shaft—Pinion
16020	Finger—Pack Guide	18130	Gear—Ink Mech. Drive—Inner
16021	Finger—Height Gauge See Assembly No. 55058	18132	Gear—Cylinder Intermediate
16022	Finger—Caliper	18140	Gear—Bed Drive
16050	Finger—Ink Fountain Trip	18143	Gear—Reversing Crank Drive
16051	Finger—Shoofly See Assembly No. 66026	18150	Gear—Bed
16052	Finger—Ratchet Pawl Raising	18160	Gear—Cylinder Ring See Assembly No. 68023
16053	Finger—Stripper Stop	18161	Gear—Cylinder Spring See Assembly No. 68023
16054	Finger—Conveyor Frame Stop	18175	Gear—Segment
16055	Finger—Crumpled Sheet Detector See Assembly No. 66028	18176	Gear—Segment
16056	Finger—Sheet Detector See Assembly No. 64012	18191	Gear—26" D. E.
16057	Finger—Sheet Detector Stripper	18230	Gear—Top Band Drive
16058	Finger—Slow-down See Assembly Nos. 59122, 59123	18231	Gear—Top Band Intermediate
16059	Finger—Sheet Detainer Operating See Assembly No. 66029	18232	Gear—Delivery Roll Shaft
16060	Finger—Corner Hold-down See Assembly No. 59117	18260	Gear—Delivery Intermediate
16061	Finger—Feed Board Starwheel See Assembly No. 66030	18353	Gear—Pile Feed Ratchet Shaft
16062	Finger—Sheet Stop See Assembly No. 66031	18369	Gear—Carriage Tape Drive See Assembly No. 68026
16063	Finger—Sheet Rest See Assembly No. 66032	18382	Gear—Vibrator Roll—Small See Assembly No. 87535
16064	Finger—End Jogger See Assembly No. 66033	18394	Gear—Vibrator Roll—Large See Assembly No. 87533
16065	Finger—Delivery Pile See Assembly No. 66034	18400	Gear—Vibrator Roll—Intermediate
16068	Finger—Stripper	18415	Gear—Suction Wheel—Large
		18417	Gear—Suction Wheel—Inter.
FRAMES			
17027	Frame—Feeder End Press	18430	Gear—Suction Wheel—Drive
17028	Frame—Del. End Press	18450	Gear—Ink Drum
17029	Frame—Center Press	18452	Gear—Pile Sprocket
17030	Frame—Longitudinal Press	18453	Gear—1st Inter. Ink Mechanism
17031	Frame—Crosshead See Assembly No. 67025	18454	Gear—2d Inter. Ink Mechanism
17032	Frame—Feeder F. S.	18460	Gear—Ink Mech. Drive—Outer
17033	Frame—Feeder G. S.	18461	Gear—Suction Wheel Shaft
		18475	Gear—Conveyor Cam Shaft
		18476	Gear—Slider Drive F. S.
		18477	Gear—Slider—Half with key
		18535	Gear—Slider—Half without key
		18555	Gear—Ratchet Guard Operating
			Gear—Ratchet Guard
			Gear—Fountain Pawl Guard

W. M. No.	Name of Part	W. M. No.	Name of Part
18925	Gear—Register Segment See Assembly No. 50105	20615	GUIDGEONS—Continued
19320 19321 19420 19421	GEARING—Worm Worm—Pile Table R. H. Worm—Delivery Cable L. H. Worm—Pile Table Worm R. H. Worm—Delivery Cable Worm Gear	20616 20617 20618	Guidgeons—Ductor and Rider Roll See Assembly No. 88443 Guidgeons—Form Roll Shaft See Assembly No. 88444 Guidgeons—Vibrator Roll Guidgeons—Vibrator Roll
19515 19516 19517 19518 19519 19520	GIBS Gib—Bed F. S.—F. E. Gib—Bed F. S.—D. E. Gib—Bed G. S.—F. E. Gib—Bed G. S.—D. E. Gib—Crosshead Gib—Mounting Bar	20830 20831 20832 20833 20835 20837 20838 20839	GUIDES Guide—Crosshead Bar D. E. Guide—Crosshead Bar F. E. Guide—Gripper Spring Rod See Assembly No. 50105 Guide—Drop Guide Top See Assembly No. 70850 Guide—Paper Top—Center Guide—Slow-down Top See Assembly Nos. 59122, 59123 Guide—Delivery Operating Connection Oil Guide—Side Jogger Plate
20007	Gripper—Cylinder See Assembly No. 70010 (10)	21002	HANDLES AND KNOBS
20120 20122 20123 20124 20126 20127 20128 20129 20130 20131 20132 20133 20134 20135 20136 20137	GUARDS Guard—Cylinder Tumbler Pin Guard—26" Gear—Upper F. E. Guard—26" Gear—Lower F. E. Guard—Driving Pinion Guard—Delivery Drive Gear Guard—Delivery Gear Guard—Vibrator Roll Gear Guard—Feeder Gear Guard—Tape Frame Gear Guard—Delivery Carriage Guard—Motor Belt Guard—Cylinder Gear Guard—26" Gear D. E. Guard—Handwheel Shaft Pinion Guard—Side Guide F. S. See Assembly No. 59013 Guard—Side Guide G. S. See Assembly No. 59013	21004 21010 21026 21027 21028 21030 21032 21033 21034	Handle—Fountain Crank Handle—Conveyor Lift Crank Handle—Blast Adjusting Plate Handle—Machine See Assembly No. 77080 Handle—Vibrator Roll Arm Lock Handle—Machine See Assembly No. 96141 Handle—Feeder Clutch Handle—Truck Handle—Drawer (comes with WM 47032 and WM 49780) Handle—Ductor Adjusting Stud Nut
20610 20611 20614	GUIDGEONS Guidgeons—Fountain Roll F. S. See Assembly No. 87531 Guidgeons—Fountain Roll G. S. See Assembly No. 87531 Guidgeons—Vibrator Roll	21115 21315 21316 21319 21405 21509 21510 21534 21535 21536 21537 21538 21540 21541	HEADS Head—Carriage Connection See Assembly No. 72226 Head—Ink Drum F. S. See Assembly No. 64324 Head—Ink Drum G. S. See Assembly No. 64324 Head—Delivery Tape Drum Head—Drop Guide Adjusting Screw See Assembly No. 88015 Head—Sheet Guide Tongue See Assembly No. 71231 Head—Feed Board Starwheel See Assembly No. 59130 Head—Air Cylinder See Assembly No. 63830 Head—Plunger Follower Head—Cup Expander Head—Cylinder F. S. See Assembly No. 63826 Head—Cylinder G. S. See Assembly No. 63826 Head—Pile Guide Finger F. S. Head—Pile Guide Finger G. S.

W. M. No.	Name of Part	W. M. No.	Name of Part
HEADS - Continued			
21542	Head—Pile Guide Bar F. S.	22617	Hub—Cylinder Gear See Assembly No. 68023
21543	Head—Pile Guide Bar G. S.	22618	Hub—Shoofty Finger See Assembly No. 66026
21544	Head—Pile Top Guide See Assembly No. 70851	22620	Hub—Pile Table Sprocket
21545	Head—Feeder Clutch	22621	Hub—Feed Drive Sprocket
21548	Head—Paper Top Guide	22622	Hub—Feed Sprocket
21549	Head—Slow-down Finger See Assembly Nos. 59122, 59123	22623	Hub—Feed Chain Tightener
21550	Head—Slow-down Brush See Assembly No. 59508	22626	Hub—Reversing Crank Gear
21551	Head—Sheet Stop Finger See Assembly No. 66031	LATCHES	
21553	Head—Side Jogger Rod See Assem. Nos. 58518, 58519, 58520	26015	Latch—Crumpled Sheet Detector See Assembly No. 64010
21554	Head—Fountain Ratchet Reg.	26018	Latch—Ratchet Pawl Raising
21555	Head—Cylinder Brush Bar See Assembly No. 56355	26025	Latch—Throw-off Pedal
21556	Head—Paper Top Guide See Assembly No. 70853	26026	Latch—Ductor Roll
21557	Head—Suction Tube Air	26027	Latch—Vibrator Roll Handle
21558	Head—Paper Top Guide Wing See Assembly No. 70854	26030	Latch—Feed Board
21559	Head—Pull Guide Lever	26031	Latch—Tape Frame
21560	Head—Conveyor Frame Head F. S.	LEVERS	
21561	Head—Conveyor Frame Head G. S.	27040	Lever—Blast Deflecting Rod
21562	Head—Height Gauge Arm	27100	Lever—Impression Eccentric F. S.
HOLDERS			
22010	Holder—Long Ball R. H. See Assembly Nos. 72016, 72018	27101	Lever—Impression Eccentric G. S.
22011	Holder—Long Ball L. H. See Assembly Nos. 72017, 72019	27102	Lever—Impression Connection F. S.
22012	Holder—Short See Assembly No. 72015	27103	Lever—Impression Connection G. S.
HOOKS			
22105	Hook—Crumpled Sheet Detector See Assembly No. 72205	27104	Lever—Release Connection
22111	Hook—Stop Switch Control	27105	Lever—Impression Cam
22112	Hook—Make-ready Board See Assembly No. 58521	27106	Lever—Impression Throw-off
22113	Hook—Carriage Connection See Assembly No. 72226	27107	Lever—Impression Throw-off Connection
22114	Hook—Impression Release See Assembly No. 72225	27108	Lever—Pedal Throw-off
HOSE			
22300	Hose—Suction	27109	Lever—Impr. Throw-off Connection
22303	Hose—Suction (Tube) Outer F. S.	27110	Lever—Ink Fountain Cam
22304	Hose—Suction (Tube) Outer G. S.	27111	Lever—Ink Fountain Operating
22305	Hose—Suction (Tube) Inner G. S.	27112	Lever—Ink Fountain Ratchet
22306	Hose—Suction (Tube) Inner	27113	Lever—Ductor Roll Cam
22350	Hose—Blast	27114	Lever—Ductor Roll Cam
HOUSINGS			
22405	Housing—Cylinder F. S.	27116	Lever—Vibrator Roll Arm Handle See Assembly No. 77080
22406	Housing—Cylinder G. S.	27117	Lever—Ductor Spring
		27118	Lever—Fountain Trip Shaft
		27119	Lever—Fountain Trip Throw-off See Assembly No. 77081
		27120	Lever—Gripper Spring Rod See Assembly No. 77082
		27121	Lever—Gripper Tumbler Cam
		27122	Lever—Tumbler Operating Connection
		27123	Lever—Tumbler Operating Pin
		27124	Lever—Shoofty Cam See Assembly No. 77084
		27125	Lever—Drop Guide Connection
		27126	Lever—Drop Guide Cam

W. M. No.	Name of Part	W. M. No.	Name of Part
PLATES—Continued			
33414	Plate—Support Frame		
33415	Plate—Pile Chain Roll Bracket		
33416	Plate—Suction Mouthpiece		
33417	Plate—Stripper Filling F. S.		
33418	Plate—Stripper Filling G. S.		
33422	Plate—Stripper Operating Arm		
33423	Plate—Spring Gear Stop See Assembly No. 68023		
33424	Plate—Blower Motor Base		
33425	Plate—Press Motor Base		
33426	Plate—Patent		
33427	Plate—Register See Assembly No. 59013		
PLUNGERS			
34005	Plunger—Sheet Detainer Roll See Assem. Nos. 59122, 59123		
POST			
34120	Post—Feed Board Brace		
34121	Post—Delivery Frame F. E.		
34122	Post—Delivery Frame D. E.		
PULLEYS			
34218	Pulley—Conveyor Belt Idler		
34236	Pulley—Conveyor Belt Drive		
34238	Pulley—Conveyor Frame Idler		
34239	Pulley—Delivery Tape Idler See Assembly Nos. 55068, 56380		
34240	Pulley—Top Band Drive		
34241	Pulley—Top Band Idler See Assembly No. 84226		
34242	Pulley—Carriage Tape Drive		
34243	Pulley—Conveyor Belt Idler See Assembly No. 84227		
34244	Pulley—Press Driving		
34245	Pulley—Press Driving (special for 550 volt 55 cycles)		
34246	Pulley—Motor Drive		
34247	Pulley—Motor Drive		
34248	Pulley—Motor Drive		
34249	Pulley—Motor Drive		
34250	Pulley—Motor Drive		
34251	Pulley—Motor Drive		
34252	Pulley—Motor Drive		
34253	Pulley—Motor Drive		
34254	Pulley—Motor Drive		
34255	Pulley—Motor Drive		
34257	Pulley—Blower Motor Drive		
34258	Pulley—Blower Motor Drive		
34259	Pulley—Blower Drive for Beach Russ		
34292	Pulley—Blower Drive—Leiman		
PADS—Felt Oil			
Order for part for which it is intended.			
RACKS—Gear			
36050	Rack—Bed		
36051	Rack—Segment See Assembly No. 56352, 56353		
36202	Rack—Slider		
36203	Rack—Carriage Tape Drive		
36401	Rack—Register		
RATCHETS			
36615	Ratchet—Ink Fountain		
36616	Ratchet—Packing Winding See Assembly No. 88416		
36617	Ratchet—Pile Feed		
36618	Ratchet—Pile Safety		
36619	Ratchet—Lift Cable Drum		
36627	Ratchet—Carriage Tape Drive Gear See Assembly No. 68026		
36628	Ratchet—Carriage Tape Shaft		
RINGS			
36705	Ring—Pile Safety Ratchet		
RODS			
36817	Rod—Sheet Detainer Connection (used with 12635)		
36818	Rod—Sheet Detainer Connection (used with 12636)		
36838	Rod—Pedal Guide		
36839	Rod—Abutment Piece See Assembly No. 86841		
36840	Rod—Vibrator Roll Arm Tie		
36842	Rod—Rear Sheet Band Support—Upper		
36843	Rod—Rear Sheet Band Support—Lower		
36845	Rod—Suction Tube Lever		
36846	Rod—Conveyor Frame Tie		
36847	Rod—Paper Top Guide See Assembly No. 70852		
36848	Rod—Feed Board Brace		
36849	Rod—Tape Frame Tie		
36850	Rod—Shoofly Finger See Assembly No. 86844		
36852	Rod—Side Jogger—Short See Assembly Nos. 58518, 58519		
36853	Rod—Side Jogger—Long See Assembly No. 58520		
36854	Rod—Blast Adjusting		
36855	Rod—End Jogger		
36861	Rod—Drop Guide Connection (used with 12633)		
36862	Rod—Stripper Finger Connection (used with 12634)		
36864	Rod—Ink Fountain Connection (used with 12631)		

To order for motor—give name plate reading.

W. M. No.	Name of Part	W. M. No.	Name of Part
SHAFTS			
38049	Shaft—Idle Pulley	38133	Shaft—Sheet Stop
38080	Shaft—Bed Driving	38134	Shaft—Delivery Operating Lever
38082	Shaft—Impression	38135	Shaft—Carriage Connection
38083	Shaft—Impression Cam Lever	38136	Shaft—Jogger Rod Lever
38084	Shaft—Impression Throw-off	38137	Shaft—Delivery Cable Worm
38086	Shaft—Handwheel	38138	Shaft—Delivery Cable Drum
38087	Shaft—26" Gear F. E.	38140	Shaft—Carriage Tape
38088	Shaft—26" Gear D. E.	38141	Shaft—Crank Shaft
38089	Shaft—Fountain Cam Lever	38142	Shaft—Drive Pulley
38090	Shaft—Fountain Ratchet Reg.	38144	Shaft—Cable Drum
38091	Shaft—Fountain Ratchet	38145	Shaft—Gripper sold with gripper tumble 91910 See Assembly [No. 88418
38092	Shaft—Ductor Cam Lever	38146	Shaft—Long Idle Pulley
38093	Shaft—Ductor Roll Arm		
38094	Shaft—Ink Mechanism Drive		
38095	Shaft—Vibrator Roll Arm	39015	SHELLS
38096	Shaft—Vibrator Roll Arm Lock	39016	Shell—Ink Fountain Roll See Assembly No. 87531
38098	Shaft—Fountain Trip	39017	Shell—Ductor Rider Roll See Assembly No. 88443
38099	Shaft—Cylinder See Assembly No. 63825	39018	Shell—Ink Drum See Assembly No. 64324
38100	Shaft—Packing Winding See Assembly No. 88416	39019	Shell—Vibrator Roll—Large See Assembly No. 87533
38101	Shaft—Packing Clamp See Assembly No. 88417	39020	Shell—Vibrator Roll—Small See Assembly No. 87535
38102	Shaft—Tumbler Operating	39022	Shell—Delivery Tape Drive Drum See Assembly No. 64326
38104	Shaft—Shoofty Cam Lever See Assembly No. 88446		Shell—Form Roll See Assembly No. 88444
38105	Shaft—Drop Guide		
38106	Shaft—Stripper Finger		
38107	Shaft—Margin Roll Arm		
38108	Shaft—Delivery Roll		
38109	Shaft—Delivery Tape Drive		
38110	Shaft—Pile Table Sprocket	39310	Shoe—Track
38111	Shaft—Pile Feed Ratchet	39311	Shoe—Bed Roller See Assembly No. 57505
38112	Shaft—Pile Table Worm	39312	Shoe—Cable Brake See Assembly No. 89305, 89306
38113	Shaft—Height Gauge		
38114	Shaft—Suction Wheel		
39115	Shaft—Mouthpiece Valve		
38116	Shaft—Suction Tube Cam Lever	39520	Sleeve—Shoofty Shaft Bearing See Assembly No. 89510
38118	Shaft—Conveyor Belt Pulley		
38119	Shaft—Conveyor Tightener Arm		
38121	Shaft—Conveyor Tension Feed Roll Pulley	39610	SLEEVES
38122	Shaft—Conveyor Tension Feed Roll Arm	39611	Sprocket—Pile Table
38123	Shaft—Conveyor Cam	39612	Sprocket—Feeder Drive
38124	Shaft—Slow-down Cam Lever	39613	Sprocket—Feeder
38126	Shaft—Sheet Detainer		Sprocket—Feeder Chain Tightener
38127	Shaft—Sheet Detector Lever		
38129	Shaft—Del. Tape Idle Pulley See Assembly No. 55068	39820	STEMS
38130	Shaft—Top Band Drive Pulley	39821	Stem—Plunger Bracket
38132	Shaft—Carriage Tape Idle	39822	Stem—Drop Guide See Assembly No. 70850
			Stem—Caliper Finger Screw (Also see 2405)

Order for part for which it is intended

SHIMS

SHOES

SLEEVES

SPROCKET

STEMS

W. M. No.	Name of Part	W. M. No.	Name of Part
40205	Spacer—Slider	43803	TUBES—Continued Tube—Cylinder Oil Cup See Assembly No. 99640
41110	Tie—Crosshead See Assembly No. 67025	43804	Tube—Del. Operating Connection Oil
	TIE	43805	Tube—Drive Bracket Grease
	TONGUE	43808	Tube—Drive Bracket Grease
41310	Tongue—Crumpled Detector Finger See Assembly No. 66028	43809	Tube—Oil Pipe
41311	Tongue—Drop Guide See Assembly No. 71231		VALVES AND VALVE PARTS
	TUMBLERS	45004	Relieve Valve Body See Assembly No. 95002
41905	Tumbler—Gripper See Assembly No. 88418	45005	Relieve Valve Bonnet See Assembly No. 95002
	TOOLS	45006	Relieve Valve See Assembly No. 95002
42000	Oil Can See Assembly No. 92005	45013	Blast Regulating Valve Body See Assembly No. 95006
42001	Screw Driver See Assembly No. 92005	45014	Blast Regulating Valve See Assembly Nos. 95005, 95006
42002	Screw Driver See Assembly No. 92005	45020	Air Cylinder Valve See Assembly No. 95025
42003	Pin Wrench See Assembly No. 92005	45021	Mouthpiece Valve
42004	Pin Wrench See Assembly No. 92005		WEDGES
42005	Wrench—Shoofly See Assembly No. 92005	46010	Wedge—Pack
42006	Wrench—Gripper See Assembly No. 92005		WHEELS
42007	Wrench—Hex. Head See Assembly No. 92005	46102	Wheel—Star See Assembly Nos. 56150, 66030
42008	Wrench—Hex. Head See Assembly No. 92005	46112	Wheel—Suction
42009	Wrench—Hex. Head See Assembly No. 92005	46141	Wheel—Worm Shaft Hand See Assembly No. 96141
42010	Wrench—Hex. Head See Assembly No. 92005	46152	Wheel—Hand
42011	Wrench—Monkey See Assembly No. 92005		WINGS
42013	Wrench—Set Screw See Assembly No. 92005	46501	Wing—Paper Top Guide See Assembly No. 70854
42021	Dead Line Gauge	46510	Wing—Delivery See Assembly No. 96525
	TRACKS		
43015	Track—Feeder Side—Outer		
43016	Track—Gear Side—Outer	47024	Base
43017	Track—Feeder Side—Inner	47027	Feed Board Center Section
43018	Track—Gear Side—Inner	47028	Feed Board Batten
43020	Track—Carriage	47029	Platform Board
	TUBES	47030	Drawer Stop
43622	Tube—Height Gauge See Assembly No. 93610	47031	Drawer Cleat
43623	Tube—Suction See Assembly Nos. 67028, 67029, 67030, 67031	47032	Drawer (comes with 21033 and 49780)
43624	Tube—Inlet	47033	Pile Table Board See Assembly No. 58515
43625	Tube—Outlet—Air Head	47034	Pile Table Front Strip See Assembly No. 58515
43626	Tube—Air Cylinder See Assembly No. 63830	47035	Pile Table Board Block See Assembly No. 58515
		47036	Make-ready Board See Assembly No. 58521
			WOODEN PARTS

W. M. No.	Name of Part	W. M. No.	Name of Part		
50105	CYLINDER COMPLETE	50105	CYLINDER COMPLETE—Continued		
				1580 Taper Pin	88416 Packing Winding Shaft
				13851 Cylinder Body	1797 Fil. Head Screw
				38099 Shaft	3051 Stud
				583 Dowel	33021 Pawl
				2224 Screw	33387 Keeper Plate
				21537 Cylinder Head F. S.	88417 Packing Clamp Shaft
				21538 Cylinder Head G. S.	Packing Clamp (See 61816)
				7038 Gripper Shaft Center Bearing	88418 Gripper Shaft
				535 Dowel	147 Bushing
				1799 Fil. Head Screw	155 Bushing
				1950 Hex. Head Screw	423 Sleeve
				34814 Felt Pad	88446 Shoofly Cam Lever Shaft
				39235 Shim	89510 Shoofly Bearing Sleeve
				7046 Shoofly Shaft Bearing	MARGIN ROLL ARM (Feeder Side, right-hand)
				1760 Fil. Head Screw	
				2256 Headless Set Screw	
				8043 Gripper Tumbler Stop Block	
				557 Dowel	5077 Margin Roll Arm
				1958 Hex. Head Screw	2566 Thumbcrew
18925 Register Segment Gear	MARGIN ROLL ARM (Feeder Side, left-hand) Parts same as 55054				
582 Dowel					
2021 Hex. Head Screw	DELIVERY TENSION ROLL ARM				
61816 Packing Clamp					
4303 Packing Pins					
2291 Set Screw	4790 Delivery Tension Roll				
66026 Shoofly Finger					
68023 Cylinder Gear	1004 Hex. Nut				
525 Dowel	3125 Stud				
939 Key	5078 Tension Roll Arm				
70010 Gripper Assembled	HEIGHT GAUGE ARM				
86843 Gripper Spring Rod Assembly					
4560 Washer					
1958 Hex. Head Screw					
2878 Gripper Spring (Inner)	16021 Height Gauge Finger				
2884 Gripper Spring (Outer)	2552 Thumbcrew				
20832 Rod Guide	21562 Arm Head				
86844 Shoofly Finger Rod	93610 Height Gauge Tube				
1012 Hex. Nut	1503 Taper Pin				
1355 Spring Rod	CONVEYOR BELT TIGHTENER ARM				
1636 Stop Pin					
2830 Spring					
Shoofly Bearing Sleeve (See 89510)					
55060		5079 Tightener Arm			
		84228 Tightener Pulley Assembly			
		3067 Stud			
		1008 Hex. Nut			

W. M. No.	Name of Part	W. M. No.	Name of Part
55068	DELIVERY TAPE IDLER ARM 5085 Tape Idler Arm 2321 Set Screw 34239 Tape Idler Pulley 38129 Idler Pulley Shaft 1106 Cotter Pin	56355	BRUSH BACK BAR 6355 Bar 1781 Fillister Head Screw 21555 Bar Head 2404 Screw 59505 Brush (Filled) 1915 Flat Head Screws
56150	CYLINDER REAR SHEET BAND 1326 Pin 6110 Band 46102 Star Wheel	56375	PULL GUIDE MOUNTING BAR 6374 Mounting Bar 1600 Threaded Pin 8034 Abutment Block 33405 Gib Plate 3714 Rivets
56351	SEGMENT RACK BAR F. E. & D. E. 141 Bushing 6351 Bar	56381	CARRIAGE TAPE IDLER BAR—COMPLETE 1942 Hex. Head Screws 4563 Washer 11817 Clamp (Upper) 11818 Clamp (Lower) 56380 Bar 1st Assembly 6380 Idler Bar 34239 Idler Pulley 38132 Shaft 1716 Button Head Screw
56352	SEGMENT RACK BAR F. E.—COMPLETE 11900 Oil Pipe Clip 1716 Button Head Screw 36051 Segment Rack 1327 Pins 1994 Hex. Head Screws 2421 Adjusting Screw 2422 Adjusting Plug 4605 Washers	56805	BASE FOR PRESS 2182 Lag Screws 4592 Washers 9205 Brkt. F. E. 9206 Brkt. D. E. 47024 Base
56353	SEGMENT RACK BAR D. E.—COMPLETE 11900 Oil Pipe Clip 1716 Button Head Screw Oil Tube 36051 Segment Rack 1327 Pin 1994 Hex. Head Screw 2421 Adjusting Screw 2422 Adjusting Plug 4605 Washer	57505	TYPE BED 2208 Round Head Screw 7505 Type Bed 39311 Bed Roller Shoe
56354	SHEET BAND BAR 3716 Rivet 6111 Front Band 6354 Bar	57911	INK FOUNTAIN BLADE—COMPLETE 1775 Screw 33412 Stop 57910 Blade (1st Assm.) 3713 Rivets 7901 Blade 33384 Backing Plate

THE NUMBER TWO KELLY AUTOMATIC PRESS BOOK OF PARTS—ASSEMBLIES

W.M.No.	Name of Part	W.M.No.	Name of Part
58010	BUNTER BLOCK 1151 Plug 2504 Thumbscrew 2805 Spring 8023 Block 33363 Spring Plate	58521	MAKE-READY BOARD 3705 Rivets 22112 Hooks 47036 Board
58011	BUNTER BLOCK (HEAVY SPRING) 1151 Plug 2504 Thumbscrew 2806 Spring 8023 Block 33363 Spring Plate	59013	REGISTER PLATE BRACKET ASSEMBLY 401 Spacing Tube 2134 Knurled Adjusting Screw 2701 Brass Shoe 2424 Reg. Plate Adjusting Screw 4306 Reg. Plate Alignment Pin 4400 Reg. Plate Support Pin 450 Collar 1050 Nut 1279 Straight Pin 2867 Spring 9036 Reg. Plate Bracket 10110 Pull Guide Finger Cam 20136 Side Guide Guard F. S. 20137 Side Guide Guard G. S. 33427 Register Plate
58015	CRANK BLOCK 8030 Block 34817 Felt Pad Copper Wire No. 20 (.032) Gauge	59115	TENSION BRACKET F. S. 4762 Tension Roll 3019 Stud 5083 Tension Roll Arm 3030 Stud 9150 Bracket F. S. 2143 Knurled Screw
58515	PILE TABLE BOARD 2626 Wood Screws 2628 Wood Screws 47033 Board 47034 Front Strip 47035 Block	59116	TENSION BRACKET G. S. 4762 Tension Roll 3019 Stud 5083 Tension Roll Arm 3030 Stud 9151 Bracket G. S. 2143 Knurled Screw
58518	SIDE JOGGER BOARD F. S. 1906 Screws 21553 Head 36852 Side Jogger Rod 47040 Board	59117	CORNER HOLD-DOWN FINGER BRACKET 9154 Bracket 1716 Button Head Screw 2503 Thumbscrew 16060 Hold-down Finger 1101 Cotter Pin 2139 Adjusting Screw 4232 Hinge Pin
58519	SIDE JOGGER BOARD G. S. 1906 Screw 21553 Head 36852 Side Jogger Rod 47041 Board		
58520	SIDE JOGGER BOARD (SHORT) 1906 Screw 21553 Head 36853 Side Jogger Rod 47042 Board		

THE NUMBER TWO KELLY AUTOMATIC PRESS BOOK OF PARTS—ASSEMBLIES

W. M. No.	Name of Part	W. M. No.	Name of Part
59122	SLOW-DOWN FINGER BRACKET F. S.	59123	SLOW-DOWN FINGER BRACKET G. S.—Continued
9161	Slow-down Finger Bracket	34005	Sheet Det. Plunger
16058	Slow-down Finger Stud	338	Brush
20837	Top Guide	1101	Cotter Pin
1051	Knurled Nut	1291	Plunger Locating Pin
1101	Cotter Pin	2859	Plunger Spring
1105	Cotter Pin	3802	Roller Pin
1708	Button Head Screw	4751	Roller
2381	Adjusting Screw	59125	SLOW-DOWN BRUSH BRACKET F. S.
21549	Sliding Head	2136	Knurled Screw
33402	Sliding Head Plate	3010	Stud
1759	Fil. Head Screw	9164	Bracket F. S.
2391	Adj. Screw	59508	Brush (Filled)
33403	Bracket Plate	59126	SLOW-DOWN BRUSH BRACKET G. S.
1760	Fillister Head Screw	2136	Knurled Head Screw
34005	Sheet Det. Plunger	3010	Stud
338	Bushing	9165	Bracket G. S.
1101	Cotter Pin	59508	Brush (Filled)
1291	Plunger Locating Pin	59130	FEED BOARD STAR WHEEL FINGER BRACKET
2859	Plunger Spring	1708	Screws
3802	Roller Pin	21510	Bracket
4751	Roller	66030	Finger
59123	SLOW-DOWN FINGER BRACKET G. S.	59505	CYLINDER BRUSH
9162	Slow-down Finger Bracket	6036	Brush Back (Filled)
2512	Thumbscrew	59508	SLOW-DOWN BRUSH
16058	Slow-down Finger Stud	21550	Brush (Filled)
20837	Top Guide	60010	DELIVERY CABLE (LONG)
1051	Knurled Nut	10006	Cable
1101	Cotter Pin	49890	Shackle
1105	Cotter Pin	60015	DELIVERY CABLE (SHORT)
1708	Button Head Screw	10007	Cable
2381	Adjusting Screw	49890	Shackle
21549	Sliding Head	59125	SLOW-DOWN BRUSH BRACKET F. S.
2844	Spring	2136	Knurled Screw
33402	Sliding Head Plate	3010	Stud
1759	Fil. Head Screw	9164	Bracket F. S.
2391	Adj. Screw	59508	Brush (Filled)
33403	Bracket Plate	59126	SLOW-DOWN BRUSH BRACKET G. S.
1760	Fil. Head Screw	2136	Knurled Head Screw

W. M. No.	Name of Part	W. M. No.	Name of Part
61801	2511 Thumbscrew 11810 Clamp 33365 Plate CONVEYOR BELT CLAMP	66028	16055 Finger 41310 Tongue CRUMPLED SHEET DETECTOR FINGER
61816	1732 Fil. Head Screw 11816 Packing Clamp PACKING CLAMP	66029	9163 Finger Bracket 2511 Thumbscrew 16059 Sheet Detainer Finger SHEET DETAINER FINGER
63830	3734 Round Head Rivet 21534 Air Cylinder Head 43626 Air Cylinder Tube AIR CYLINDER ASSEMBLY	66030	1326 Pin 16061 Finger 46102 Star Wheel FEED BOARD STAR WHEEL FINGER
64010	9157 Bracket 26015 Latch 1101 Cotter Pin 1159 Spring Plug 2814 Spring 4232 Hinge Pin 66028 Finger 1716 Button Head Screw 72205 Hook Assembly 1101 Cotter Pin 4232 Hinge Pin CRUMPLED SHEET DETECTOR	66031	2511 Screw 3730 Rivet 16062 Finger 21551 Head SHEET STOP FINGER
64012	16056 Finger 1101 Cotter Pin 4236 Pin 27144 Lever 1942 Hex. Head Screw SHEET DETECTOR	66032	2506 Screw 16063 Finger SHEET REST FINGER
64324	525 Dowel 21315 Head F. S. 21316 Head G. S. 39017 Shell INK DRUM	66033	2511 Screw 16064 Finger END JOGGER FINGER
66026	501 Dowel 1728 Screw 16051 Finger 22618 Hub SHOOFLY FINGER	66034	2511 Screw 16065 Finger DELIVERY PILE FINGER
66027	2566 Thumbscrew 22619 Hub 36844 Rod STRIPPER FINGER	67025	381 Spacing Collar 535 Dowel Pin 2044 Hex. Head Screw 8031 Spacing Block 17031 Frame 39212 Shim 39213 Shim 39214 Shim 39215 Shim 39216 Shim 39217 Shim 41110 Frame Tie 58015 Crank Block Assembly CROSSHEAD FRAME

W.M.No.	Name of Part	W.M.No.	Name of Part
67028	SUCTION TUBE FRAME—OUTTER F. S. 8038 Lever Block 1182 Spring Pin 2910 Spring 17034 Frame 1184 Spring Pin 1304 Stop Pin 1412 Plug 43623 Suction Tube 1004 Hex. Nut 4339 Holdup Pin 43624 Inlet Tube	67031	SUCTION TUBE FRAME—INNER G. S.—Continued 17037 Frame 1184 Spring Pin 1304 Stop Pin 1412 Plug 43623 Suction Tube 1004 Hex. Nut 4339 Holdup Pin 43624 Inlet Tube
67029	SUCTION TUBE FRAME—OUTTER G. S. 8038 Lever Block 1182 Spring Pin 2910 Spring 17035 Frame 1184 Spring Pin 1304 Stop Pin 1412 Plug 43623 Suction Tube 1004 Hex. Nut 4339 Holdup Pin 43624 Inlet Tube	68023	CYLINDER GEAR ASSEMBLY 18160 Ring Gear 583 Dowel 2021 Hex. Head Screw 4614 Washer 18161 Spring Gear 2885 Spring 22617 Gear Hub 1913 Flat Head Screw 4630 Spring Gear Washer 33423 Spring Gear Stop Plate 1017 Check Nut 3465 Stud
67030	SUCTION TUBE FRAME—INNER F. S. 8038 Lever Block 1182 Spring Pin 2910 Spring 17036 Frame 1184 Spring Pin 1304 Stop Pin 1412 Plug 43623 Suction Tube 1004 Hex. Nut 4339 Holdup Pin 43624 Inlet Tube	68026	CARRIAGE TAPE DRIVING GEAR 522 Dowel 18369 Gear 36627 Ratchet
67031	SUCTION TUBE FRAME—INNER G. S. 8038 Lever Block 1182 Spring Pin 2910 Spring	68027	DRIVING PINION (For Presses equipped with front long drive) Pin Blank 22624 Hub 33419 Plate
		68028	PRESS DRIVING PINION (For Presses equipped with rear long drive) Parts same as 68027
		68029	DELIVERY DRIVING GEAR 3486 Gear Stud 4549 Stud Head—Gear End 514 Dowel 1777 Fillister Head Screws 4597 Stud Head—Bracket End 1990 Hex. Head Screw 18105 Driving Gear 49665 Oil Hole Cover

W. M. No.	Name of Part	W. M. No.	Name of Part
70010	CYLINDER GRIPPER— $\frac{7}{8}$ " Shaft 958 Shoe (Key) 2319 Set Screw 20007 Finger	70856	SNAP GUIDE ASSEMBLY 4121 Spring Rods 1101 Cotter Pins 2809 Springs 4302 Hinge Pins 5088 Spring Rod Arms 1374 Hinge Pin 1500 Taper Pins
70011	CYLINDER GRIPPER— $\frac{3}{4}$ " Shaft 956 Shoe (Key) 2320 Set Screw 20003 Gripper	70859	FRAME 17043 Frame 1752 Fil. Head Screw 20011 Grippers 1504 Taper Pins 20843 Spring Rod Guide 33404 Side Register Adjusting Plate 1053 Clamp Post Nut 2313 Binding Screw 2380 Adjusting Screw 3541 Adjusting Binding Post
70850	DROP GUIDE 5076 Drop Guide Arm 2578 Thumbscrew 20833 Top Guide 33389 Plate 1759 Fil. Head Screw 4525 Washer 39821 Drop Guide Stem 965 Key 2856 Spring 3714 Rivet 88015 Adjusting Screw 2137 Knurled Screw	72015	PULL GUIDE 403 Tubular Rivet 1058 Finger Adjusting Nut 2395 Adjusting Screw 2811 Spring 2825 Adjusting Nut Spring 3301 Stud 4507 Washer 5017 Finger Arm 9037 Bracket 2148 Knurled Head Screw 16011 Finger R. H. 16012 Finger L. H. 33375 Plate 1878 Screws
70851	PACK TOP GUIDE 2560 Thumbscrew 6363 Guide Bar 21544 Pile Top Guide Head	71231	DROP GUIDE TONGUE HEAD 1708 Button Head Screws 21509 Tongue Head 41311 Drop Guide Tongue 66630 Star Wheel Fingers
70852	PAPER TOP GUIDE 21548 Head 36947 Guide Rod Nickel Plate then add Thumbscrew WM2506	72015	$\frac{1}{2}$ " BALL HOLDER 117 Bushing 1108 Cotter Pin 2139 Knurled Screw 6000 $\frac{1}{2}$ " Ball 22012 Holder
70854	PAPER TOP WING GUIDES 1279 Rivets 2506 Screw 3737 Rivets 6388 Bar 21558 Head 46501 Wing		

THE NUMBER TWO KELLY AUTOMATIC PRESS BOOK OF PARTS--ASSEMBLIES

W.M.No.	Name of Part	W.M.No.	Name of Part
72016	5/8" BALL HOLDER F. S. 118 Bushing 1108 Cotter Pin 2139 Knurled Screw 6001 5/8" Ball 22010 Holder	77080	VIBRATOR ROLL ARM HANDLE LEVER 1416 Pin 21026 Handle 27116 Lever
72017	5/8" BALL HOLDER G. S. 118 Bushing 1108 Cotter Pin 2139 Knurled Screw 6001 5/8" Ball 22011 Holder	77081	INK FOUNTAIN TRIP THROW-OFF LEVER 1004 Hex. Nut 3408 Stud 27119 Lever
72018	3/4" BALL HOLDER F. S. 119 Bushing 1108 Cotter Pin 2139 Knurled Screw 6002 3/4" Ball 22010 Holder	77082	GRIPPER SPRING ROD LEVER 3957 Pin 27120 Lever
72019	3/4" BALL HOLDER G. S. 119 Bushing 1108 Cotter Pin 2139 Knurled Screw 6002 3/4" Ball 22011 Holder	77084	SHOOFLY CAM LEVER 337 Bushing 1005 Hex. Nut 1345 Pin 2316 Set Screw 4712 Roll 27124 Lever
72205	CRUMPLED SHEET DETECTOR LATCH HOOK 315 Bushing 22105 Hook	77102	SLOW-DOWN CAM ROLL LEVER 1004 Nut 1193 Spring Pin 2314 Temporary Set Screw 3140 Stud 4712 Cam Roll 27149 Lever
72225	IMPRESSION RELEASE HOOK 1716 Screw 11900 Oil Clip 22114 Hook Oil Tube	77103	SNAP GUIDE OPENING AND CLOSING CAM LEVER 1004 Nut 3140 Stud 4712 Cam Roll 27150 Lever
72226	CARRIAGE CONNECTION HOOKS 1508 Taper Pin 21115 Head 22113 Hook	77104	MOUNTING BAR CONNECTION LEVER F. S. 3937 Pin 27151 Lever
77105	MOUNTING BAR CONNECTION LEVER G. S. 3937 Pin 27152 Lever		

THE NUMBER TWO KELLY AUTOMATIC PRESS BOOK OF PARTS—ASSEMBLIES

W.M.No.	Name of Part	W.M.No.	Name of Part
77113	DELIVERY OPERATING LEVER 2031 Hex. Head Screw 2269 Set Screw 4383 Operating Stud 27157 Lever 90110 Stud For Operating Conn.	86843	GRIPPER SPRING RODS 105 Bushing 13006 Spring Rod
80026	BLAST MOUTHPIECE 12135 Connection 3302 Stud 30006 Blast Mouthpiece 33337 Deflecting Plate 3723 Escutcheon Pin	86844	SHOOFLY FINGER ROD 975 Key 3711 Rivets 36850 Rods
83010	INK FOUNTAIN RATCHET PAWL 1372 Pin 33020 Pawl	86850	ECCENTRIC SPRING ROD F. S. 368 Collar 1519 Taper Pin 13007 Rod
83011	PILE FEED RATCHET PAWL 1370 Pin 33022 Pawl	86851	ECCENTRIC SPRING ROD G. S. 368 Collar 1519 Taper Pin 13008 Rod
84225	PULLEY AND BRONZE BUSHING—Discarded	87531	INK FOUNTAIN ROLL 1576 Taper Pin 20610 Gudgeon F. S. 20611 Gudgeon G. S. 39015 Shell
84226	PULLEY TOP BAND IDLER 144 Bushing 34241 Pulley	87533	VIBRATOR ROLL—LARGE—COMPLETE 2482 Vibrator Screw 219 Bushing 1516 Taper Pin 18400 Vibrator Gear
84227	PULLEY CONVEYOR BELT IDLER 362 Spacing Collar 4587 Washer 34243 Pulley 49624 Ball Bearing	87535	VIBRATOR ROLL—SMALL—COMPLETE 2483 Vibrator Screw 220 Bushing 1516 Taper Pin 18382 Vibrator Gear
84228	CONVEYOR BELT IDLER PULLEY—FLANGED 363 Spacing Collar 4587 Washer 34218 Pulley 49624 Bearing	86841	ABUTMENT PIECE ROD 402 Spacing Tube 33313 Abutment Plate 36839 Rod

THE NUMBER TWO KELLY AUTOMATIC PRESS BOOK OF PARTS—ASSEMBLIES

W. M. No.	Name of Part	W. M. No.	Name of Part
87536	DUCTOR ROLL 88443 Shaft Assembly (with composition)	88418	CYLINDER GRIPPER SHAFT WITH LEVER AND TUMBLER—Continued
87537	FORM ROLLS 88444 Shaft Assembly (with composition)	88443	Spring Rod Lever 1532 Taper Pin 501 Dowel 917 Key 1532 Taper Pin
87538	RIDER ROLLS 88443 Shaft Assembly (with "Duplex" composition)	88444	DUCTOR AND RIDER ROLL SHAFT 20615 Gudgeon 39016 Shell FORM ROLL SHAFTS
88015	DROP GUIDE ADJUSTING SCREW 2398 Screw 21405 Head	88446	SHOOFLY CAM LEVER SHAFT 38104 Shoofly Cam Lever Shaft 77084 Shoofly Cam Lever 1509 Taper Pin
88017	INK FOUNTAIN BLADE SCREW 1960 Screw 4582 Washer	89305	CABLE DRUM BRAKE SHOE F. S. 3932 Pin 39312 Shoe
88416	PACKING WINDING SHAFT 1529 Paper Pin 36616 Ratchet 38100 Shaft	89306	CABLE DRUM BRAKE SHOE G. S. 3932 Pin 39312 Shoe
88417	PACKING CLAMP SHAFT 366 Collar 1519 Taper Pin 5075 Packing Clamp Arm 1530 Taper Pin 10155 Packing Clamp Cam 1104 Cotter Pin 4255 Hinge Pin 38101 Shaft	89510	SHOOFLY BEARING SLEEVE 349 Collar 1113 Cotter Pin 2865 Spring 4413 Pin 39520 Sleeve
88418	CYLINDER GRIPPER SHAFT WITH LEVER AND TUMBLER 38145 Gripper Shaft 3959 Pin 4647 Washer 41905 Tumbler	92005	TOOLS SUPPLIED—COMPLETE 42000 Oil Can 42001 Screw Driver $\frac{7}{32}$ 42002 Screw Driver $\frac{5}{16}$ 42003 Pin Wrench $\frac{1}{4}$ 42004 Pin Wrench $\frac{3}{8}$ 42005 T-Wrench (Shoofly) $\frac{1}{4}$

THE NUMBER TWO KELLY AUTOMATIC PRESS BOOK OF PARTS—ASSEMBLIES

W. M. No.	Name of Part	W. M. No.	Name of Part
92005	TOOLS SUPPLIED—COMPLETE—Continued	95005	AIR REGULATING VALVE
	42006 T-Wrench (Gripper) $\frac{5}{16}$		1104 Cotter Pin
	42007 Hex. Head Screw Wrench $\frac{3}{16}$ x $\frac{1}{4}$		2845 Spring
	42008 Hex. Head Screw Wrench $\frac{5}{16}$ x $\frac{3}{8}$		3729 Rivet
	42009 Hex. Head Screw Wrench $\frac{7}{16}$ x $\frac{1}{2}$		4524 Washer
	42010 Hex. Head Screw Wrench $\frac{9}{8}$ x $\frac{3}{4}$		45011 Valve Body
	42011 12" Monkey Wrench		45014 Valve
	42013 Set Screw Wrench $\frac{5}{16}$ x $\frac{3}{8}$	95006	BLAST REGULATING VALVE
	42021 Dead Line Gauge		1104 Cotter Pin
	61801 Conveyor Belt Clamp Assembly		2845 Spring
93211	DELIVERY TRUCK—FINAL ASSEM. (PURCHASED)	95025	AIR CYLINDER VALVE
	15500 Handle Eye		3701 Rivet
	49660 Stationary Caster		4519 Washer
	49661 Swivel Caster		45020 Valve
	93210 Truck 1st Assembly		
	47037 Board		WORM SHAFT HANDWHEEL
	47038 Batten		21028 Handle
	47039 Strip		46141 Handwheel
	Wood Screws	96141	
93610	HEIGHT GAUGE TUBE	96525	DELIVERY WING
	1281 Pin		2567 Thumbscrew
	4370 Plug		11018 Cap
	43622 Tube		46510 Wing
95002	RELIEF VALVE	99640	CYLINDER OIL CUP ASSEMBLY
	2438 Adjusting Screw		43808 Cylinder Oil Cup Tube
	2506 Set Screw		49672 Cylinder Oil Cup
	2706 Brass Shoe	99650	FEED BOARD AUXILIARY TAPE
	2864 Spring		7622 Tape
	45004 Valve Body		49640 Buckle
	45005 Bonnet		
	45006 Valve		