

2768

PARTS MANUAL
FOR **D** SERIES
KLUGE PRESSES

12-9-82 → SERIAL # 2EHD - 135925
PHONE # 1-715-483-3265
CONTACT = KEN (CUSTOMER SERVICE)

NOTE: SEVERAL PART NOS. HAVE BEEN
CHANGED AS OF 1/82. SEE CORRECTIONS
ON PICTORIALS. - (SEE COPY OF P.O. INSIDE)

SIZE = 12x18

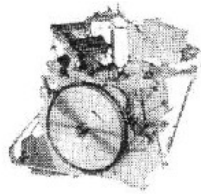


BRANDTJEN & KLUGE, Inc.
Manufacturers of
KLUGE Automatic Platen Press Equipment
S. W. Corner Gaultier Street at Como Avenue
SAINT PAUL 3 MINNESOTA

Parts Manual

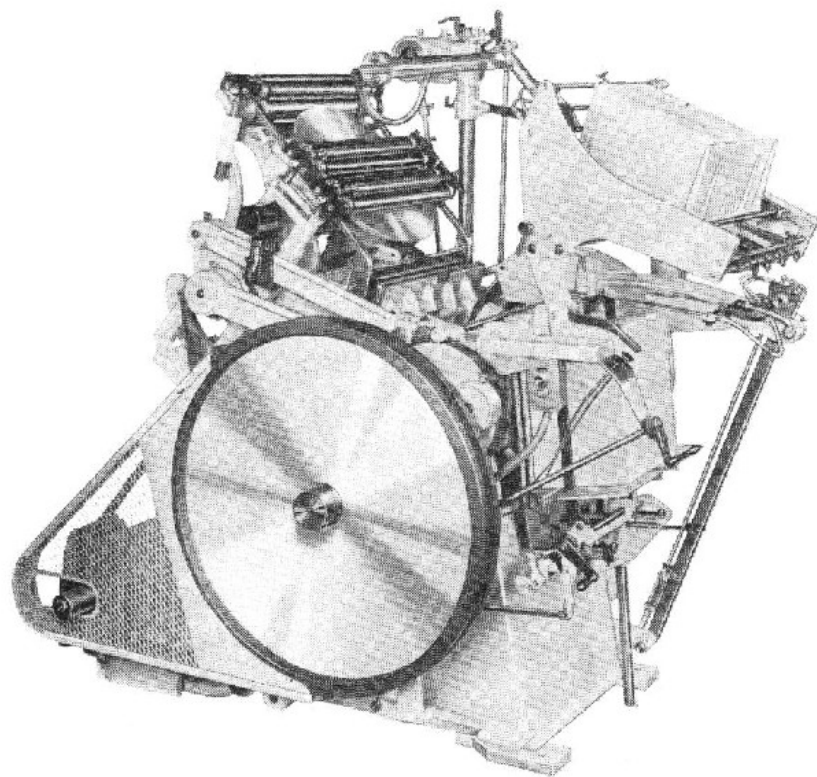
D Series Kluge

Automatic Press



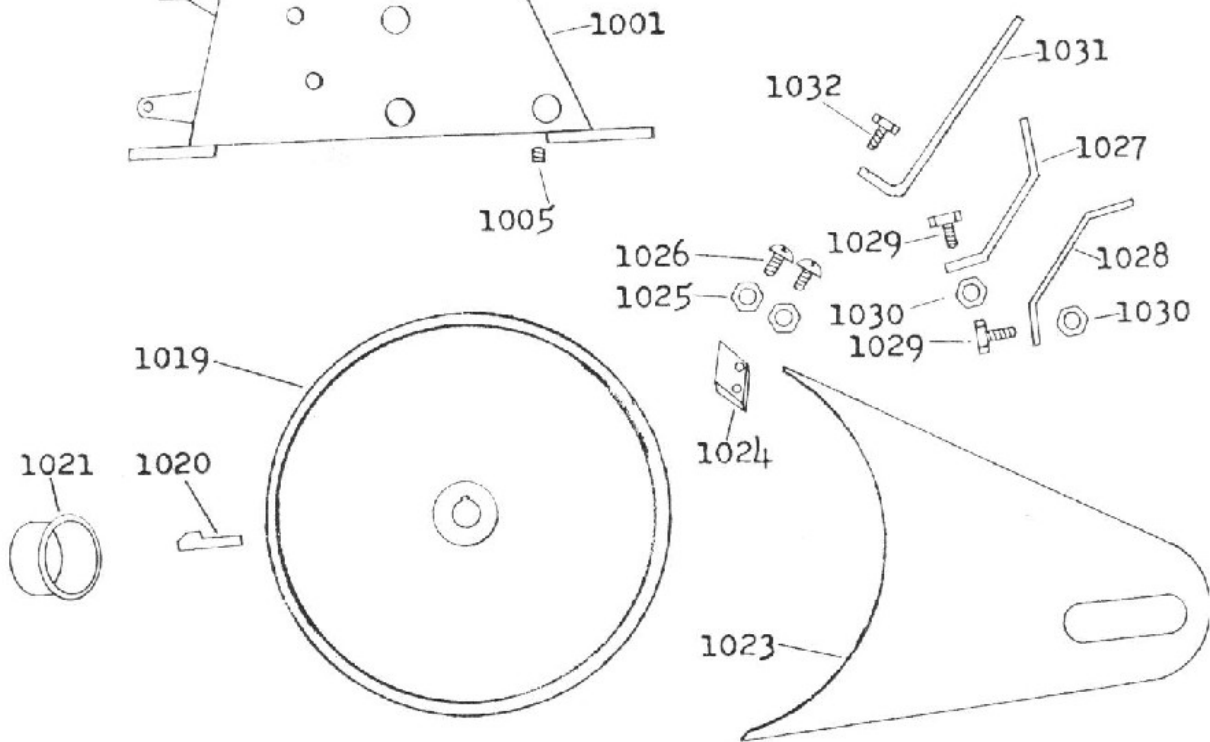
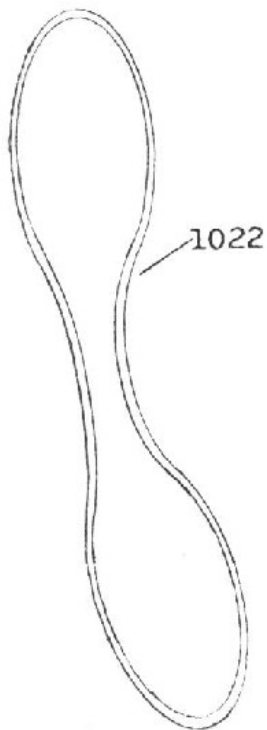
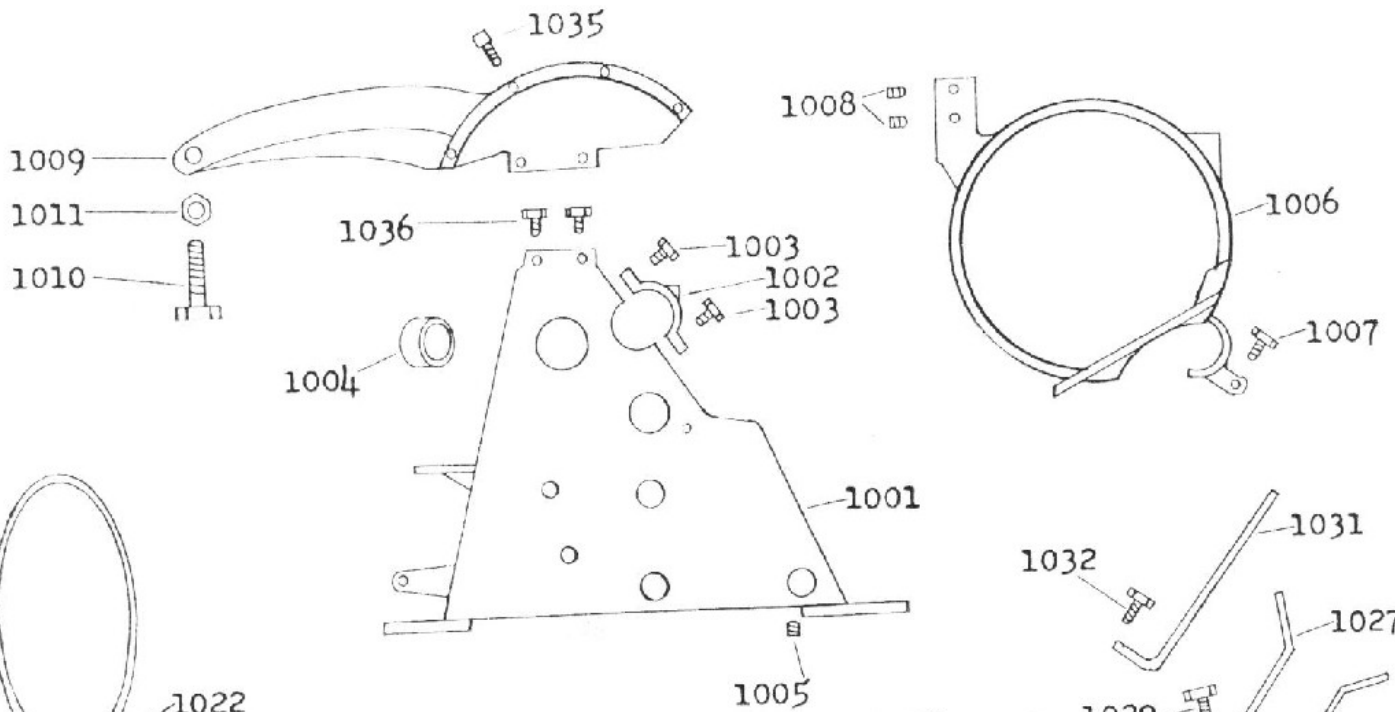
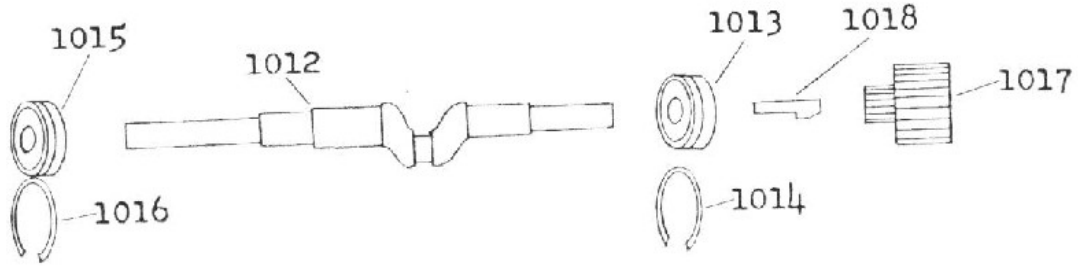
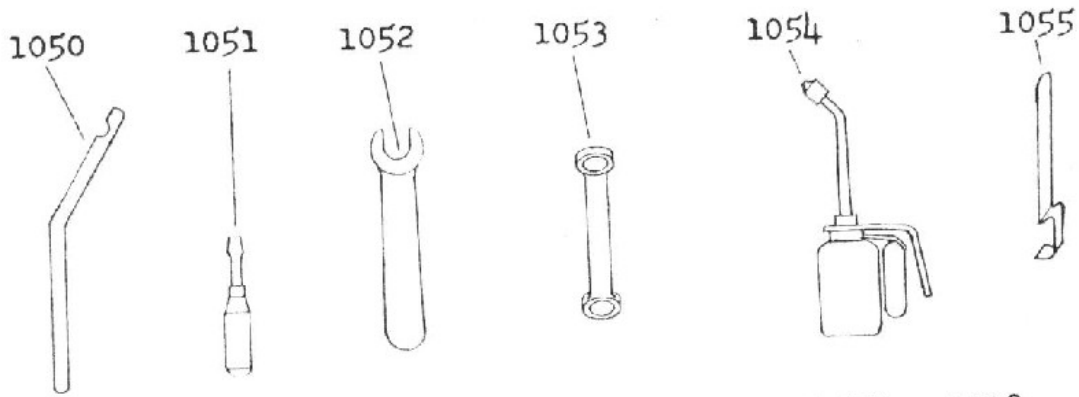
Manufactured by
Brandtjen & Kluge, Inc.
St. Paul 3, Minnesota, U. S. A.

BRANCHES
Atlanta Chicago Dallas Detroit
Los Angeles New York San Francisco



For Your Information

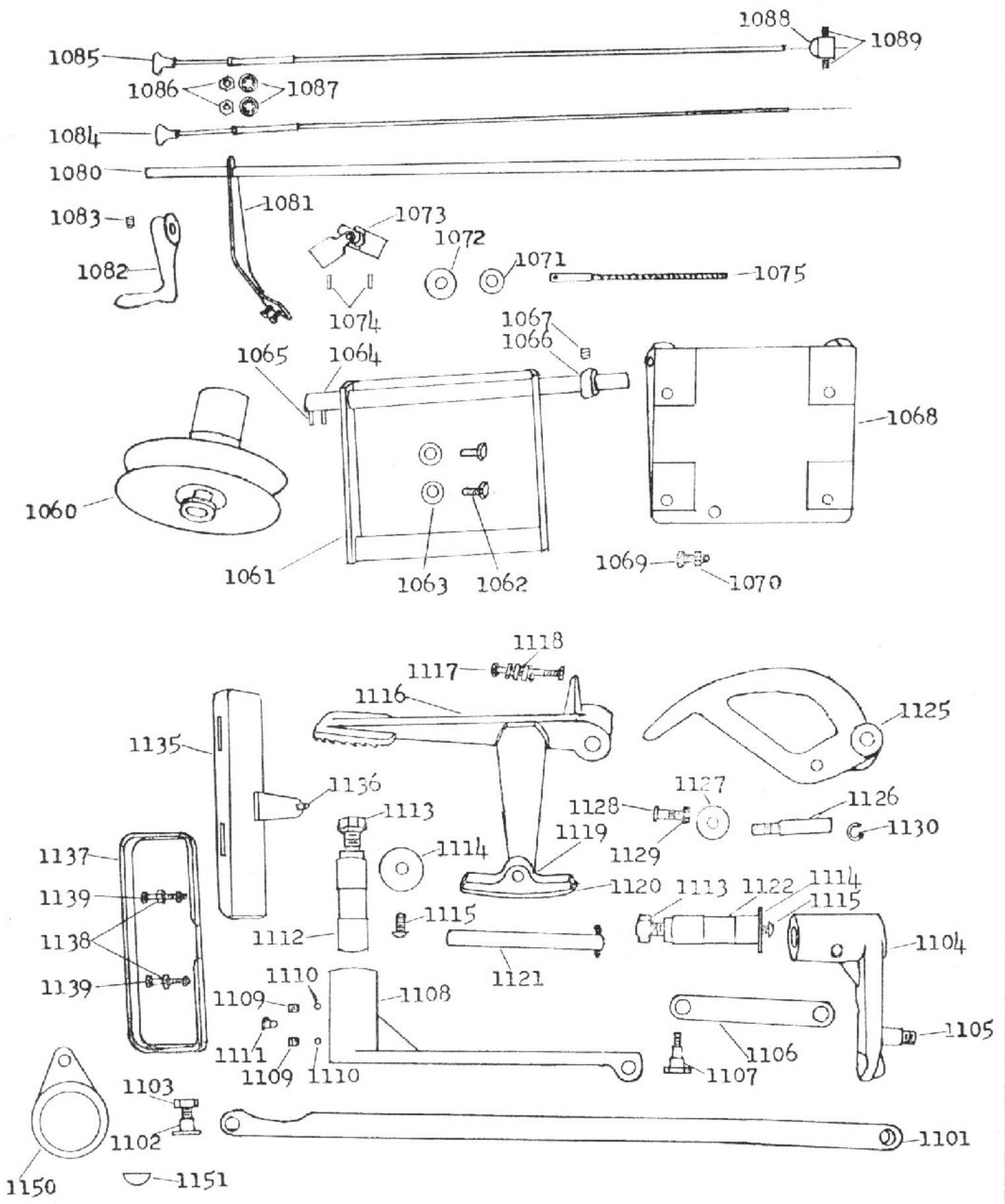
In order to avoid the possibility of error and confusion, this parts book has been compiled on the simplest possible lines, and if users will co-operate, when ordering parts, by always mentioning the Size of the Press and its Serial Number, we can guarantee prompt and correct service.



MAIN FRAME ASSEMBLY

Part Number	Description
1001	Frame Unit
1002	Rocker Cap
1003	Hex Head Cap Screw
1004	Main Shaft Bushing
1005	Bed Shaft Set Screw
1006	Gear Guard
1007	Hex Head Cap Screw
1008	Allen Head Set Screw
1009	Gear Guard Bracket Casting
1010	Hex Head Cap Screw
1011	Hex Nut
1012	Crankshaft
1013	Crankshaft Ball Bearing, Pinion End
1014	Crankshaft Ball Bearing Lock Ring
1015	Crankshaft Ball Bearing Fly Wheel End
1016	Crankshaft Ball Bearing Lock Ring
1017	Pinion Gear
1018	Pinion Key
1019	Fly Wheel
1020	Fly Wheel Key
1021	Fly Wheel Hub Cap
1022	Belt
1023	Belt & Pulley Guard
1024	Belt & Pulley Guard Leather
1025	Hex Nut
1026	Round Head Machine Screw
1027	Lower Rear Belt & Pulley Guard Bracket
1028	Lower Front Belt & Pulley Guard Bracket
1029	Hex Head Cap Screw
1030	Hex Nut
1031	Upper Belt & Pulley Guard Bracket
1032	Hex Head Cap Screw
1035	Allen Head Cap Screw
1036	Hex Head Cap Screw
1050	Saddle Lifter
1051	Screw Driver
1052	Platen Wrench
1053	Gripper Wrench
1054	Oil Can
1055	Tympan Bale Wrench

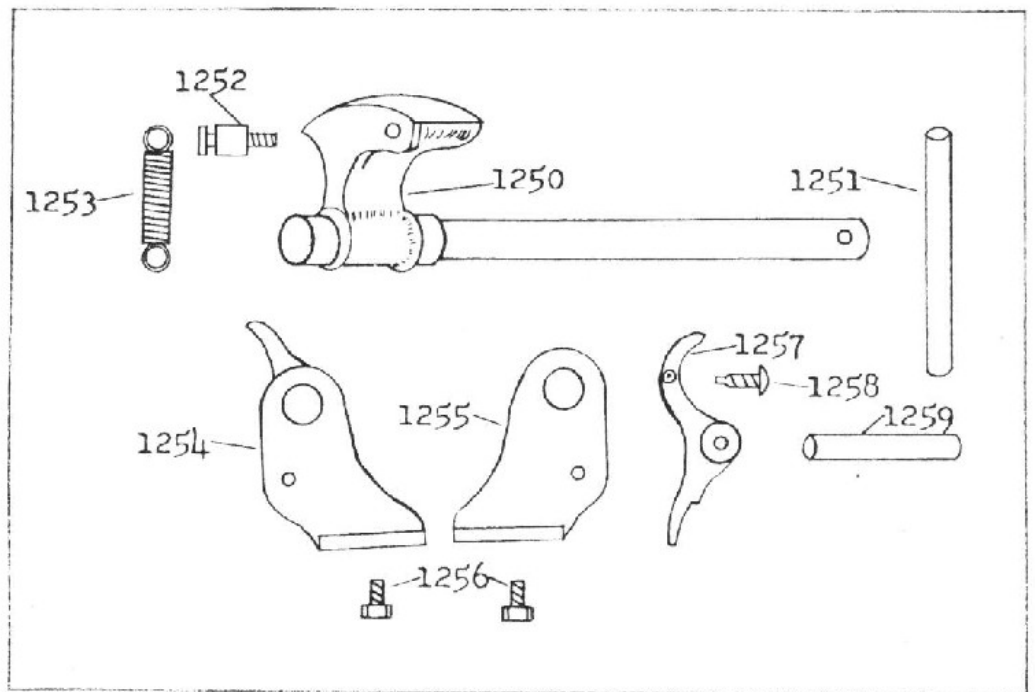
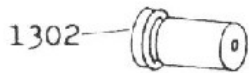
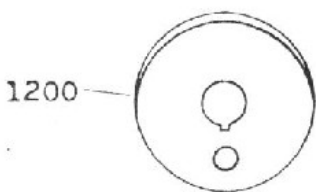
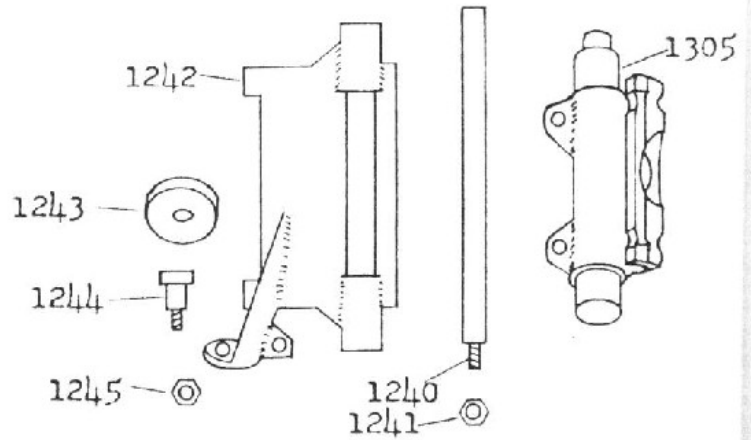
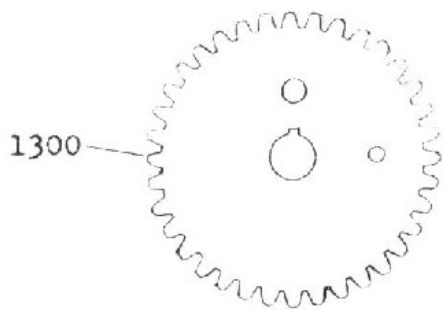
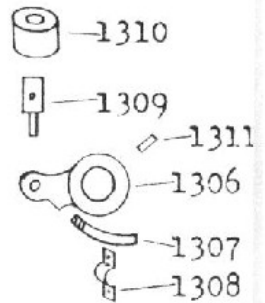
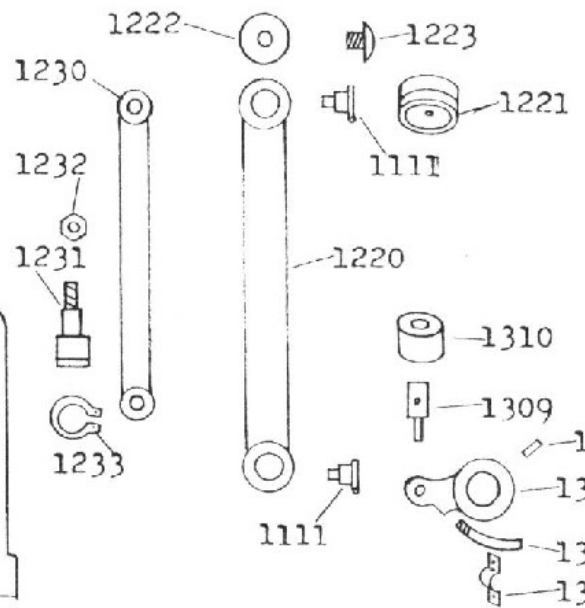
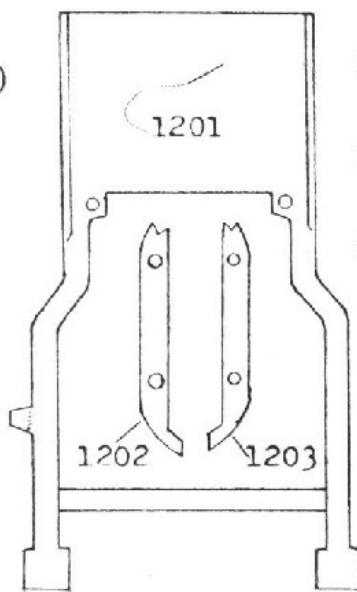
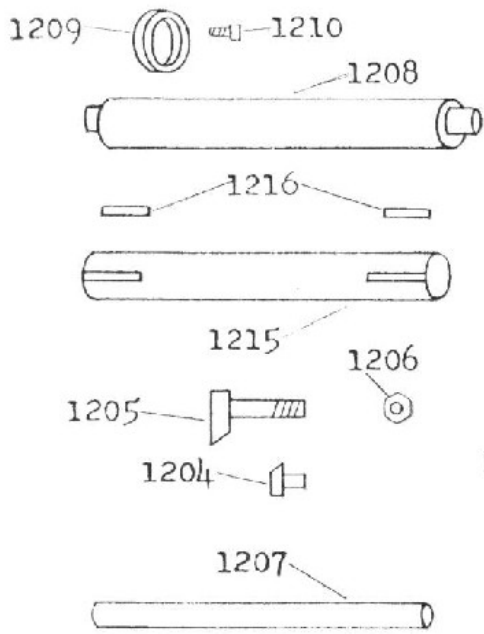
Size and Serial Number of Press must be given.



MOTOR DRIVE THROWOFF LINKAGE

Part Number	Description	Part Number	Description
1060	Variable Speed Pulley	1105	Throwoff Pivot Casting Stud
1061	Motor Base	1106	Throwoff Link
1062	Hex Head Cap Screw	1107	Throwoff Link Eccentric Stud
1063	Cut Washer	1108	Throwoff Casting
1064	Motor Base Slider Rod	1109	Allen Head Set Screw
1065	Spring Pin	1110	Friction Plug
1066	Motor Base Slider Rod Lock Collar	1111	Oil Cup
1067	Allen Head Set Screw	1112	Throwoff Casting Stud
1068	Motor Base Slider Plate	1113	Hex Nut
1069	Hex Head Cap Screw	1114	Throwoff Casting Retainer Washer
1070	Hex Nut	1115	Button Head Cap Screw
1071	Adjusting Screw Lock Collar	1116	Brake Casting
1072	Thrust Bearing	1117	Machine Bolt
1073	Universal Joint	1118	Brake Spring
1074	Spring Pin	1119	Brake Shoe Casting
1075	Slider Plate Adjusting Screw	1120	Brake Band
1080	Speed Control Rod	1121	Brake Pivot Stud
1081	Speed Control Rod Bracket	1122	Throwoff Pivot Casting Stud
1082	Speed Control Crank	1125	Gripper Cam
1083	Allen Head Set Screw	1126	Gripper Cam Pivot Stud
1084	Impression Cable	1127	Ball Bearing
1085	Throwoff Cable	1128	Gripper Cam Ball Bearing Stud
1086	Cable Nut	1129	Hex Nut
1087	Cable Nut Washer	1130	Lock Ring
1088	Throwoff Cable End Plug	1135	Magazine Bracket
1089	Allen Head Set Screw	1136	Magazine Lock Pin
1101	Throwoff Collar Connecting Link	1137	Tool Box
1102	Throwoff Collar Connecting Link Stud	1138	Magazine Leveling Screws
1103	Hex Nut	1139	Hex Nut
1104	Throwoff Pivot Casting	1150	Backshaft Throwoff Collar
		1151	Woodruff Key

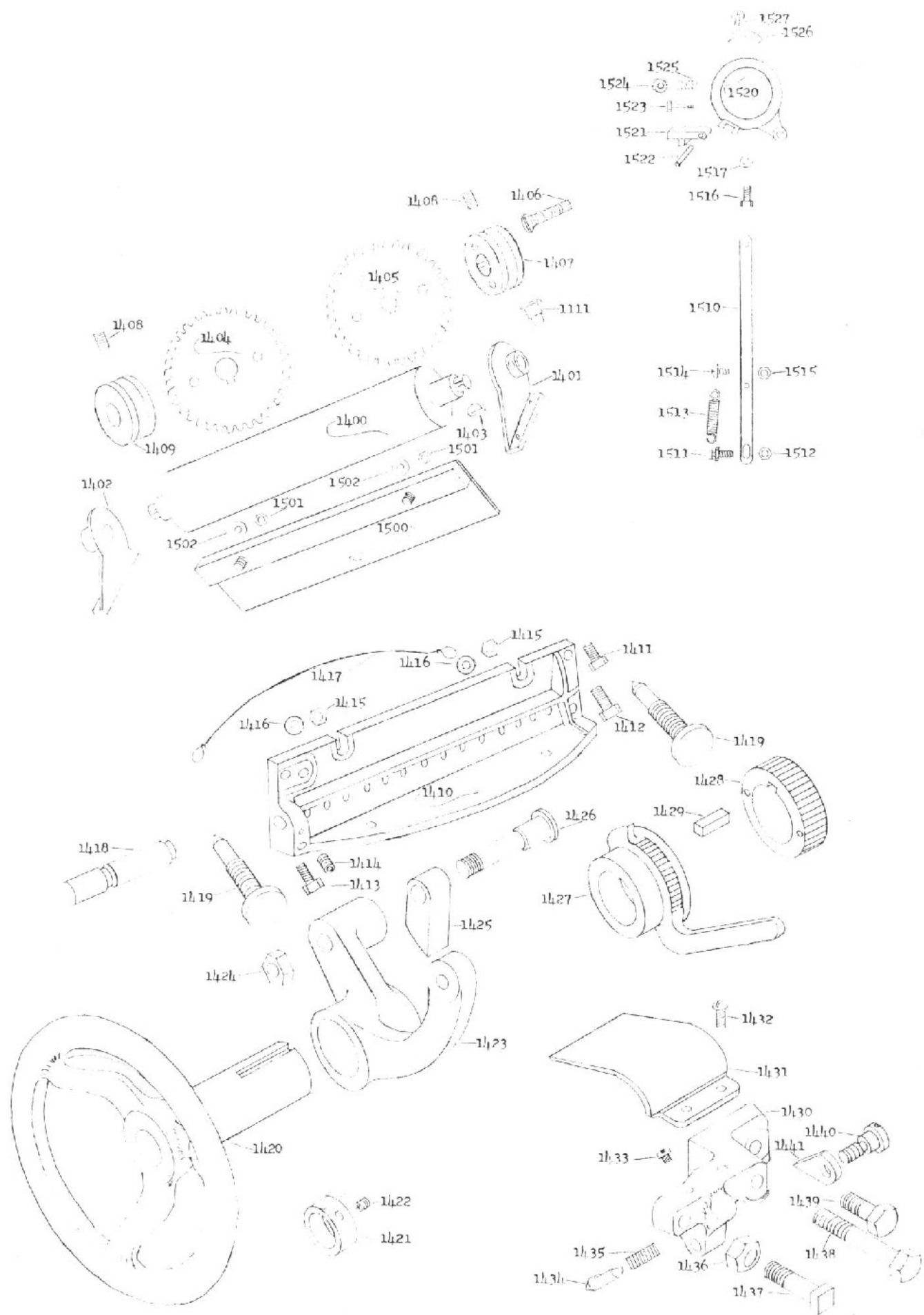
Size and Serial Number of Press must be given.



BED, GEAR, ROCKER & SHAFTS

Part Number	Description
1111	Oil Cup
1200	Head Cam
1201	Bed
1202	Left Bed Track
1203	Right Bed Track
1204	Chase Side Stop
1205	Chase Bottom Stop
1206	Flexlock Nut
1207	Bed Shaft
1208	Back Shaft
1209	Back Shaft Spacer Collar
1210	Square Head Set Screw
1215	Main Shaft
1216	Main Shaft Key
1220	Side Arm
1221	Side Arm Bushing
1222	Side Arm Washer
1223	Button Head Cap Screw
1230	Short Arm
1231	Short Arm Front Wrist Pin
1232	Hex Nut
1233	Lock Ring
1240	Gate Lock Shaft
1241	Hex Nut
1242	Gate Lock
1243	Gate Lock Roller
1244	Gate Lock Roller Stud
1245	Hex Nut
1250	Chase Hook Handle
1251	Spring Pin
1252	Spring Hanger
1253	Spring
1254	Chase Hook Bracket, Right
1255	Chase Hook Bracket, Left
1256	Hex Head Cap Screw
1257	Chase Hook
1258	Drive Pin
1259	Spring Pin
1300	Cam Gear
1301	Cam Gear Wrist Pin
1302	Head Cam Wrist Pin
1305	Rocker
1306	Rocker Arm
1307	Rocker Arm Oil Pipe
1308	Oil Pipe Clamp
1309	Rocker Arm Roller Pin
1310	Rocker Arm Roller
1311	Rocker Arm Lock Pins

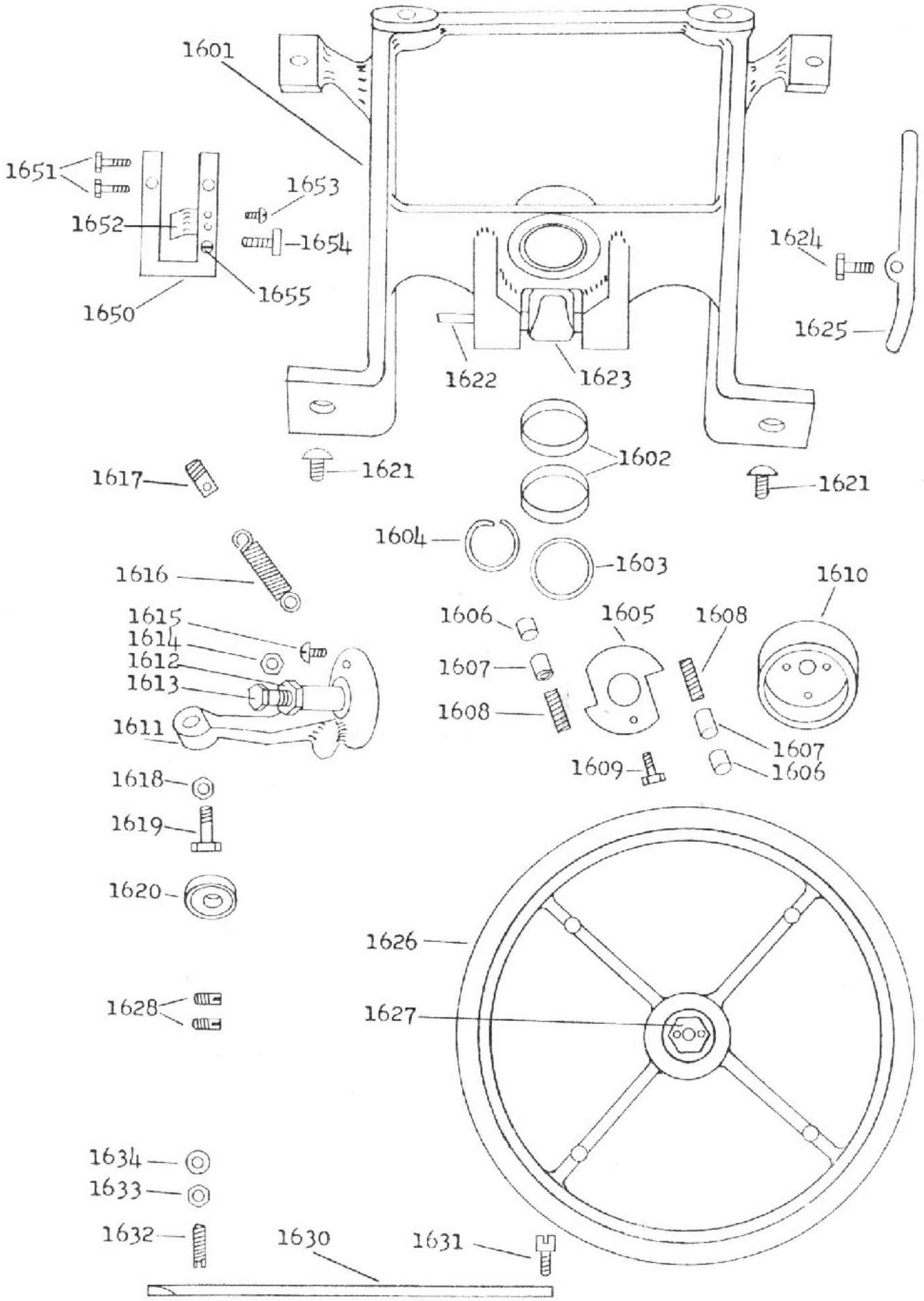
Size and Serial Number of Press must be given.



FOUNTAIN ASSEMBLY

Part Number	Description	Part Number	Description
1111	Oil Cup	1431	Fountain Guard
1400	Fountain Roller	1432	Round Head Machine Screw
1401	Fountain Roller Bracket, Left	1433	Fillister Head Machine Screw
1402	Fountain Roller Bracket, Right	1434	Fountain Ratchet Friction Pin
1403	Woodruff Key	1435	Fountain Ratchet Friction Pin Spring
1404	Fountain Gear	1436	Hex Nut
1405	Fountain Gear	1437	Hex Head Cap Screw
1406	Flat Head Machine Screw	1438	Hex Head Cap Screw
1407	Fountain Truck, Left	1439	Hex Head Cap Screw
1408	Allen Head Set Screw	1440	Ratchet Stop Pawl Stud
1409	Fountain Truck, Right	1441	Ratchet Stop Pawl
1410	Fountain Base	1500	Fountain Blade
1411	Hex Head Cap Screw	1501	Hex Nut
1412	Hex Head Cap Screw	1502	Cut Washer
1413	Hex Head Cap Screw	1510	Fountain Drive Link
1414	Allen Head Set Screw	1511	Fountain Drive Stud
1415	Hex Nut	1512	Hex Nut
1416	Cut Washer	1513	Spring
1417	Fountain Blade Adjusting Screw Wire	1514	Round Head Machine Screw
1419	Fountain Blade Adjusting Screw	1515	Hex Nut
1418	Fountain Base Stud	1516	Hex Head Cap Screw
1420	Fountain Hand Wheel	1517	Hex Nut
1421	Lock Collar	1520	Fountain Throwoff Collar
1422	Allen Head Set Screw	1521	Fountain Throwoff Dog
1423	Fountain Lever	1522	Spring Pin
1424	Hex Nut	1523	Fountain Throwoff Spring Guide Stud
1425	Fountain Pawl	1524	Brass Washer
1426	Fountain Pawl Stud	1525	Spring
1427	Fountain Stroke Regulator	1526	Fountain Throwoff Cam
1428	Fountain Ratchet Wheel	1527	Fillister Head Machine Screw
1429	Fountain Ratchet Wheel Key		
1430	Fountain Lever Stop		

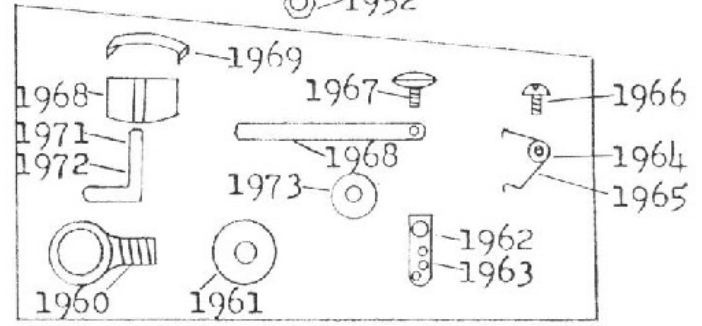
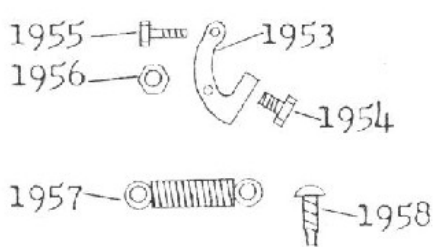
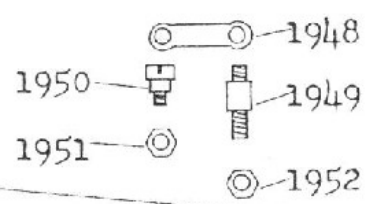
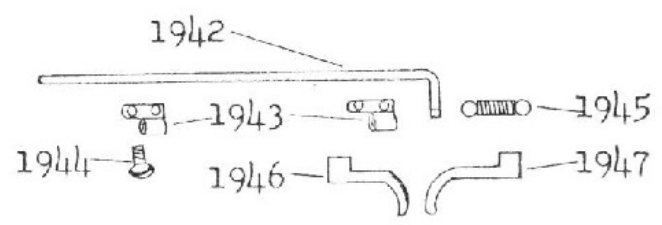
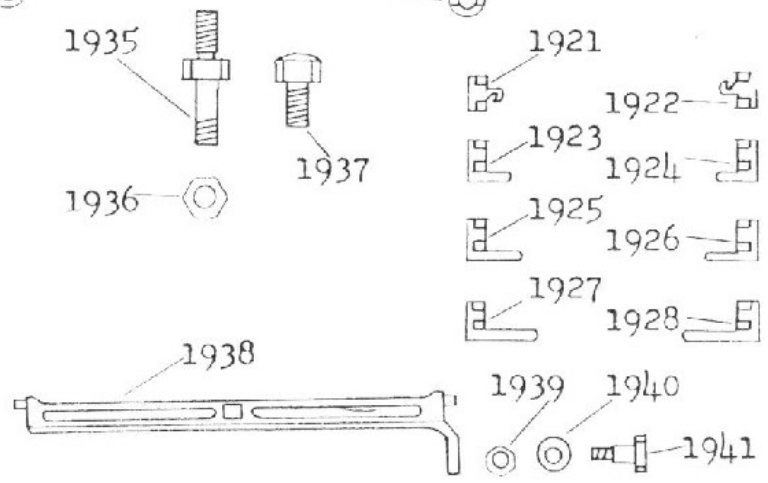
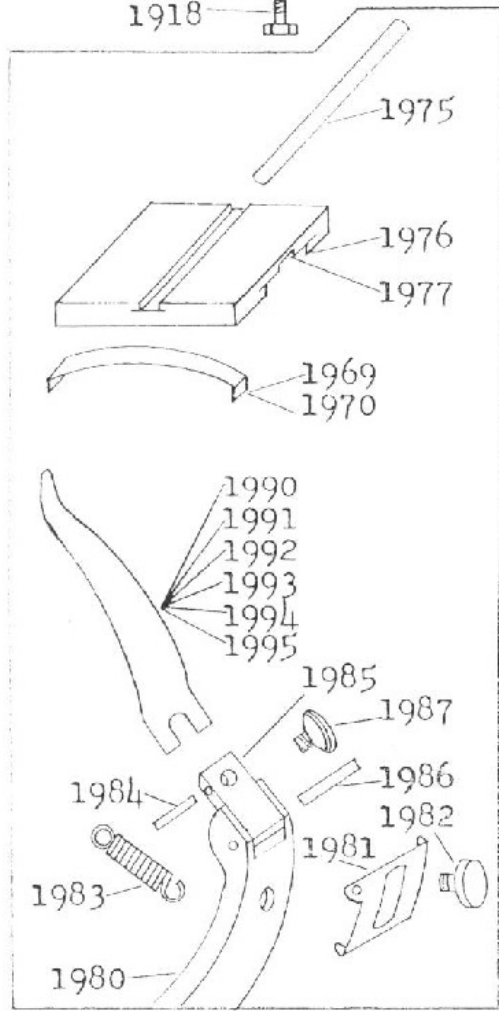
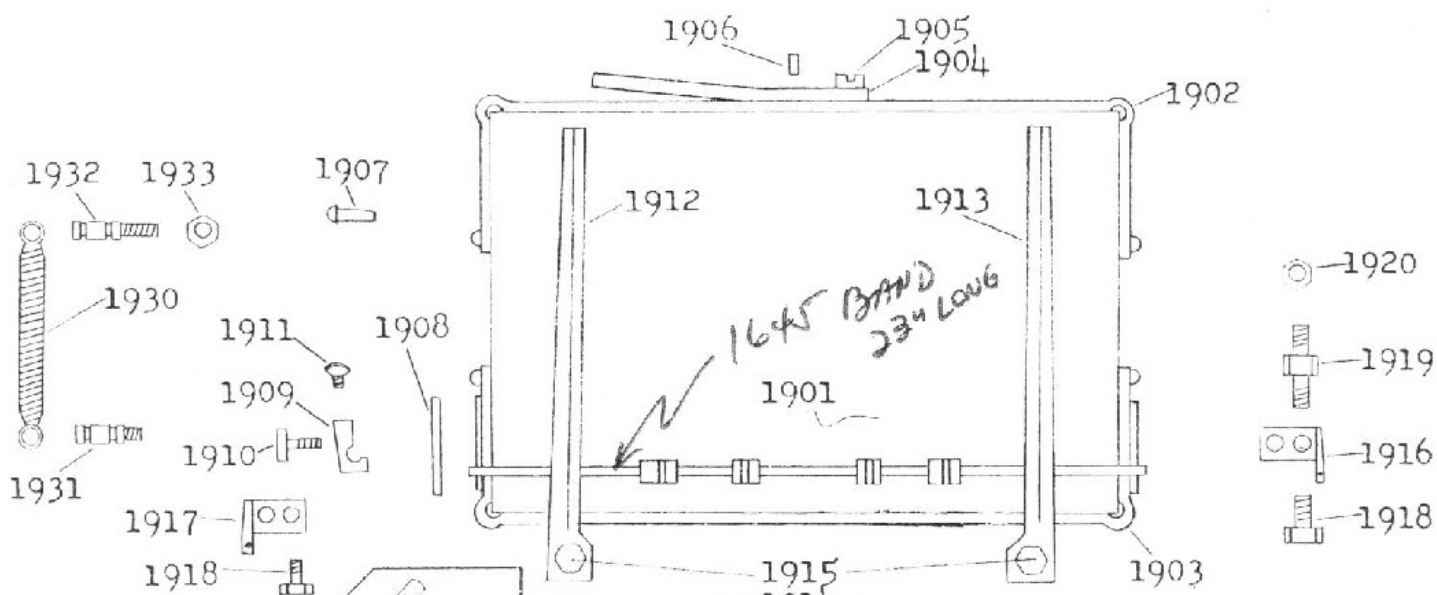
Size and Serial Number of Press must be given.



INK DISC ASSEMBLY

Part Number	Description
1650	Ink Disc Rotation Control Bracket
1651	Hex Head Cap Screw
1652	Tension Spring
1653	Round Head Machine Screw
1654	Rotation Control Screw
1655	Round Head Machine Screw
1601	Ink Disc Bracket
1602	Ink Disc Bracket Bushing
1603	Spring Retainer Washer
1604	Height Tension Spring
1605	Driving Body
1606	Driving Pin
1607	Spring Retainer
1608	Spring
1609	Hex Head Cap Screw
1610	Ink Disc Clutch Housing
1611	Ink Disc Drive Lever
1612	Ink Disc Drive Lever Stud
1613	Ink Disc Height Adjusting Screw
1614	Hex Nut
1615	Round Head Machine Screw
1616	Spring
1617	Spring Hanger
1618	Hex Nut
1619	Ball Bearing Stud
1620	Ball Bearing
1621	Button Head Cap Screw
1622	Ink Disc Lifter Pivot Shaft
1623	Ink Disc Lifter Casting
1624	Ink Disc Lifter Handle Stud
1625	Ink Disc Lifter Handle
1626	Ink Disc
1627	Ink Disc Steel Plug
1628	Ink Disc Drive Pins
1630	Ink Disc Roller Track
1631	Ink Disc Roller Track Screw
1632	Ink Disc Roller Track Adjusting Screw
1633	Hex Nut
1634	Cut Washer

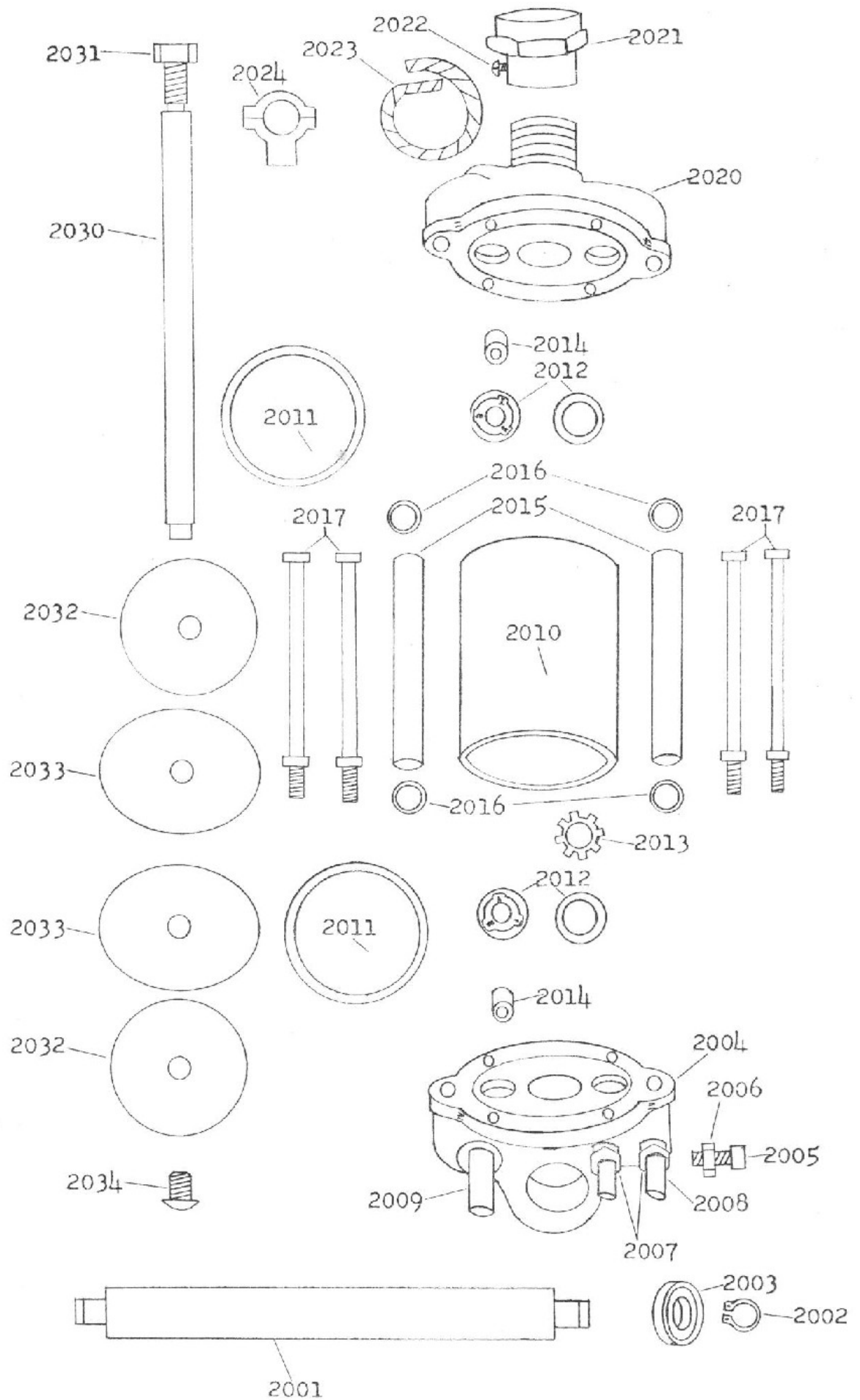
Size and Serial Number of Press must be given.



PLATEN ASSEMBLY

Part Number	Description	Part Number	Description
1901	Platen	1946	Left Register Cam
1902	Tympan Bale, Upper	1947	Right Register Cam
1903	Tympan Bale, Lower With Runners	1948	Register Rod Connecting Link
1904	Tympan Bale Lifter	1949	Right Gripper Stud
1905	Tympan Bale Lifter Pivot Stud	1950	Connecting Link Stud
1906	Tympan Bale Lifter Pin	1951	Hex Nut
1907	Rivet	1952	Hex Nut
1908	Tympan Bale Runner	1953	Sheet Holder Bracket
1909	Bottom Gauge Band Bracket	1954	Hex Head Cap Screw
1910	Bottom Gauge Band Bracket Tension Screw	1955	Hex Head Cap Screw
1911	Round Head Machine Screw	1956	Hex Nut
1912	Right Gripper	1957	Spring
1913	Left Gripper	1958	Drive Screw
1914	Gripper Stud Nut	1960	Side Register Eye Bolt
1915	Gripper Stud	1961	Side Register Eye Bolt Nut
1916	Left Platen Ear	1962	Side Register Base Left
1917	Right Platen Ear	1963	Side Register Base Right
1918	Hex Head Cap Screw	1964	Side Register Spring, Left
1919	Right Hand Register Rod Spring Hanger Stud	1965	Side Register Spring, Right
1920	Hex Nut	1966	Round Head Machine Screw
1921	Right String Fastener	1967	Oval Head Machine Screw
1922	Left String Fastener	1968	Side Register Vertical Band
1923	R.H. Gripper Finger Short	1968	Side Register Block
1924	L.H. Gripper Finger Short	1969	Tension Spring 3/4"
1925	R.H. Gripper Finger Medium	1970	Tension Spring 1/2"
1926	L.H. Gripper Finger Medium	1971	Side Register Tongue, Left
1927	R.H. Gripper Finger Long	1972	Side Register Tongue, Right
1928	L.H. Gripper Finger Long	1973	Side Register Gauge Adjustment Nut
1930	Gripper Bar Spring	1975	Bottom Gauge Block Tongue
1931	Gripper Bar Spring Hanger, Gripper Bar End	1976	Bottom Gauge Block 1/2"
1932	Gripper Bar Spring Hanger, Platen End	1977	Bottom Gauge Block 3/4"
1933	Hex Nut	1980	Sheet Holder
1935	Impression Screw	1981	Sheet Holder Arm Tension Plate
1936	Impression Screw Nut	1982	Sheet Holder Arm Tension Plate Screw
1937	Center Impression Screw	1983	Spring
1938	Gripper Bar	1984	Spring Pin
1939	Hex Nut	1985	Sheet Holder Plate
1940	Gripper Bar Roller	1986	Spring Pin
1941	Gripper Bar Roller Stud	1987	Round Head Machine Screw
1942	Register Rod	1990	Sheet Holder Tongue 4 1/2"
1943	Register Rod Bracket	1991	Sheet Holder Tongue 4"
1944	Self Tapping Screw	1992	Sheet Holder Tongue 3 1/2"
1945	Register Rod Spring	1993	Sheet Holder Tongue 3"
		1994	Sheet Holder Tongue 2 1/2"
		1995	Sheet Holder Tongue 2"

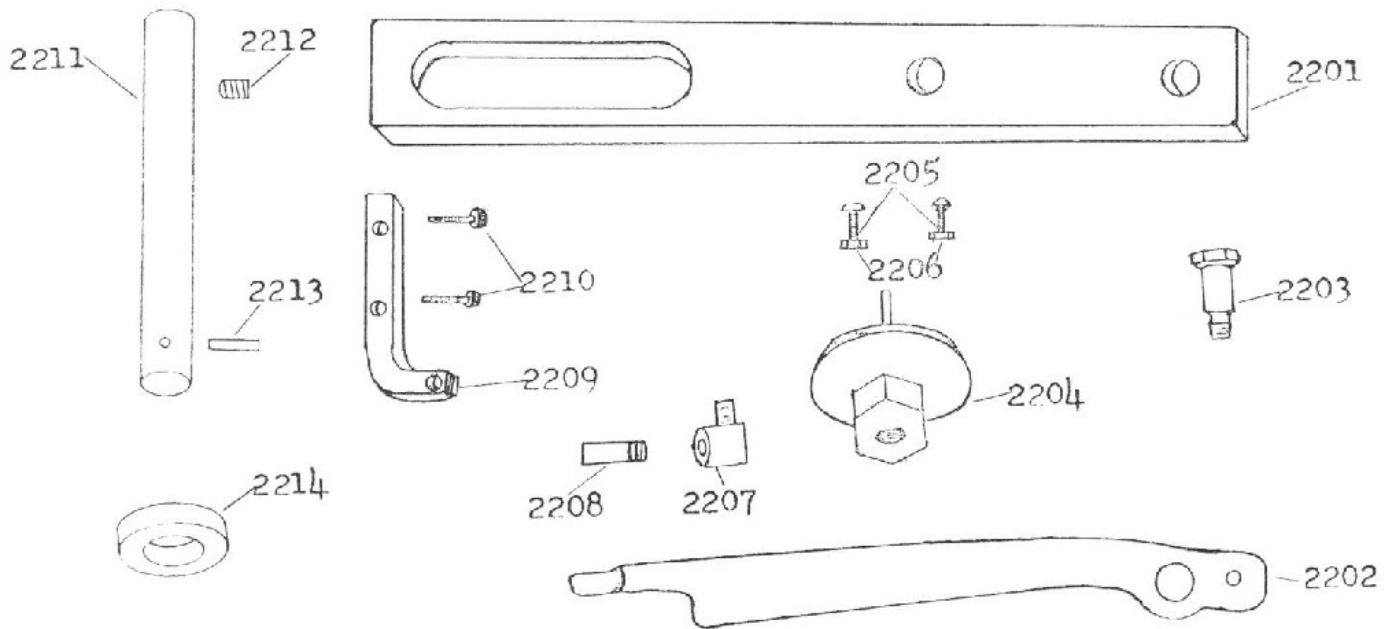
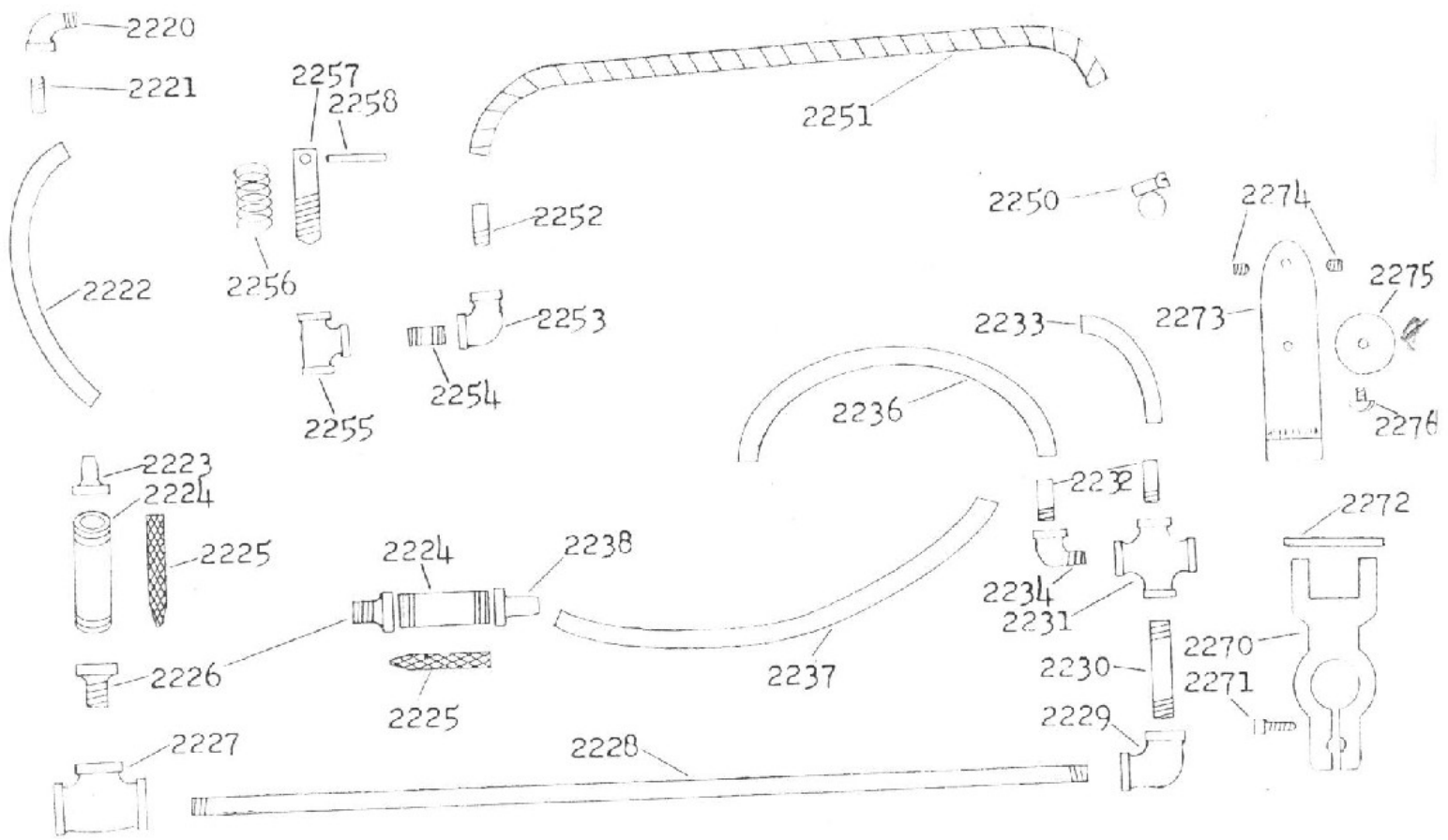
Size and Serial Number of Press must be given.



PUMP ASSEMBLY

Part Number	Description
2001	Pump Rocker Shaft
2002	Lock Ring
2003	Ball Bearing
2004	Pump Base
2005	Square Head Set Screw
2006	Hex Nut
2007	Reducer Bushing
2008	Hose Nipple
2009	Metal Blast Hose Nipple
2010	Pump Cylinder
2011	Pump Cylinder Gasket
2012	Brass Valves
2013	Brass Valves Retaining Ring
2014	Pump Relief Valve
2015	Pump Side Pipes
2016	"O" Rings
2017	Machine Bolts
2020	Pump Top
2021	Packing Nut
2022	Round Head Machine Screw
2023	Pump Packing
2024	Pump Bearing
2030	Pump Piston Rod
2031	Hex Nut
2032	Steel Pump Piston Washers
2033	Rulon Pump Cups
2034	Button Head Cap Screw

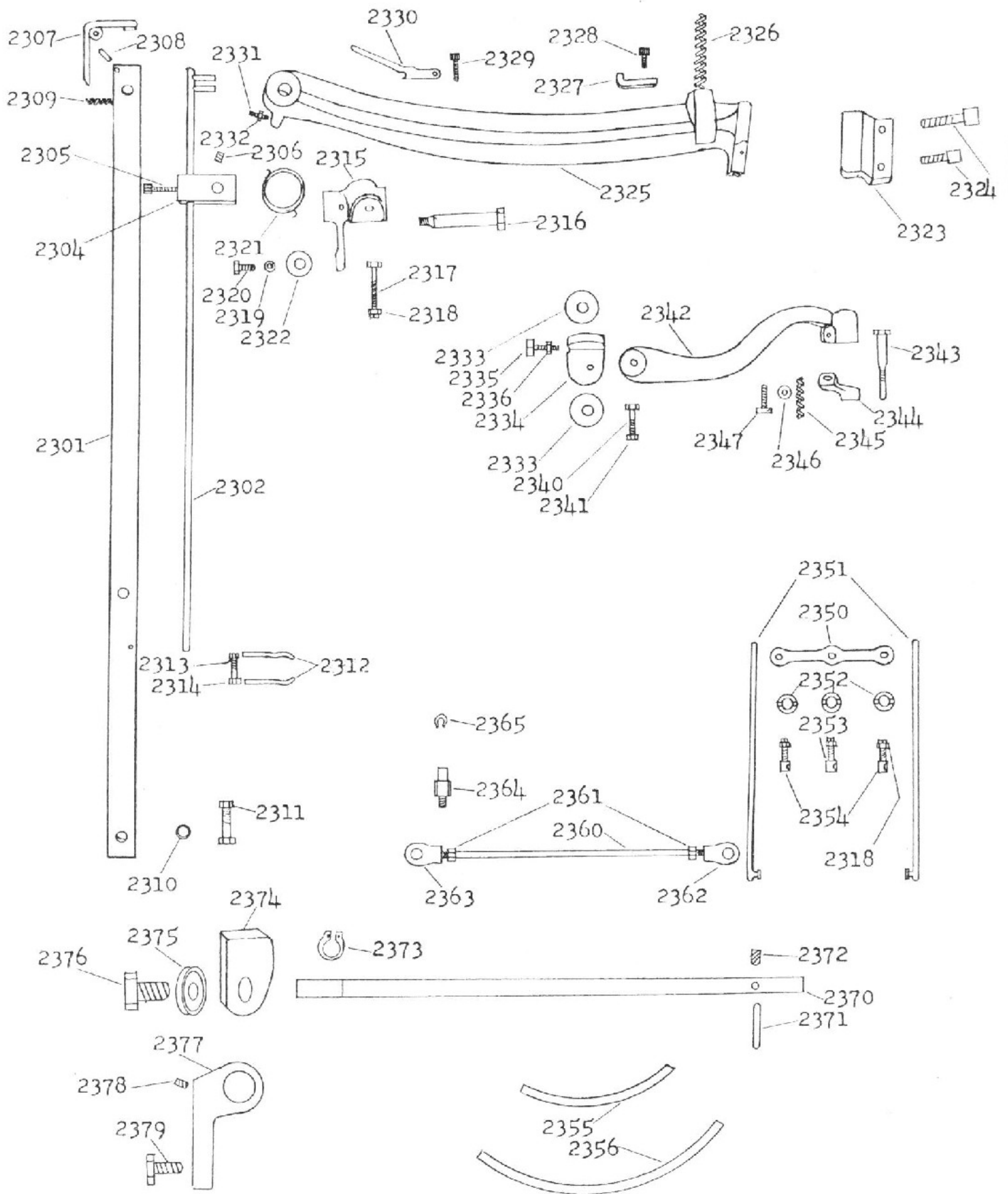
Size and Serial Number of Press must be given.



AIR SYSTEM

Part Number	Description
2201	Throwoff Bar
2202	Throwoff Lock Casting
2203	Throwoff Lock Stud
2204	Throwoff Diaphragm
2205	Round Head Machine Screws
2206	Hex Nut
2207	Brass Street Ell
2208	Hose Nipple
2209	Throwoff Cable Bracket
2210	Allen Head Cap Screw
2211	Throwoff Roller Shaft
2212	Spring Pin
2213	Allen Head Set Screw
2214	Throwoff Roller
2220	Feeder Arm Street Ell
2221	Hose Nipple
2222	Feeder Arm Hose
2223	Filter End Hose Connection
2224	Plastic Filter Body
2225	Filter Screen
2226	Filter End, Threaded
2227	Head Post Tee
2228	Head Post Air Pipe
2229	Elbow
2230	Pipe Nipple
2231	Pipe Cross
2232	Hose Nipple
2233	Short Pump Hose
2234	Street Ell
2236	Throwoff Diaphragm Hose
2237	Delivery Hose
2238	Delivery Filter End Hose Connection
2250	Metal Blast Hose Clamp
2251	Metal Blast Hose
2252	Hose Nipple
2253	Elbow
2254	Pipe Nipple
2255	Air Blast Valve Tee
2256	Spring
2257	Air Blast Valve Seat
2258	Spring Pin
2270	Feed Valve Base
2271	Allen Head Cap Screw
2272	Spring Pin
2273	Feed Valve Pivot Casting
2274	Allen Head Set Screw
→ 2275	Delivery Valve Rubber Seal
2276	Round Head Machine Screw

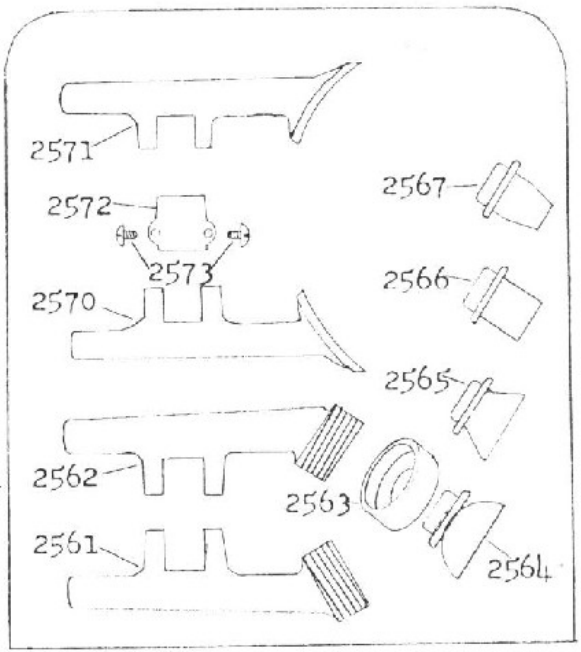
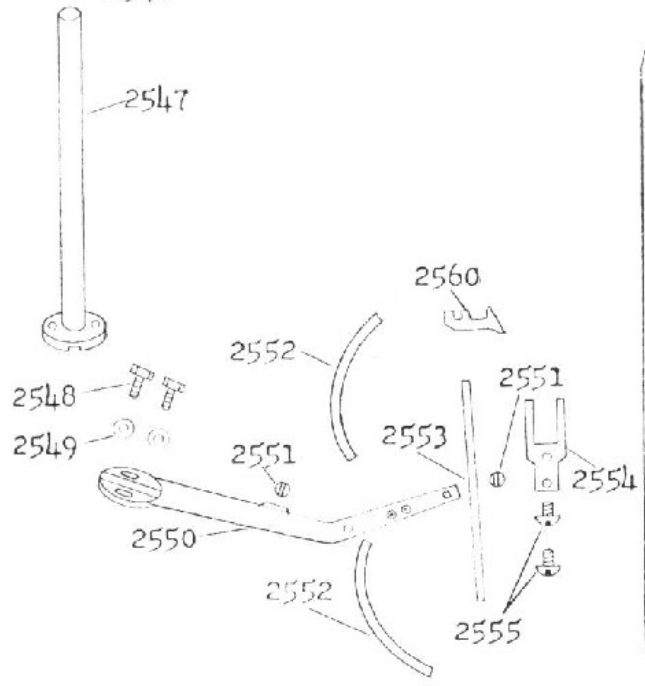
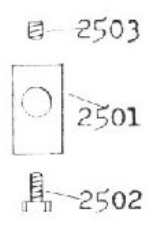
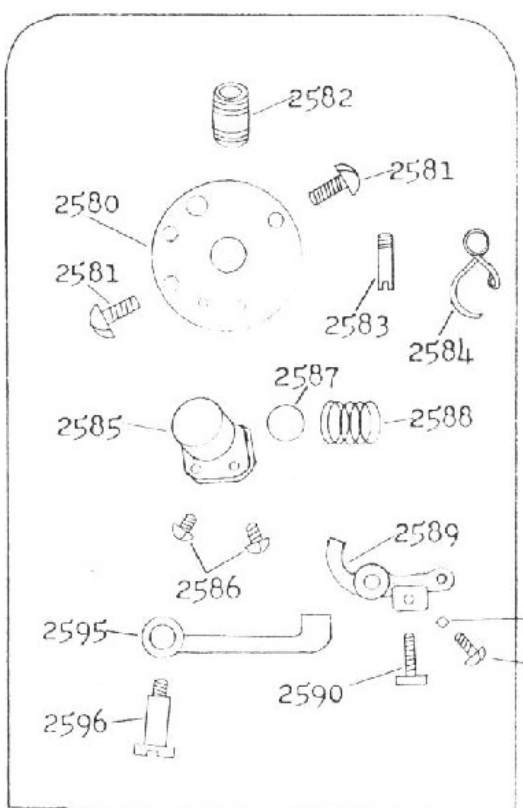
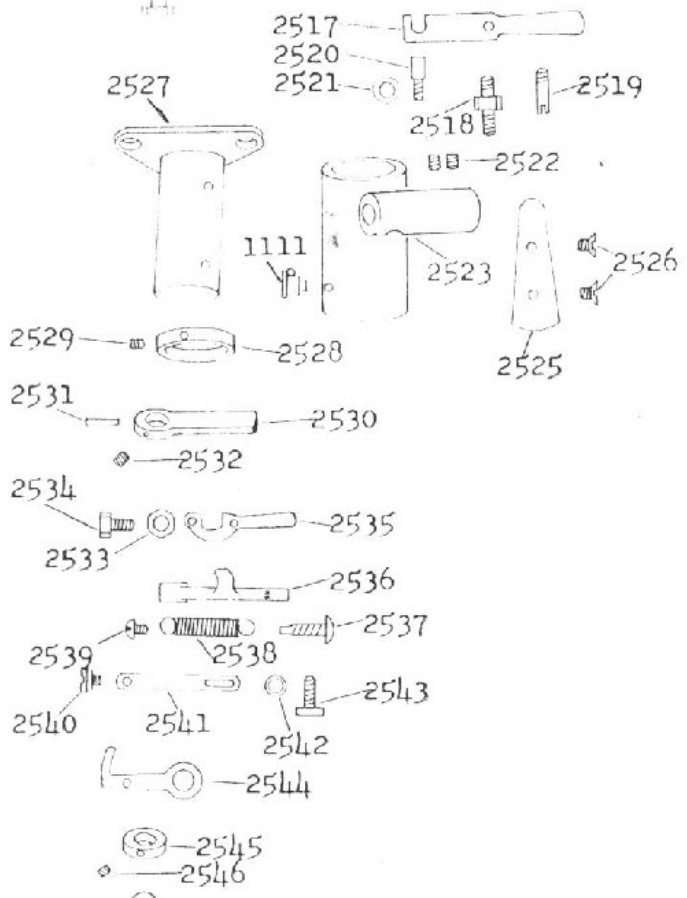
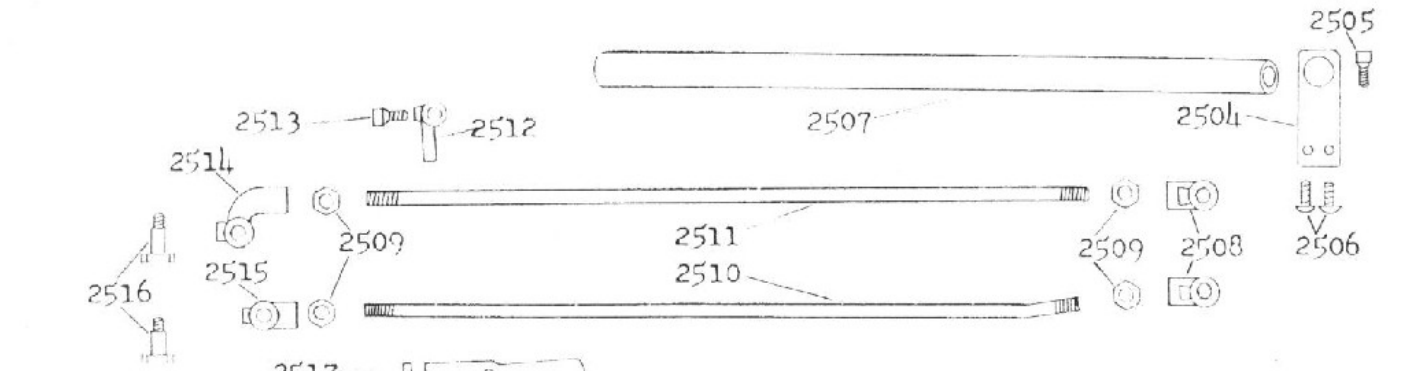
Size and Serial Number of Press must be given.



DELIVERY ASSEMBLY

Part Number	Description	Part Number	Description
2301	Delivery Bar	2336	Hex Nut
2302	Delivery Air Tube	2340	Hex Head Cap Screw
2304	Delivery Air Tube Bracket	2341	Flexlock Nut
2305	Allen Head Cap Screw	2342	Delivery Cross Arm
2306	Allen Head Set Screw	2343	Delivery Cross Bar Pivot Stud
2307	Delivery Release Valve Castings	2344	Delivery Cross Bar Leveling Casting
2308	Spring Pin	2345	Spring
2309	Spring	2346	Brass Washer
2310	Delivery Bar Pivot Bushing	2347	Delivery Cross Bar Leveling Screw
2311	Hex Head Cap Screw	2350	Delivery Cross Bar
2312	Delivery Air Filter Clamps	2351	Delivery Tube
2313	Hex Head Cap Screw	2352	Delivery Tube Friction Washer
2314	Hex Nut	2353	Delivery Cross Bar Stud Retainer
2315	Delivery Pivot Casting	2354	Delivery Tube Retainer
2316	Delivery Pivot Casting Stud	2355	Delivery Tube Air Hose, Short
2317	Hex Head Cap Screw	2356	Delivery Tube Air Hose, Long
2318	Flexlock Nut	2360	Delivery Bar Drive Rod
2319	Bushing	2361	Hex Nut
2320	Hex Head Cap Screw	2362	Cam End Delivery Bar Bearing
2321	Coil Spring	2363	Bar End Delivery Bar Bearing
2322	Ball Bearing	2364	Bar End Delivery Bar Bearing Stud
2323	Delivery Track Retainer Casting	2365	Lock Ring
2324	Allen Head Cap Screw	2370	Delivery Lowering Rod
2325	Delivery Track Casting	2371	Delivery Lowering Rod Arm
2326	Spring	2372	Allen Head Set Screw
2327	Delivery Track Height Control Bracket	2373	Lock Ring
2328	Allen Head Cap Screw	2374	Ball Bearing Block
2329	Allen Head Cap Screw	2375	Ball Bearing
2330	Delivery Lock	2376	Hex Head Cap Screw
2331	Headless Set Screw	2377	Delivery Height Adjustment Casting
2332	Hex Nut	2378	Allen Head Set Screw
2333	Friction Washer	2379	Thumb Screw
2334	Friction Pivot Casting		
2335	Square Head Set Screw		

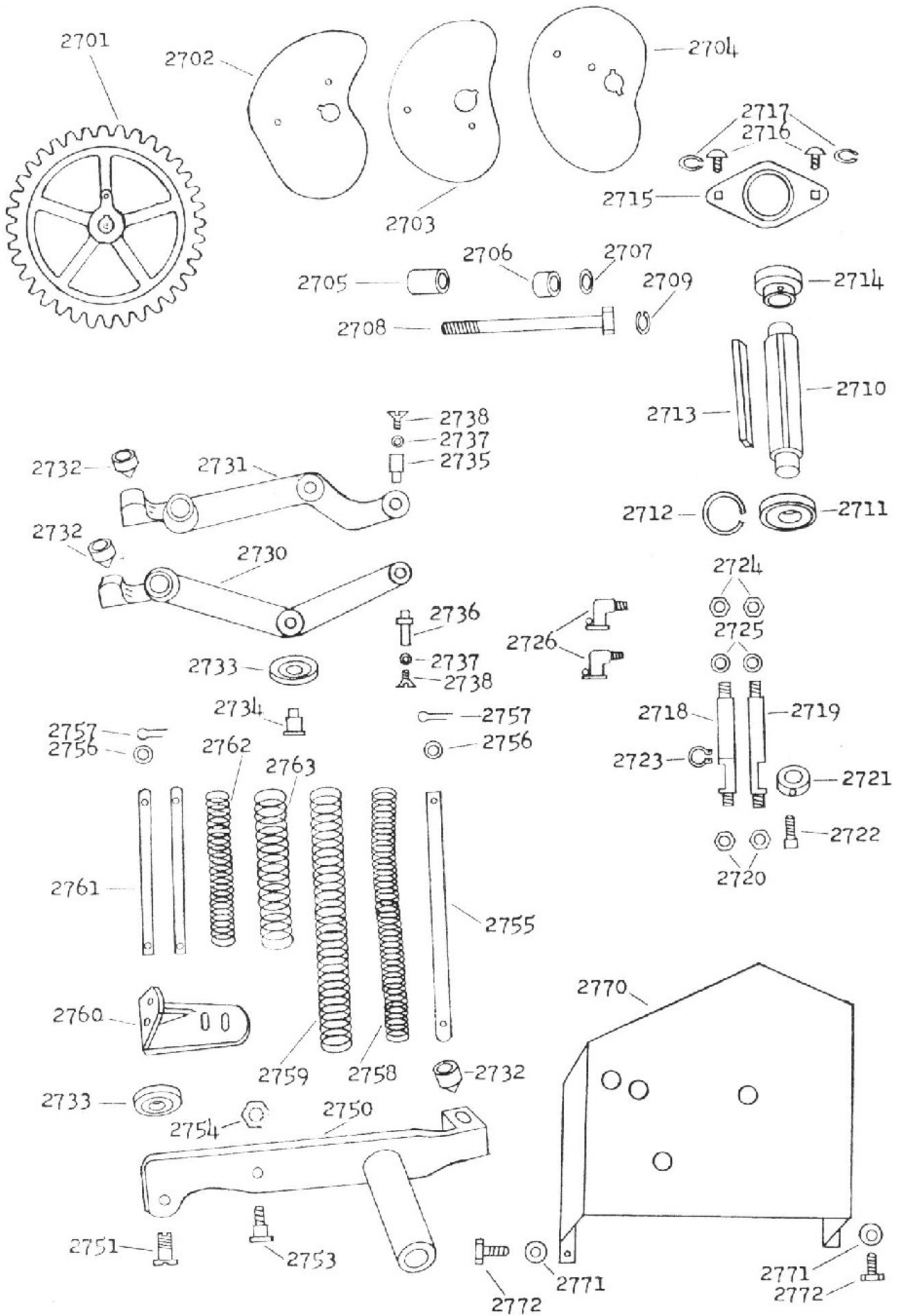
Size and Serial Number of Press must be given.



HEAD ASSEMBLY

Part Number	Description	Part Number	Description
1111	Oil Cup	2544	Suction Release Lever
2501	Bottom Feed Post Bracket	2545	Feeding Arm Shaft Lock Collar
2502	Hex Head Cap Screw	2546	Allen Head Set Screw
2503	Allen Head Set Screw	2547	Feeding Arm Shaft
2504	Feed Post To Gear Guard Bracket	2548	Feeding Arm Stud
2505	Square Head Set Screw	2549	Feeding Arm Stud Washer
2506	Button Head Cap Screw	2550	Feeding Arm
2507	Feeding Head Post	2551	Feeding Arm Plug
2508	Actuating Rod Bottom Bearing	2552	Feeding Arm Air Hose
2509	Hex Nut	2553	Feeding Arm Cross Bar
2510	Front Actuating Rod	2554	Feeding Arm Fork
2511	Rear Actuating Rod	2555	Round Head Machine Screw
2512	Feeding Arm Stop Bracket	2560	Dummy Sucker
2513	Square Head Set Screw	2561	Feeding Vacuum Tip Cardboard, Left
2514	Rear Actuating Rod Top Bearing	2562	Feeding Vacuum Tip Cardboard, Right
2515	Front Actuating Rod Top Bearing	2563	Feeding Vacuum Tip Cardboard Nut
2516	Actuating Rod Top Bearing Stud	2564	Large Carton Sucker Tip
2517	Lock Handle	2565	Medium Rubber Sucker Tip
2518	Lock Handle Pivot Stud	2566	Small Rubber Sucker Tip
2519	Lock Handle Stop Pin	2567	Margin Rubber Sucker Tip
2520	Lock Handle Lock Pin	2570	Feeding Vacuum Tip Paper, Left
2521	Hex Nut	2571	Feeding Vacuum Tip Paper, Right
2522	Allen Head Set Screw	2572	Feeding Vacuum Tip Tension Spring
2523	Feeding Arm Post Head	2573	Round Head Machine Screw
2525	Oil Drip Pan	2580	Head Release Valve Base
2526	Flat Head Machine Screw	2581	Round Head Machine Screw
2527	Head Eccentric	2582	Pipe Nipple
2528	Head Eccentric Lock Collar	2583	Release Valve Arm Stop Pin
2529	Allen Head Set Screw	2584	Coil Spring
2530	Feeding Arm Lever	2585	Release Valve Ball Retainer
2531	Taper Pin	2586	Round Head Machine Screw
2532	Allen Head Set Screw	2587	Release Valve Steel Ball
2533	Hex Nut	2588	Spring
2534	Hex Head Cap Screw	2589	Release Valve Ball Lifter
2535	Feeding Arm Lock Lever	2590	Release Valve Adjusting Screw
2536	Feeding Arm Lifting Lever	2591	Release Valve Adjusting Screw
2537	Drive Screw		Friction Plug
2538	Spring	2592	Round Head Machine Screw
2539	Round Head Machine Screw	2595	Release Valve Trip Arm
2540	Adjusting Link Pivot Stud	2596	Release Valve Trip Arm Pivot Stud
2541	Adjusting Link		
2542	Adjusting Link Lock Screw Bushing		
2543	Adjusting Link Lock Screw		

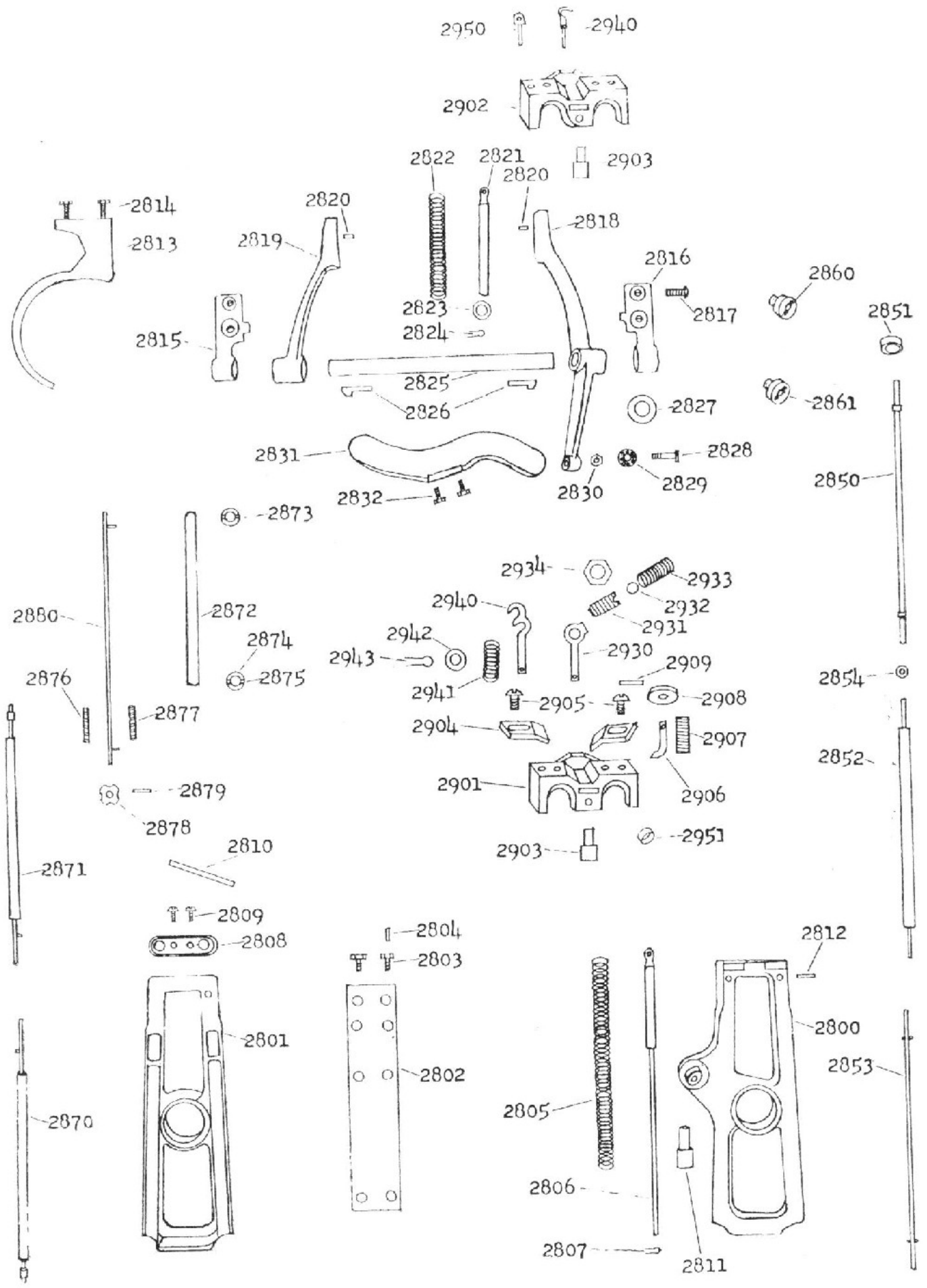
Size and Serial Number of Press must be given.



CAM BASE ASSEMBLY

Part Number	Description
2701	Cam Base Gear
2702	Delivery Cam
2703	Head Eccentric Cam
2704	Head Shaft Cam
2705	Cam Spacer, Long
2706	Cam Spacer, Short
2707	Cam Spacer, Shim
2708	Hex Head Cap Screw
2709	Lock Washer
2710	Cam Base Shaft
2711	Outside Shaft Ball Bearing
2712	Ball Bearing Lock Ring
2713	Cam Key
2714	Inside Shaft Ball Bearing
2715	Inside Shaft Ball Bearing Bracket
2716	Button Head Cap Screw
2717	Lock Washer
2718	Cam Follower Arm Pivot Stud
2719	Delivery Follower Arm Pivot Stud
2720	Hex Nut
2721	Lock Collar
2722	Square Head Set Screw
2723	Lock Ring
2724	Hex Nut
2725	SAE Washer
2726	Oil Cup
2730	Eccentric Rocker Arm
2731	Feeding Arm Rocker Arm
2732	Nylon Socket
2733	Ball Bearing
2734	Ball Bearing Stud
2735	Rocker Arm End Bearing Stud
2736	Eccentric Rocker Arm End Bearing Stud
2737	Countersunk Washer
2738	Flat Head Machine Screw
2750	Delivery Rocker Arm
2751	Delivery Rocker Arm End Bearing Stud
2753	Ball Bearing Stud
2754	Hex Nut
2755	Delivery Arm Push Spring Rod
2756	Cut Washer
2757	Cotter Pin
2758	Inside Push Rod Spring
2759	Outside Push Rod Spring
2760	Cam Base Double Spring Base
2761	Double Spring Push Rod
2762	Inside Push Spring
2763	Outside Push Spring
2770	Cam Base Cover
2771	Cut Washer
2772	Hex Head Cap Screw

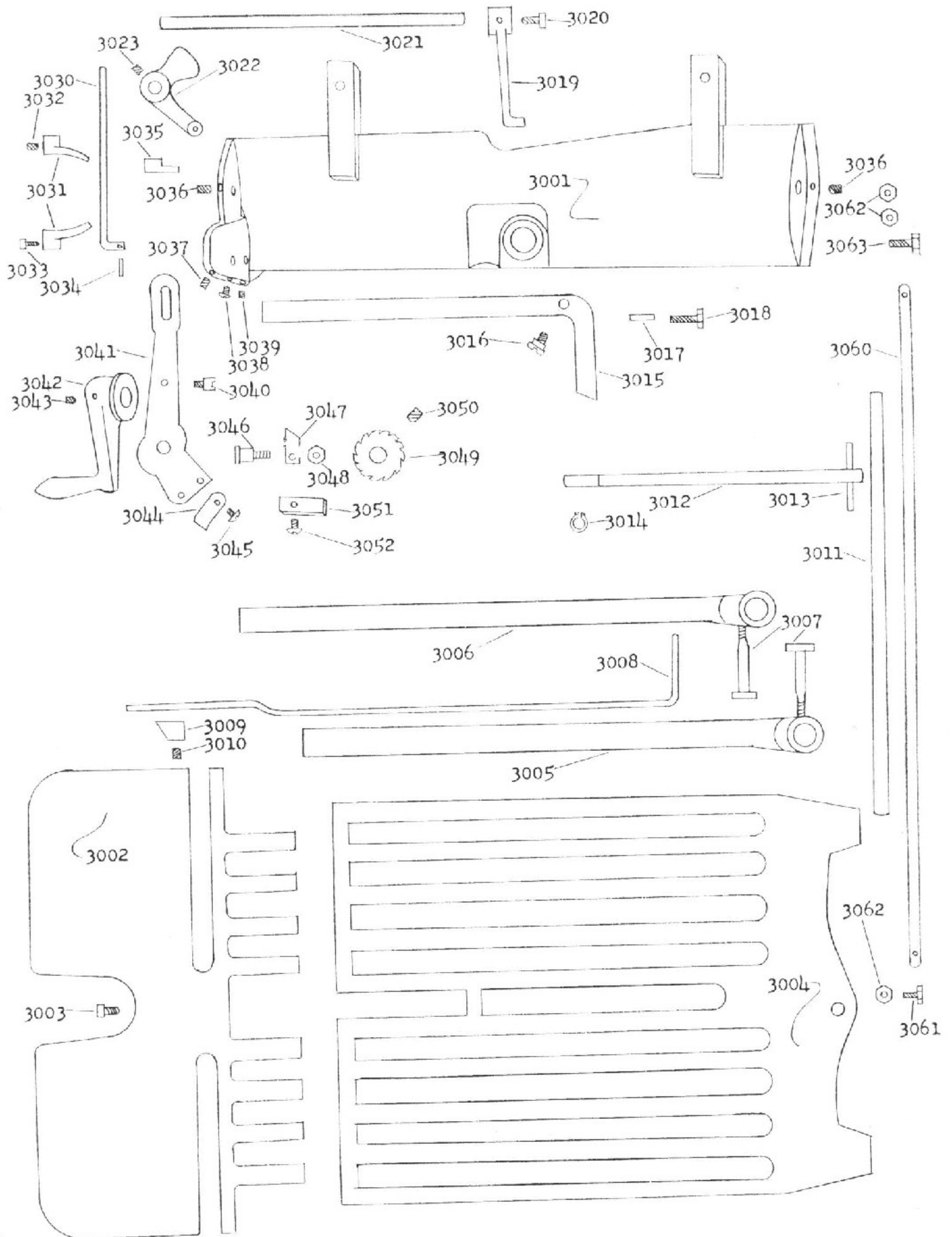
Size and Serial Number of Press must be given.



INK ROLLER ASSEMBLY

Part Number	Description	Part Number	Description
2800	Left Roller Frame	2853	Distributor Rider Roller Shaft
2801	Right Roller Frame	2854	Distributor Rider Roller Brass Plug
2802	Roller Frame Back Plate	2860	Roller Truck Large
2803	Hex Head Cap Screw	2861	Roller Truck Standard
2804	Dowel Pin	2870	Vibrator Roller, Left Hand Thread
2805	Saddle Rod Spring	2871	Vibrator Roller, Right Hand Thread
2806	Saddle Rod	2872	Vibrator Tube
2807	Cotter Pin	2873	Vibrator Brass Plug, Not Threaded
2808	Roller Frame Oil Cover	2874	Vibrator Brass Plug, Left Hand Thread
2809	Round Head Machine Screw	2875	Vibrator Brass Plug, Right Hand Thread
2810	Saddle Rod Felt Wicking	2876	Vibrator Screw, Left Hand Thread
2811	Left Roller Frame Wrist Pin	2877	Vibrator Screw, Right Hand Thread
2812	Spring Pin	2878	Vibrator Ratchet Plug
2813	Ink Disc Drive Cam	2879	Spring Pin
2814	Hex Head Cap Screw	2880	Vibrator Shaft
2815	Distributor Roller Arm Bracket, Right	2901	Ink Roller Saddle
2816	Distributor Roller Arm Bracket, Left	2902	Ink Roller Saddle, Upper Left
2817	Button Head Cap Screw	2903	Ink Roller Saddle Pivot Stud
2818	Distributor Roller Arm, Left	2904	Vibrator Adjusting Block
2819	Distributor Roller Arm, Right	2905	Round Head Machine Screw
2820	Spring Pin	2906	Double Saddle Lock
2821	Distributor Saddle Rod	2907	Double Saddle Lock Spring
2822	Distributor Saddle Rod Spring	2908	Double Saddle Lock Nut
2823	Distributor Saddle Rod Washer	2909	Spring Pin
2824	Cotter Pin	2930	Vibrator Saddle With Friction Plug
2825	Distributor Roller Arm Shaft	2931	Friction Plug Body
2826	Distributor Roller Arm Key	2932	Steel Ball
2827	Distributor Roller Arm Spacer	2933	Spring
2828	Ball Bearing Roller Stud	2934	Lock Nut, Special
2829	Ball Bearing	2940	Vibrator Saddle With Lifter Hook
2830	Hex Nut	2941	Vibrator Saddle Spring
2831	Distributor Roller Cam	2942	Vibrator Saddle Spring Washer
2832	Hex Head Cap Screw	2943	Cotter Pin
2850	Roller Core	2950	Distributor Rider Roller Saddle
2851	Roller Core Ball Bearing	2951	Ink Roller Saddle Bushing
2852	Distributor Rider Roller		

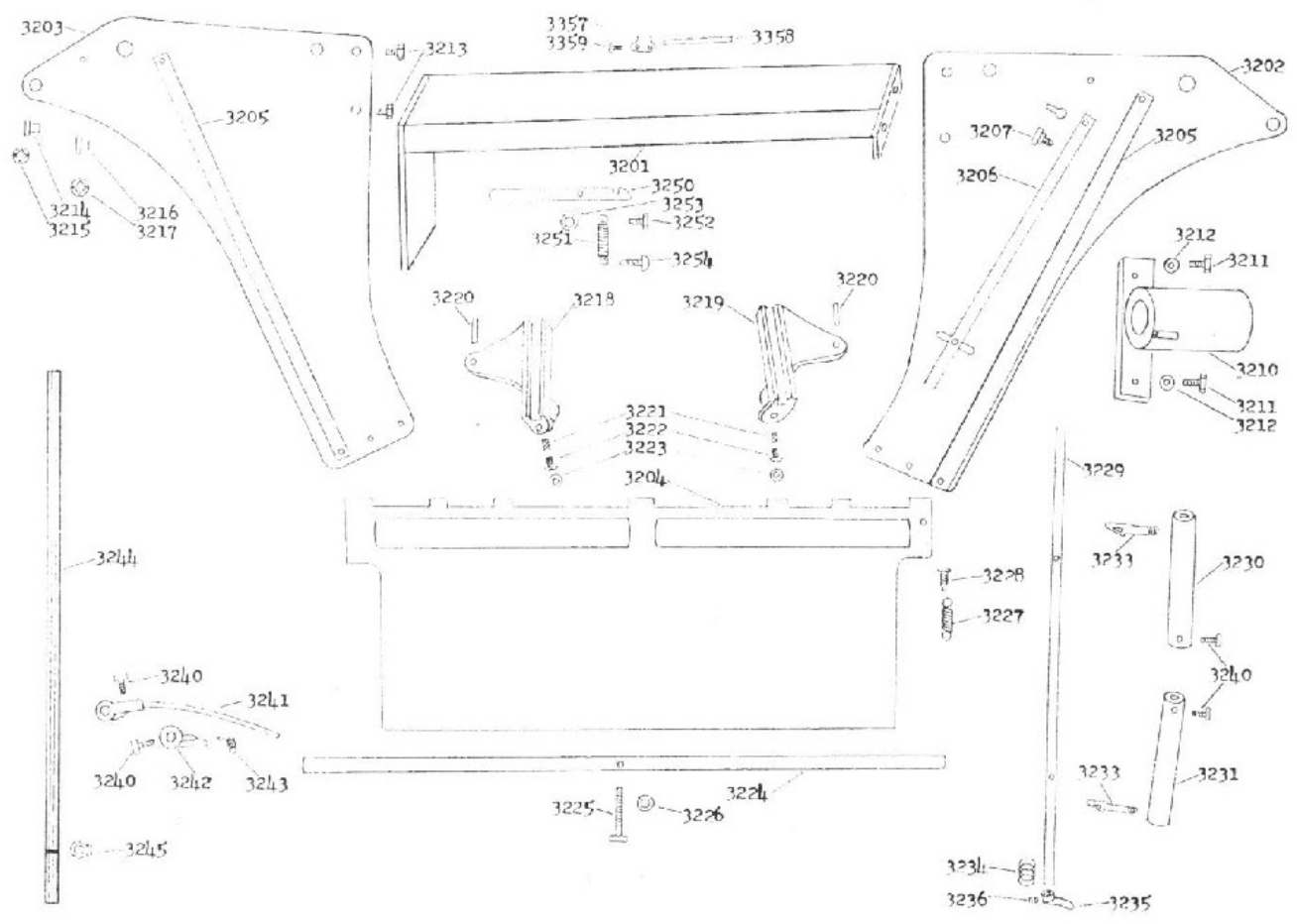
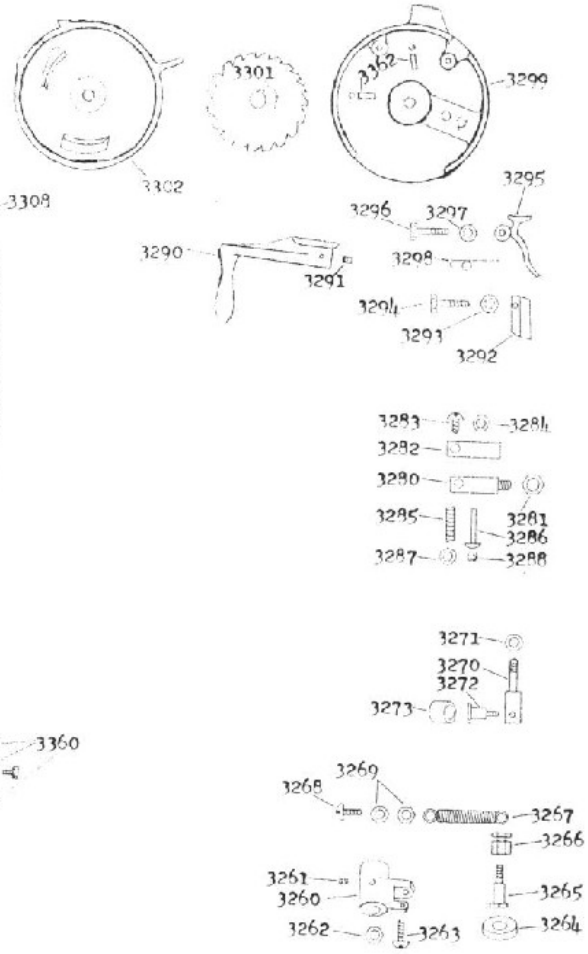
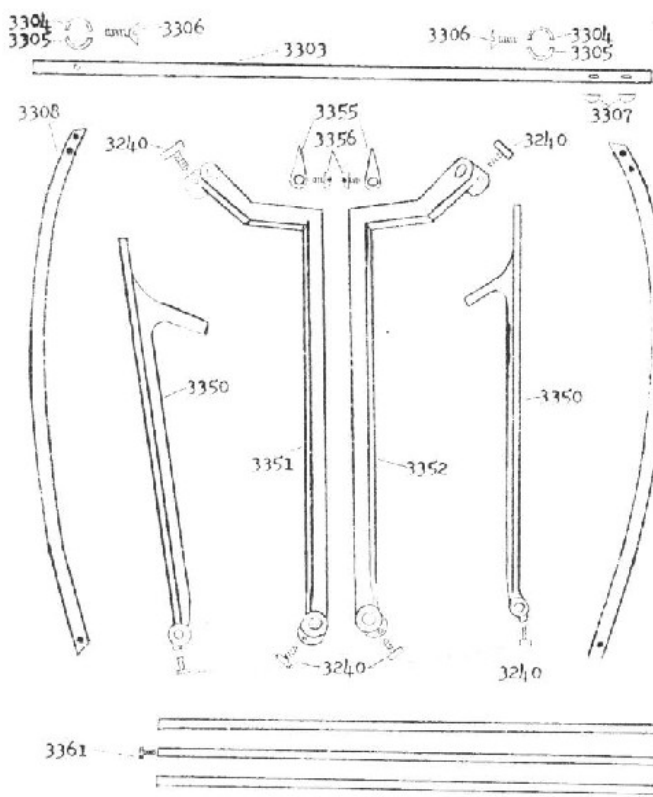
Size and Serial Number of Press must be given.



JOGGER ASSEMBLY

Part Number	Description
3001	Jogger Base
3002	Jogger Table
3003	Square Head Set Screw
3004	Jogger Back
3005	Jogger Side Guide, Left
3006	Jogger Side Guide, Right
3007	Jogger Side Guide Thumb Screw
3008	Jogger Feeler Rod
3009	Jogger Feeler Head
3010	Allen Head Set Screw
3011	Jogger Side Guide Bottom Rod
3012	Jogger Back Handle
3013	Spring Pin
3014	Lock Ring
3015	Jogger Pawl Trip Arm
3016	Jogger Pawl Trip Arm Pivot Stud
3017	Steel Friction Plug
3018	Thumb Screw
3019	Jogger Feeler Rod Drive Lever
3020	Square Head Set Screw
3021	Feeler Rod Drive Lever Cross Rod
3022	Jogger Feeler Balance Lever
3023	Allen Head Set Screw
3030	Jogger Feeler Balance Link Lever
3031	Jogger Feeler Sensors
3032	Allen Head Set Screw
3033	Square Head Set Screw
3034	Spring Pin
3035	Jogger Feeler Balance Link Lever Guide
3036	Allen Head Set Screw
3037	Allen Head Set Screw
3038	Round Head Machine Screw
3039	Allen Head Set Screw
3040	Lowering Lever Pin
3041	Jogger Lowering Lever
3042	Jogger Crank
3043	Allen Head Set Screw
3044	Tension Spring
3045	Round Head Machine Screw
3046	Jogger Regulating Pawl Stud
3047	Jogger Regulating Pawl
3048	Hex Nut
3049	Jogger Regulating Ratchet Gear
3050	Allen Head Set Screw
3051	Jogger Regulating Pawl Plate
3052	Round Head Machine Screw
3060	Jogger Drive Link
3061	Hex Head Cap Screw
3062	Hex Nut
3063	Hex Head Cap Screw

Size and Serial Number of Press must be given.

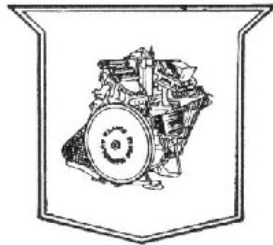


MAGAZINE ASSEMBLY

Part Number	Description	Part Number	Description
3201	Magazine Base	3263	Round Head Machine Screw
3202	Magazine Side Plate, Right	3264	Roller
3203	Magazine Side Plate, Left	3265	Roller Stud
3204	Magazine Backplate	3266	Spring Hanger
3205	Magazine Backplate Slide Track	3267	Spring
3206	Magazine Backplate Tilt Track	3268	Round Head Machine Screw
3207	Magazine Backplate Tilt Track Shoulder Stud	3269	Hex Nut
3210	Magazine Post Bracket	3270	Magazine Back Plate Tilt Bracket
3211	Hex Head Cap Screw	3271	Flex Lock Nut
3212	Washer	3272	Roller Stud
3213	Hex Head Cap Screw	3273	Roller
3214	Oilite Bushing, Small	3280	Trip Plate Stop Bracket
3215	Oilite Bushing Lock Ring Small	3281	Flexlock Nut
3216	Oilite Bushing, Large	3282	Stop Pawl
3217	Oilite Bushing Lock Ring Large	3283	Round Head Machine Screw
3218	Magazine Back Plate Slider, Left	3284	Hex Nut
3219	Magazine Back Plate Slider, Right	3285	Trip Plate Return Spring
3220	Spring Pin	3286	Trip Plate Return Spring Pin
3221	Allen Head Set Screw	3287	Brass Washer, Large
3222	Round Head Machine Screw	3288	Brass Washer, Small
3223	Washer	3290	Magazine Crank
3224	Magazine Back Plate Cross Rod	3291	Allen Head Set Screw
3225	Magazine Back Plate Adjusting Screw	3292	Magazine Drive Pawl
3226	Lock Nut	3293	Hex Nut
3227	Magazine Back Plate Spring	3294	Hex Head Cap Screw
3228	Drive Screw	3295	Magazine Drive Pawl Lifter
3229	Magazine Blower Air Pipe	3296	Hex Head Cap Screw
3230	Magazine Blower Slide Tube, Left	3297	Hex Nut
3231	Magazine Blower Slide Tube, Right	3298	Magazine Drive Pawl Lifter Spring
3233	Magazine Blower Outlet	3299	Magazine Gear Cover
3234	Magazine Blower Pipe Spring	3301	Magazine Gear
3235	Magazine Blower Pipe Handle	3302	Magazine Trip Plate
3236	Allen Head Set Screw	3303	Magazine Drive Shaft
3240	Thumb Screw	3304	Magazine Tape Drum Top, Not Threaded
3241	Stock Sensor Arm	3305	Magazine Tape Drum Bottom, Threaded
3242	Stock Sensor Arm Adjustment Casting	3306	Flat Head Machine Screw
3243	Stock Sensor Arm Spring	3307	Woodruff Key
3244	Stock Sensor Arm Rod	3308	Magazine Tape
3245	Lock Ring	3350	Magazine Bottom Rail
3250	Magazine Lock Handle	3351	Magazine Side Guide, Left
3251	Magazine Lock Handle Spring	3352	Magazine Side Guide, Right
3252	Hex Head Cap Screw	3355	Magazine Combers, Side
3253	Hex Nut	3356	Round Head Machine Screws
3254	Drive Screw	3357	Center Comber Holder
3260	Stock Sensor Roller Casting	3358	Center Comber
3261	Allen Head Set Screw	3359	Round Head Machine Screw
3262	Hex Nut	3360	Magazine Side Plate Cross Rods
		3361	Hex Head Cap Screw

Size and Serial Number of Press must be given.

PRINTED IN U. S. A.



on the KLUGE
AUTOMATIC PLATEN PRESS