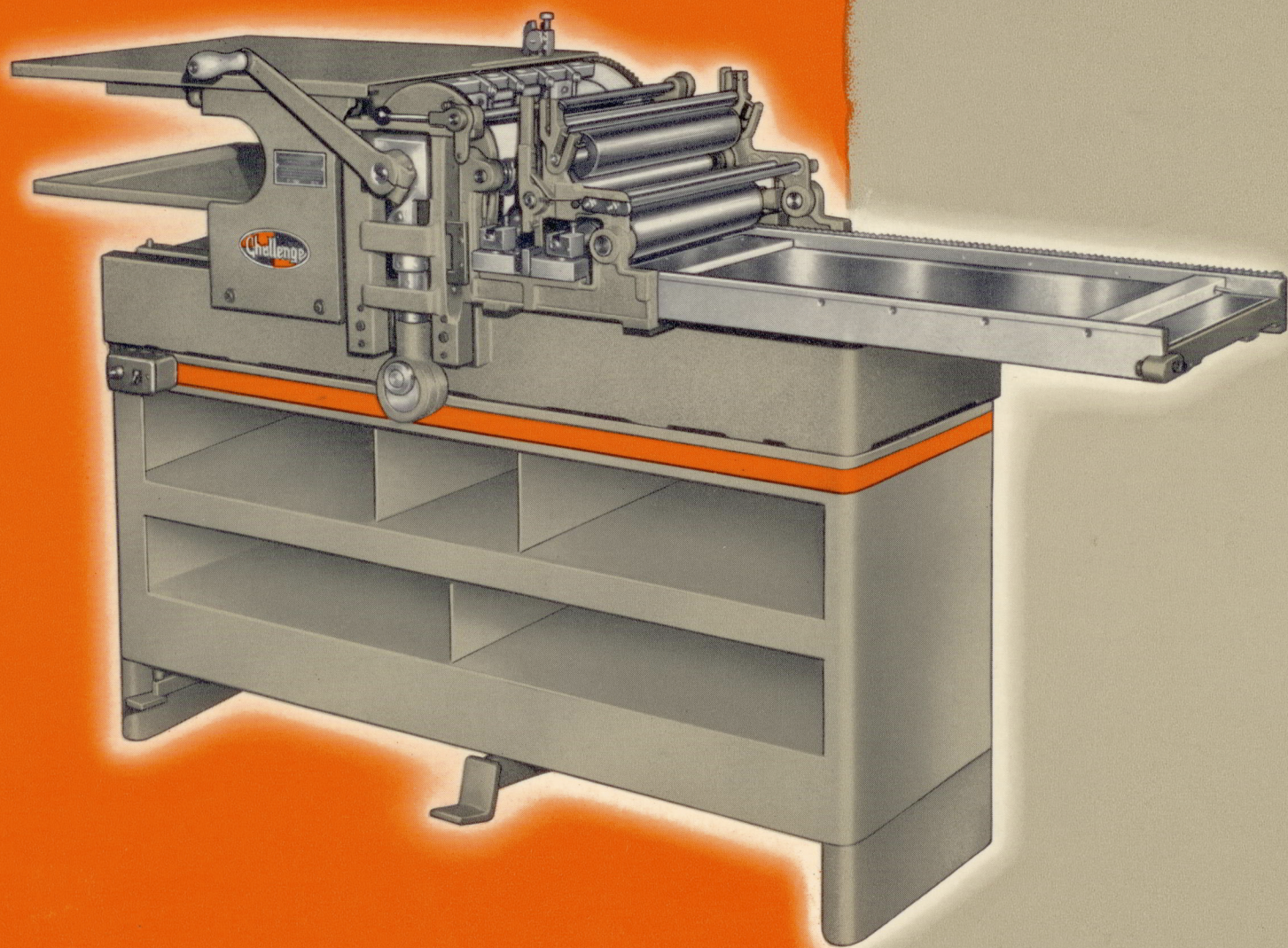
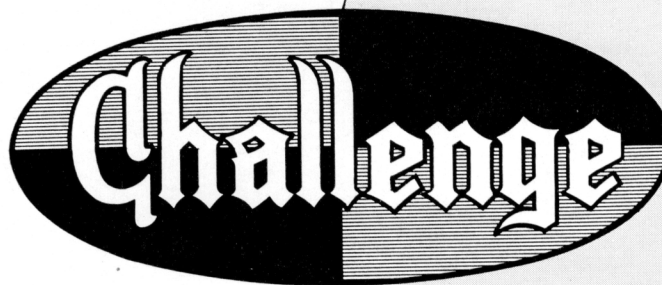
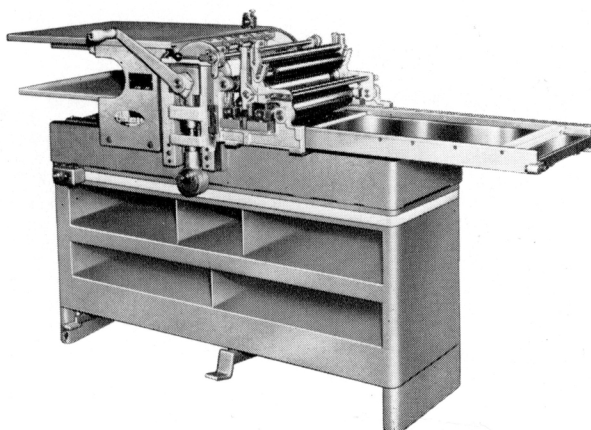
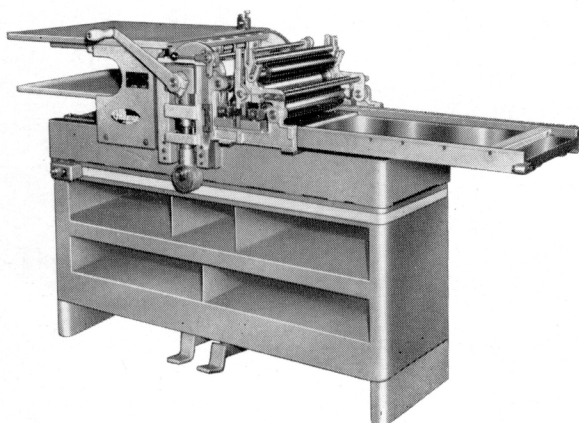
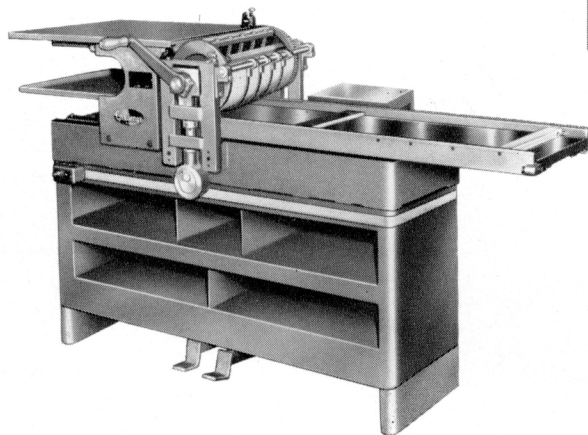
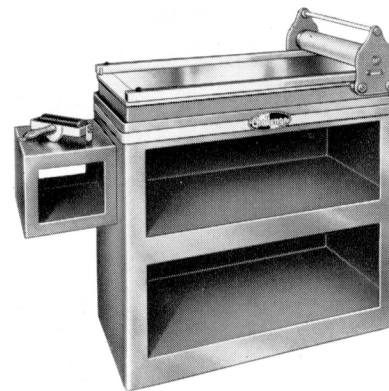
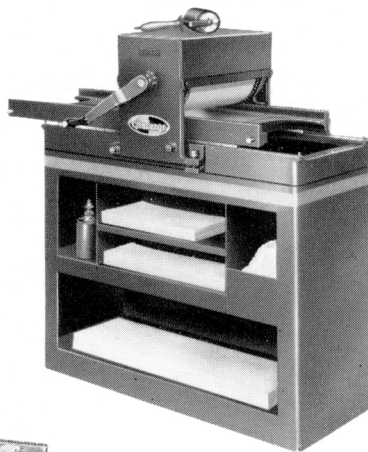


Challenge

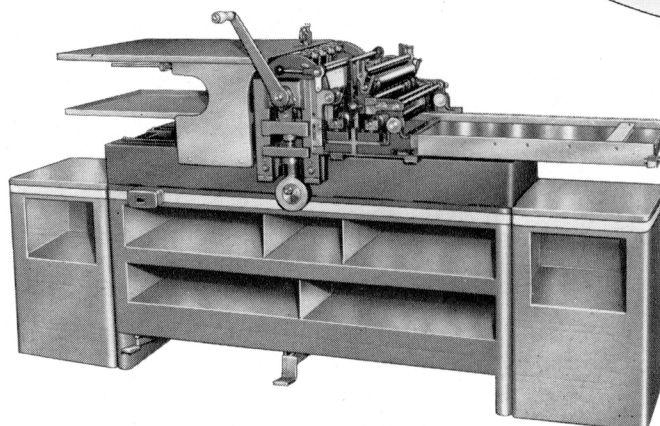
**PROOF
PRESSES**



**YOUR
CHOICE OF
SIX
MODELS**



Reg. U. S. Pat. Off.





TRADE-MARK ®

A Proof Press For YOUR Shop Needs

Challenge offers you a choice of a wide range of proof presses to meet many types of shop needs.

FOR TYPOGRAPHERS and ENGRAVERS — Challenge has the new GP Proof Press with power inking, automatic grippers, automatic impression trip and easy wash-up tip-out rollers. Here is a quality reproduction proof press at less cost than comparable units.

FOR PRINTERS — The entire wide range of Challenge models is available to meet the varying needs of printers. The GP or KP models are recommended for quality reproduction proofing. Where simple galley proofs are required, the inexpensive, sturdy Style E and H units are suggested.

FOR NEWSPAPERS, COMBINATION NEWSPAPER & JOB SHOPS Many models are available to meet varying shop needs. Important also is the fact that almost all Challenge Proof Presses take a full 23½-inch newspaper galley.

FOR SCHOOLS — The inexpensive and rugged E and H models are very popular with schools. Where more exacting proofing quality is needed, the Style K is recommended.

With the exception of the H model, all Challenge Proof Presses employ the "Cylinder Press" method of proofing. The reciprocating bed rides on precision ground, anti-friction rollers for smooth operation and positive register during the entire printing cycle. The operator pulls his proofs from one position, without walking back and forth. It's the easy, natural way to pull a good proof.

Sold Through Authorized Dealers

Challenge Proof Presses are sold exclusively through Authorized Challenge Printing Equipment Dealers, selected on the basis of experience, facilities and service as the outstanding companies in their areas. Your local Challenge Dealer is prepared to assist you with complete information on all Challenge Equipment.

MEET THE GROWING NEED FOR BETTER PROOFS

Are your present proofing facilities inadequate . . . outdated? The increased trend towards offset printing as well as the increased amount of close register and color work in all types of shops, small and large, has brought a growing need for better proofing.

Furthermore, better proofing facilities eliminate expensive and embarrassing mistakes, improve customer satisfaction.

CHALLENGE PROOF PRESSES

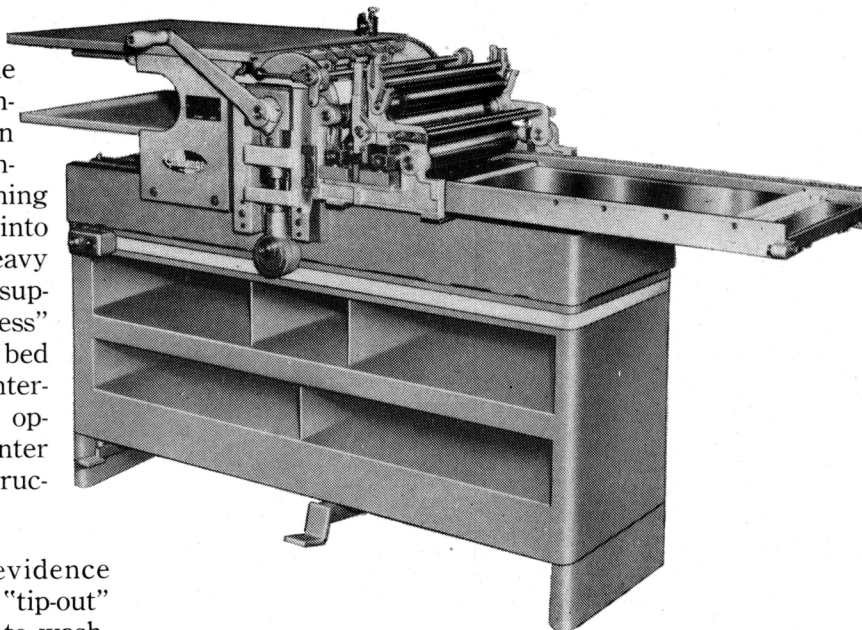
Also Create New Profit Opportunities . . .

With a new Challenge Proof Press, such as the new GP Model, you can expand your proofing facilities to meet "repro" proofing requirements — get more advantages from your investment in your typographic department. It also enables you to make your own duplicator plates or small offset press plates direct from type and cuts. You can provide good reproduction proofs for engravings or do close register color proofing work.



Style GP Challenge® Proof Press

In designing and perfecting the Style GP Proof Press, Challenge engineers have given the modern printer a massive machine of unyielding accuracy and smooth-running performance. Its strength is built into its foundation — with new extra-heavy base forming the perfect under-support for Challenge's "Cylinder Press" principle of proofing. Anti-friction bed rollers, closely spaced at 1½-inch intervals on extra-wide tracks for easy operation, are aligned nearer the center of the bed for balance and added structural strength.



Simplicity of operation is in evidence throughout—as exemplified by the "tip-out" rollers, which enable the operator to wash-up without removing rollers from machine. Feed board slides away from the cylinder to permit ample clearance for packing changes.

Equipped with adjustable micrometer feed guides for consistency of register. Automatic grippers that can be opened by foot pedal at any position of the cylinder for the removal of short sheets. Automatic trip, which can also be operated by foot pedal.

Mounted on a modern steel storage cabinet, the style GP Proof Press is a valuable addition to any shop where quality reproduction proofing is a prime requisite.

No. 15 . . . GP Proof Press is equipped with a .040" hard packing and type high bed (.918").

Special bed with galley thickness plate can be furnished on special order at extra charge.

Special Data on Style 15 GP Proof Press and Equipment

Specifications	15GP
Bed Size.....	15¼x26 ins.
Form Size.....	14½x23½ ins.
Net Weight.....	1160 lbs.
Shipping Weight, domestic.....	1450 lbs.
Weight, boxed for export.....	1600 lbs.
Cubic Measurements (export).....	40 cu. ft.
Floor Space, bed extended.....	31x86 ins.
Floor Space, Bed centered.....	31x53 ins.
Height, floor to bed.....	33 ins.
Height, overall.....	43 ins.

EQUIPMENT:—The GP model is furnished with a type-high bed (.918), hard cylinder packing (.040), cylinder grippers, sliding feed board, delivery board, handy locking bar, type-high gage, wrenches, welded steel stand with shelves and compartments for paper, ink cans, etc., and power inker equipped with two 3-inch form rollers, 2¾-inch steel vibrator, 2¼-inch composition and 1-inch rider rollers, one extra set roller cores. Inker powered by 110 or 220 volt, 60 cycle, single-phase A.C. motor.

Special bed (.968) with galley thickness plate furnished on special order, extra charge.

OPTIONAL EQUIPMENT:—Auxiliary Stand—for placing at either or both ends of Proof Press, Floor space— inches 16½x16½.

Net Weight, lbs. 40

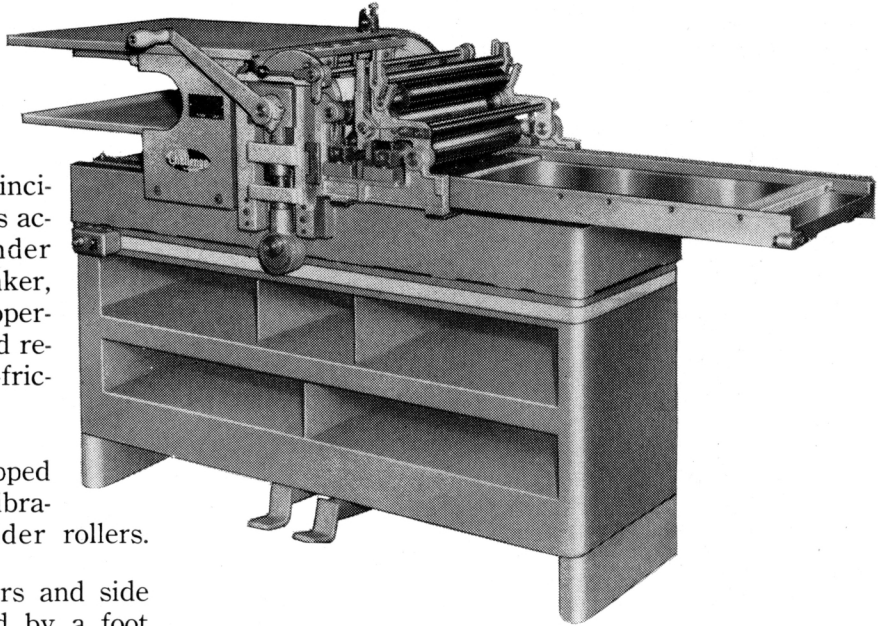
Shipping Weight — export lbs. 80

Shipping Weight, domestic, lbs. 60

Cubic Measurement, (export) cu. ft. 4

Style KP Challenge® Proof Presses

The automatic inking mechanism is power driven on the Style KP Proof Press to provide the ultimate in ease of operation. Designed on the Challenge "Cylinder Press" principle, the Style KP Proof Press is actually a hand operated cylinder press with automatic power inker, micrometer side guide, gripper-equipped revolving cylinder and reciprocating bed riding on anti-friction rollers.



The automatic inker is equipped with two form rollers, steel vibrator, and composition and rider rollers.

Sheets are fed to the grippers and side guide. Grippers are controlled by a foot pedal and can be opened at any position of the cylinder. A foot trip prevents offset on the cylinder packing during the return stroke of the press. The feed board slides back to give full access to the cylinder packing.

The Style KP will produce the highest quality work, including register proofs. It is highly recommended for etch proofs and short run jobs such as ad reprints, imprinting, etc.

Made In Two Sizes

No. 15KP... takes a maximum form 14½x23½ inches.

No. 20KP... takes a maximum form 19½x23½ inches.

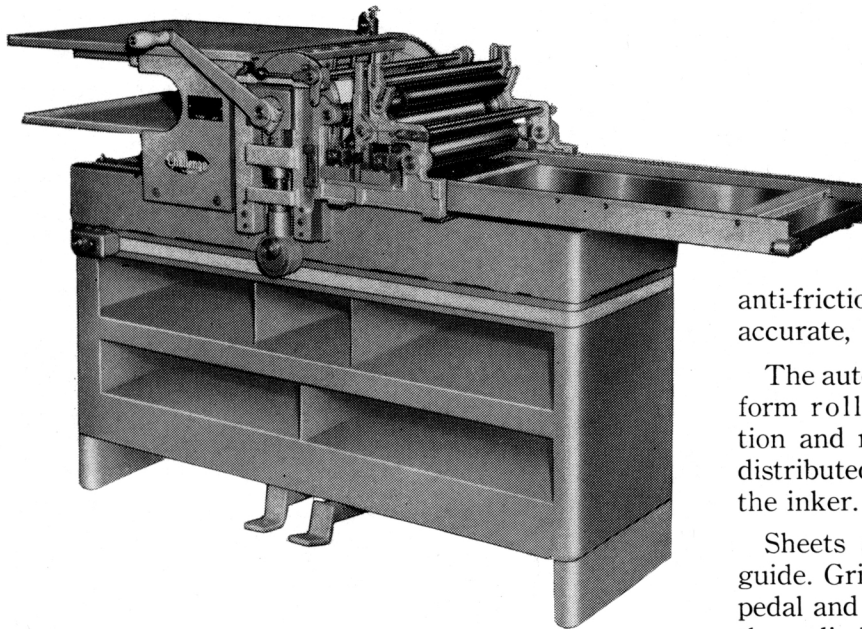
Both models come complete, as shown, with welded steel stand and power inker. The stand has shelves and compartments for paper, ink cans and rags. Finished in olive green with bright red trim.

Special Data on Style KP Challenge Proof Presses and Equipment

Specifications	15 KP	20 KP
Bed Size.....	15¼x26 ins.	20¼x26 ins.
Form Size.....	14½x23½ ins.	19½x23½ ins.
Net Weight.....	1060 lbs.	1235 lbs.
Shipping Weight, domestic.....	1350 lbs.	1520 lbs.
Weight, boxed for export.....	1500 lbs.	1700 lbs.
Cubic Measurements (export).....	40 cu. ft.	44 cu. ft.
Floor Space, bed extended.....	31x86 ins.	36x86 ins.
Floor Space, bed centered.....	31x53 ins.	36x53 ins.
Height, floor to bed.....	33 ins.	33 ins.
Height, overall.....	43 ins.	43 ins.

EQUIPMENT:—Cylinder grippers, sliding feed board, delivery board, galley plate, form clamp, handy locking bar, cylinder packing, type high gage, wrenches, welded steel stand with shelves and compartments for paper, ink cans, etc., and power inker equipped with two 3-inch form rollers, 2¾-inch steel vibrator, 2¼-inch composition and 1-inch rider rollers, one extra set of roller cores. Inker powered by 110 or 220 volt, 60 cycle, single-phase A.C. motor—115 or 230 volt D.C. motor.

Style KA Challenge® Proof Presses



Made In Two Sizes

No. 15KA . . . takes a maximum form 14½x23½ inches.

No. 20KA . . . takes a maximum form 19½x23½ inches.

Both models come complete, as shown, with welded steel stand and automatic inker. The stand has shelves and compartments for paper, ink cans and rags. Finished in olive green with bright red trim.

Here's the Challenge "Cylinder Press" principle of proofing at its best. The Style KA proof press is, in effect, a hand operated cylinder press with automatic inker, micrometer side guide, gripper-equipped revolving cylinder and reciprocating bed. The bed rides on anti-friction rollers for easy operation and accurate, unyielding impressions.

The automatic inker is equipped with two form rollers, steel vibrator, and composition and rider rollers. Ink may be rapidly distributed by means of a hand crank on the inker.

Sheets are fed to the grippers and side guide. Grippers are controlled by a foot pedal and can be opened at any position of the cylinder. A foot trip prevents offset on the cylinder packing during the return stroke of the press. The feed board slides back to give full access to the cylinder packing.

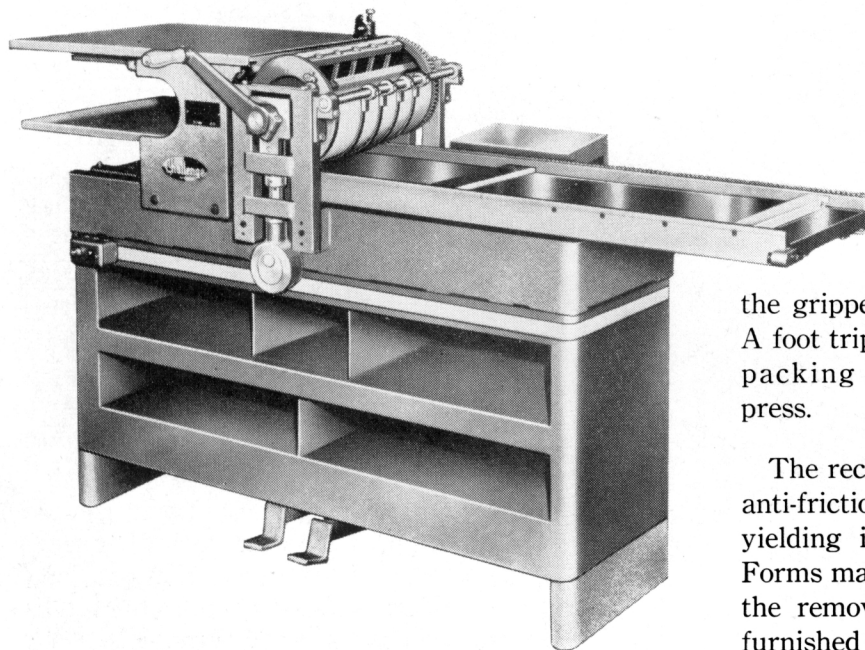
The Style KA will produce the highest quality work, including register proofs. It is highly recommended for etch proofs and short run jobs such as ad reprints, imprinting, etc. There is nothing like it for printers, engravers and typographers!

Special Data on Style KA Challenge Proof Presses and Equipment

Specifications	15 KA	20 KA
Bed Size	15¼x26 ins.	20¼x26 ins.
Form Size	14½x23½ ins.	19½x23½ ins.
Net Weight	1040 lbs.	1215 lbs.
Shipping Weight, domestic	1275 lbs.	1485 lbs.
Weight, boxed for export	1410 lbs.	1620 lbs.
Cubic Measurements (export)	40 cu. ft.	44 cu. ft.
Floor Space, bed extended	30x86 ins.	35x86 ins.
Floor Space, bed centered	30x53 ins.	35x53 ins.
Height, floor to bed	33 ins.	33 ins.
Height, overall	43 ins.	43 ins.

EQUIPMENT:—Cylinder Grippers, sliding feed board, delivery board, galley plate, form clamp, handy locking bar, cylinder packing, wrenches, welded steel stand with shelves and compartments for paper, ink cans, rags, etc., and automatic inker with two 3-inch form rollers, 2¾-inch steel vibrator, 2¼-inch composition and 1-inch steel rider rollers, one extra set of roller cores.

Style K Challenge® Proof Presses



This rigid, ruggedly constructed proof press adds **another feature** to the Challenge "Cylinder Press" principle of proofing. It has **cylinder grippers** that can be opened by foot pedal control at any position of the cylinder. Sheets are fed to

the grippers and a micrometer side guide. A foot trip prevents offset on the cylinder packing during the return stroke of the press.

The reciprocating bed rides smoothly on anti-friction rollers, assuring accurate, unyielding impressions and easy operation. Forms may be proofed in the galley or on the removable zinc galley plate which is furnished with the press.

Made In Two Sizes

No. 15K . . . takes a maximum form 14½x23½ inches.

No. 20K . . . takes a maximum form 19½x23½ inches.

Both models come complete, as shown.

The machine is equipped with feed board and delivery board. The feed board slides back to give full access to the cylinder packing. A combination ink plate and rag box is mounted at the back of the sturdy stand which has shelves for paper and ink cans. An 8-inch Challenge hand roller is also included.

Special Data on Style K Challenge Proof Presses and Equipment

Specifications	15K	20K
Bed Size	15¼x26 ins.	20¼x26 ins.
Form Size	14½x23½ ins.	19½x23½ ins.
Net Weight	975 lbs.	1170 lbs.
Shipping Weight, domestic	1215 lbs.	1440 lbs.
Weight, boxed for export	1350 lbs.	1570 lbs.
Cubic Measurements (export)	40 cu. ft.	40 cu. ft.
Floor Space, bed extended	33x86 ins.	38x86 ins.
Floor Space, bed centered	33x53 ins.	38x53 ins.
Height, floor to bed	33 ins.	33 ins.
Height, overall	43 ins.	43 ins.

EQUIPMENT:—Cylinder grippers, sliding feed board, delivery board, galley plate, form clamp, handy locking bar, cylinder packing, wrenches, welded steel stand with shelves for paper and ink cans, combination rag box and ink plate and 8-inch Challenge hand roller with core (not cast).



Reg. U. S. Pat. Off.

Challenge® Proof Presses — Style E

Modern in design, compact in size, easy to operate, this advanced style proof press incorporates the new Challenge "cylinder press" principle of proofing. It is precision-built to production press standards, the reciprocating bed rolling smoothly on the patented Challenge anti-friction bearings. Accurate, unyielding impressions are assured.

The large, full-size ink plate is conveniently located for the operator and serves as a cover for cylinder. It is removable for changing packing on cylinder.

The bed is equipped with a removable galley plate, so that proofs can be taken from either galley or type form. A wide variety of work can be handled.

The press is mounted on an attractively finished, all-steel stand which provides ample storage space for paper, rags and ink. One 8-inch Challenge Hand roller (not cast) is also included.



No. 1418-E handles job galleys up to and including 12x18 inches.

No. 1425-E handles full length news galleys up to five columns wide.

Furnished With or Without Steel Stand.
Available with bed grippers.

Special Data on Challenge Proof Presses and Equipment

Specifications	No. 1418-E	No. 1425-E
Bed Size	14¼x19¾ ins.	14¼x25¾ ins.
Form Size	13½x17½ ins.	13½x23½ ins.
Net Weight	180 lbs.	250 lbs.
Shipping Weight, Domestic	240 lbs.	320 lbs.
Weight, boxed for Export	280 lbs.	380 lbs.
Cubic Measure (Export)	10 cu. ft.	14 cu. ft.
Floor Space (Bed Centered)	22½x28½ ins.	22½x35½ ins.
Height on Stand (Floor to Bed)	33 ins.	33 ins.
Height on Stand (Overall)	41 ins.	43 ins.

Special Data on Challenge Proof Press Stands

Specifications	For No. 1418	For No. 1425
Net Weight	65 lbs.	80 lbs.
Shipping Weight, Domestic	100 lbs.	125 lbs.
Weight, boxed for Export	125 lbs.	150 lbs.
Cubic Measure (Export)	10 cu. ft.	13 cu. ft.
Floor Space	17x27½ ins.	17x34¼ ins.

EQUIPMENT: Cylinder packing, galley plate, wrenches, ink plate and Challenge hand roller with core (not cast).

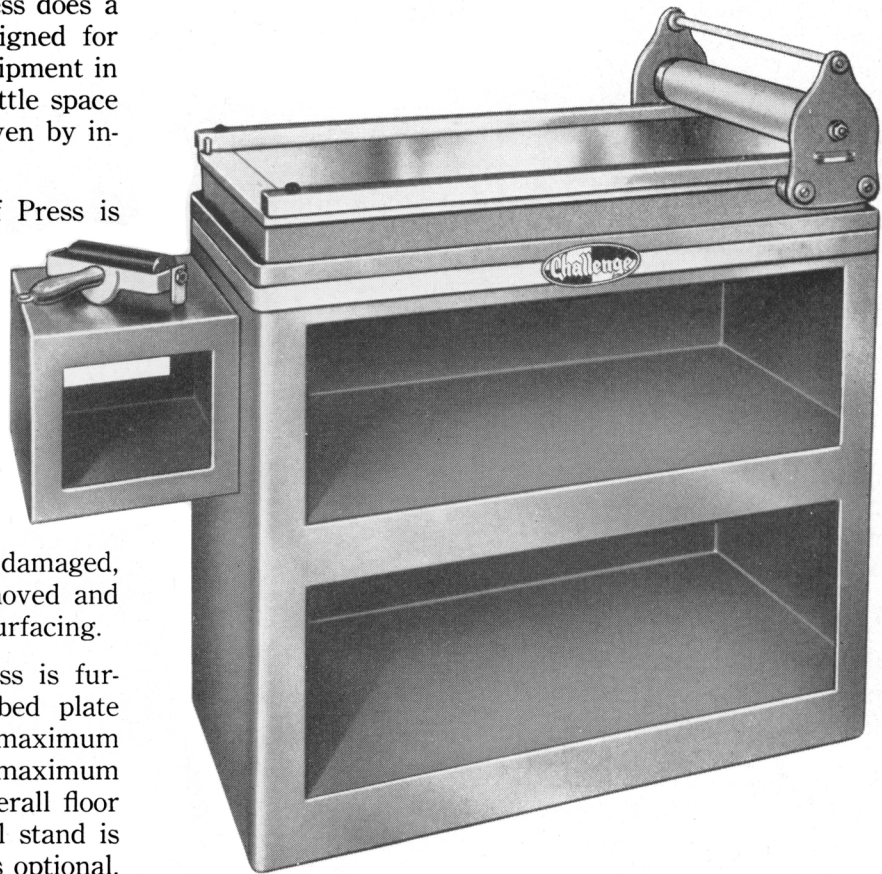
Style 1534 H Challenge® Proof Presses

This little low-cost proof press does a big job in a better way. Designed for small shops or as auxiliary equipment in large plants, it requires very little space and can be easily operated—even by inexperienced help.

The Challenge 1534H Proof Press is built for a wide range of work. It will handle ad service and flat proofs . . . do imprinting and many other short-run jobs. The three-inch diameter, rubber-covered impression cylinder is ball bearing mounted for smooth operation and produces high quality work. If the rubber surface becomes damaged, the cylinder can be easily removed and returned to the factory for re-surfacing.

The Style 1534 H Proof Press is furnished with galley thickness bed plate and lock-up pins. It will take a maximum form 14¾x28½ inches and a maximum sheet 15x34½ inches. The overall floor space of the press on the steel stand is 20¼x35½ inches. The stand is optional.

Challenge Safety Brayer (6 inches) with cast roller sold separately. The brayer is designed so that neither the handle nor the roller rests on the ink plate when not in use.



Proof Press is furnished with or without welded Steel Stand which provides sturdy support and has compartments for proof paper, ink cans, and rags. Stand is attractively finished in metallic grey. Combination Rag Box and Ink Plate can be attached to either end of stand as desired.

Special Data on Style 1534 H Challenge Proof Presses and Equipment

Specifications	With Stand	Without Stand	Stand Only
Bed Size.....	15¼x34½ ins.	15¼x34½ ins.
Maximum Form.....	14¾x28½ ins.	14¾x28½ ins.
Maximum Sheet.....	15x34½ ins.	15x34½ ins.
Floor Space.....	20½x46 ins.	20½x37 ins.	17½x35 ins.
Height.....	38½ ins.	8 ins.	30½ ins.
Net Weight.....	240 lbs.	152 lbs.	88 lbs.
Shipping Weight, Domestic.....	275 lbs.	175 lbs.	100 lbs.
Shipping Weight, boxed for Export.....	340 lbs.	200 lbs.	140 lbs.
Cubic Measure (Export).....	22 cu. ft.	7 cu. ft.	15 cu. ft.

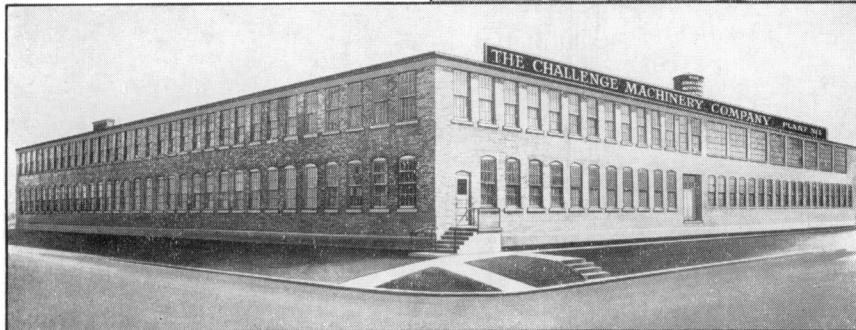
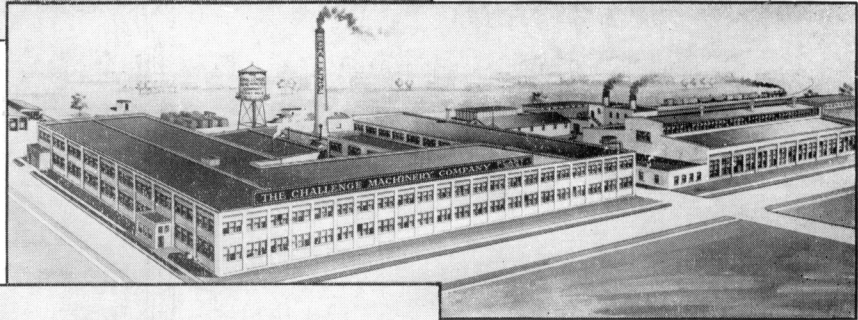
EQUIPMENT: Style 1534 H Proof Press only, including galley thickness bed plate and lock-up pins. Extra:—Steel Stand with ink plate 10x12 inches (Ink Plate may also be ordered separately); 6-inch Safety Brayer with cast roller; additional 6-inch cast brayer rollers.

THE CHALLENGE MACHINERY COMPANY



PLANT NO. 1
Grand Haven, Mich.
61,000 sq. feet of
floor space, including
general office.

PLANT NO. 2
Grand Haven, Mich.
122,000 sq. feet of
floor space, including
foundry.



PLANT NO. 3
Grand Haven, Mich.
57,000 sq. feet of
floor space.

A WIDE RANGE OF PRINTING PRODUCTS

Challenge specializes in servicing the needs of the graphic arts industry, manufacturing a complete line of printing equipment and machinery of advanced design and rugged construction — at competitive prices. In addition to the Proof Presses described in this catalog, the complete Challenge line includes equipment shown below.

A WELL ESTABLISHED ORGANIZATION

The Challenge Machinery Company has one of the best reputations for good products and good service in the printing industry. For over 50 years Challenge has been producing products of outstanding merit.

EXCELLENT MANUFACTURING FACILITIES

Three large plants covering more than five acres of ground, a production force numbering in the hundreds and the most modern manufacturing equipment are several of the reasons why Challenge brings you the best products at the most reasonable cost.

GOOD SERVICE

A nationwide organization of authorized dealers, extends Challenge parts and service facilities to your local area. Well designed and well manufactured products and good service mean a minimum of "downtime" when you buy Challenge Products.

**PROOF PRESSES · PAPER CUTTERS · PAPER DRILLS
MISCELLANEOUS PRINTING SUPPLIES AND EQUIPMENT**

