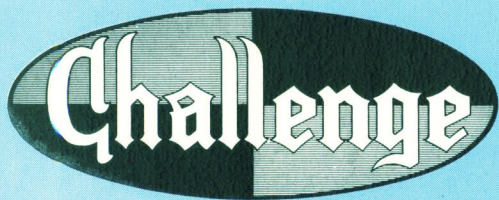


# 2

**two important new**



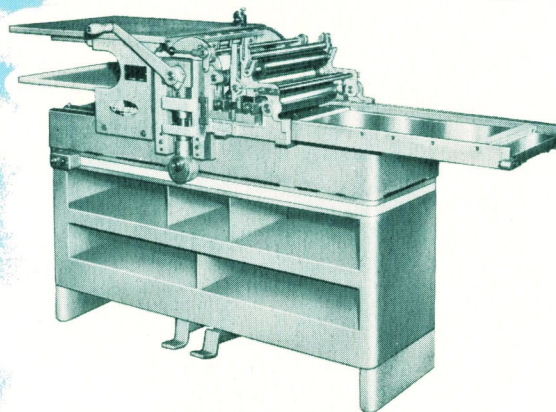
## **PROOF PRESSES**

combining all the advantages of

### **CYLINDER-PRESS OPERATION**

with the unyielding accuracy of

### **NEW HEAVY-DUTY DESIGN**



**SERIES K**

## **CHALLENGE PROOF PRESSES**

*Styles KP, KA and K*

(FORM SIZES — 14½ x 23½ to 19½ x 23½)

These new, improved Challenge Proof Presses give you all these advantages of famous Challenge "cylinder-press" operation . . . Challenge Precision engineering . . . Challenge heavy-duty construction—plus an attractive popular price. Here are the outstanding features:—

Extra-rigidity of heavy base and bed. Smooth performance of wide tracks and closely spaced, anti-friction bed rollers. Smartness of new steel storage stand. Plus the advantages of cylinder grippers . . . micrometer side guide . . . and foot operated trip.

KP, KA and K models are furnished with the bed (.968) to permit proofing forms in the galley or on the bed, .050 zinc galley plate furnished.

Can be furnished with special type-high bed (.918), extra charge.

## **THE CHALLENGE MACHINERY COMPANY**

Office, Factories and Show Room

**GRAND HAVEN, MICHIGAN**

*Over 50 Years in Service of the Graphic Arts*

DEALERS IN ALL PRINCIPAL CITIES



# **what's new**

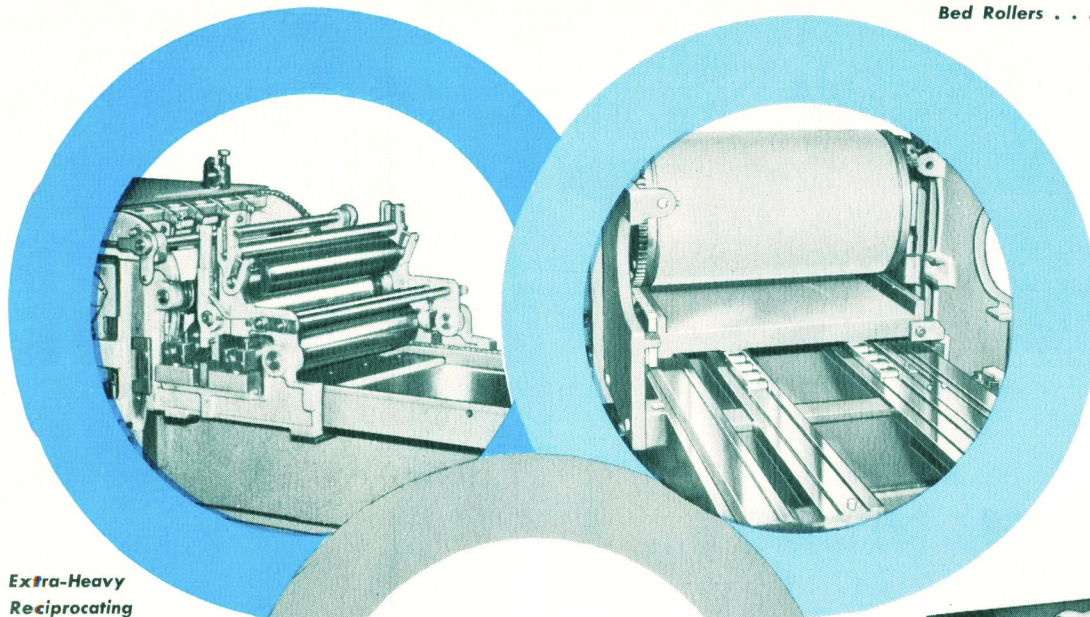
**in  
REPRODUCTION  
PROOFING!**



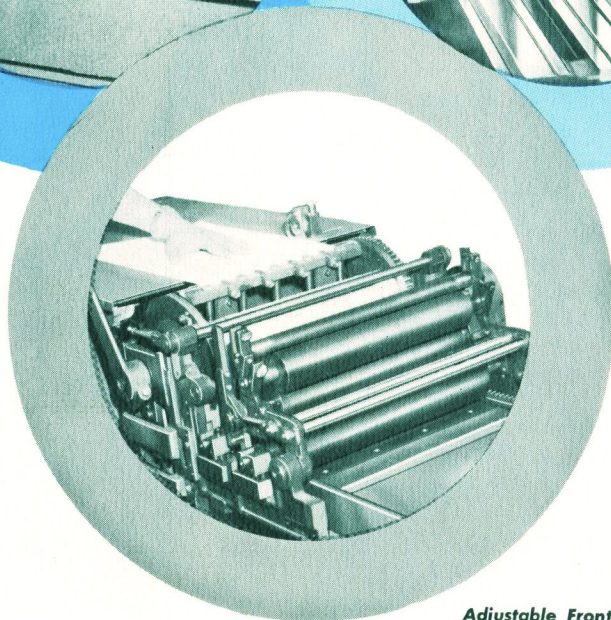
TRADE-MARK ®



*Wider and More  
Bed Rollers . . .*



*Extra-Heavy  
Reciprocating  
Bed . . .*

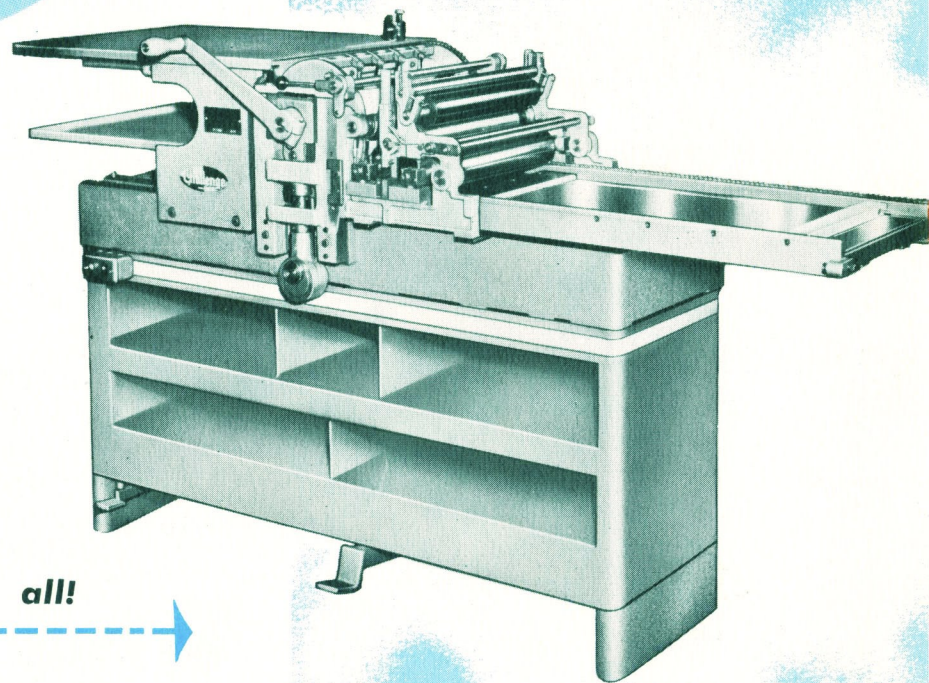


*Adjustable Front and  
Side Guides.*

## **Weight, balance and performance!**

Put them all together and you have the new Challenge GP Proof Press. Loaded with advanced features that make it the outstanding press in its class today: Massive reciprocating bed . . . wider and more precision ground, anti-friction bed rollers, . . . extra wide tracks, aligned close to the center of the bed . . . 2½" agitating, improved steel vibrator . . . adjustable front and side guides . . . automatic grippers . . . automatic trip . . . easy wash-up "tip-out" rollers and sliding feed board for simplified packing.

The style GP Proof Press is equipped with .040" hard packing and type high bed, (.918) to accommodate all forms up to 14½ x 23½. Special bed with galley thickness plate available on special order. Get complete details and prices now.



*the strongest, smoothest, surest press of them all!*

# **THE CHALLENGE** STYLE GP **PROOF PRESS**